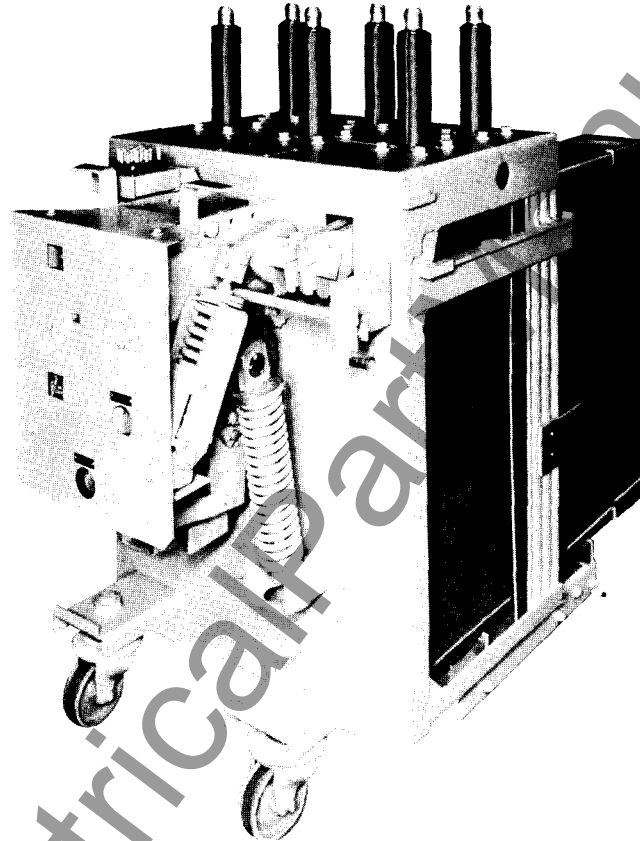


RENEWAL PARTS

MAGNE-BLAST CIRCUIT BREAKER TYPE AM-13.8 - 500-7

NOTE: The ML-13 Mechanism is not included in this publication.
Refer to GEF-4379 for ML-13 Mechanism renewal parts.



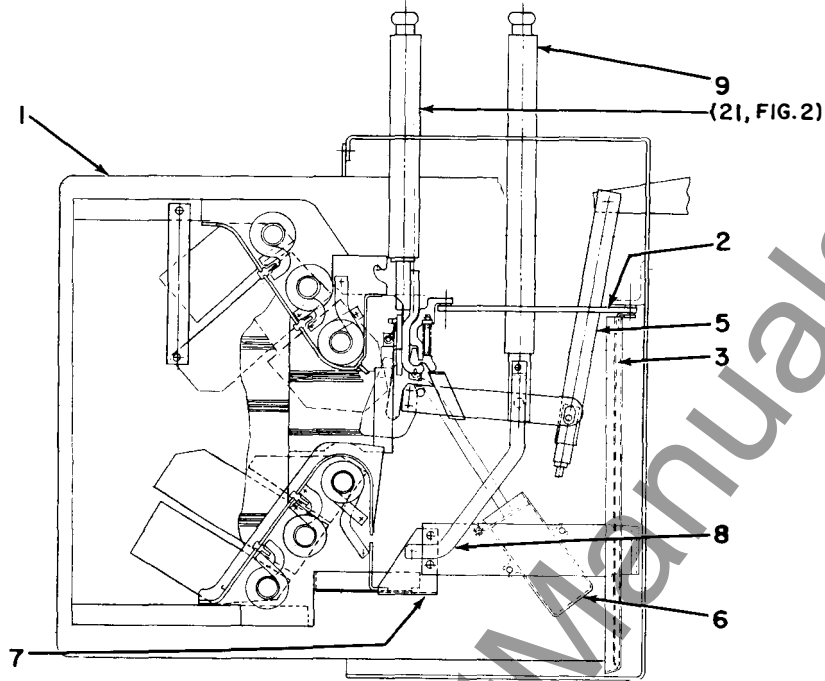
ORDERING INSTRUCTIONS

1. Always specify complete nameplate data of the breaker.
2. Specify the quantity, catalog number (if listed), reference number (if listed), description, and this bulletin number.
3. Standard hardware such as screws, bolts, nuts, washers, etc., is not listed in this bulletin. Such items should be purchased locally.
4. For prices, refer to the nearest office of the General Electric Company.

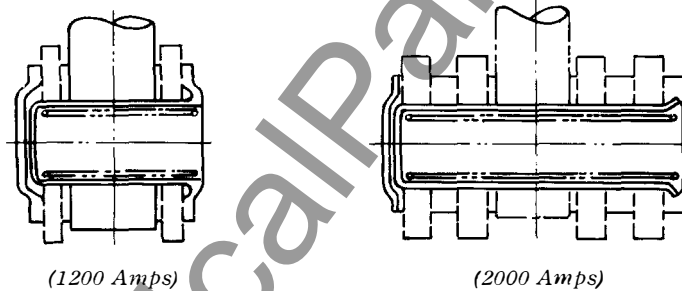
When ordering renewal parts, give quantity, catalog number, description of each item required, and complete nameplate reading.

GENERAL  ELECTRIC

TYPE AM-13.8 MAGNE-BLAST CIRCUIT BREAKER



Breaker, Type AM-13.8-500



Hinge pin assembly (Ref. No. 10)

Fig. 1. Cross-section views of breaker and hinge pin

NOTE: For recommended parts for normal maintenance, refer to back cover.

AM-13.8-500 BREAKER (REFER TO FIG. 1)

Ref. No.	Type	Catalog Number for		No. Req'd	Description
		1200 Ampere	2000 Ampere		
1	All	073-152C5910G001	073-152C5910G001	3	Box barrier
2	Δ	132C2738P003	132C2738P005	6	Horizontal barrier
2	B	132C2738P004	132C2738P005	6	Horizontal barrier
3	All	802B0764G001	802B0764G001	3	Vertical barrier
*4	All	265C0162P017	265C0162P017	2	Side barrier
5	All	281B0708G001	281B0708G001	3	Operating rod assembly
6	All	263B0292P002	263B0292P002	3	Booster cylinder
7	All	258C0619G012	258C0619G012	3	Interrupter clamp
8	All	688C0589P001	688C0589P001	3	Connection bar
9	All	845D0123G003	958C0683G003	3	Front bushing
10	All	898B0282G001	898B0282G002	3	Hinge assembly

Δ All except breakers with "B" in suffix
 * Not illustrated

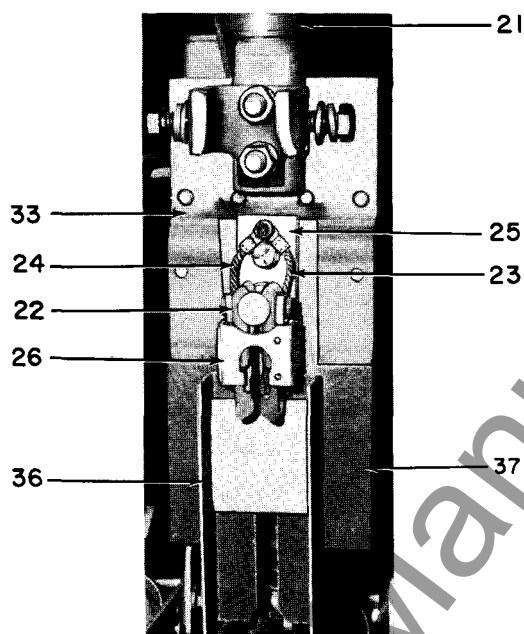


Fig. 2. Rear bushing assembly (Ref. No. 20)

REAR BUSHING ASSEMBLY (REFER TO FIG. 2 AND 4)

Ref. No.	Type	Catalog Number for		No. Req'd	Description
		1200 Ampere	2000 Ampere		
20	Δ	073-213X0344G052	073-213X0344G054	3	Rear bushing assembly
20	B	213C0344G053	213X0344G054	3	Rear bushing assembly
21	All	845D0124G003	958C0684G005	3	Bushing
22	All	236C0791G002	236C0791G002	3	Arcing contact assembly
23	All	236C0791G001	236C0791G001	3	Flexible connector, right
24	All	236C0791G004	236C0791G004	3	Flexible connector, left
25	All	152C5907G001	152C5907G001	3	Arcing contact support
26	All	236C790G9	236C790G9	3	Stationary arcing contact
†27	All	6445087P004	6445087P004	3	Buffer
*28	Δ	6557243P001	6557243P002	6	Buffer clamp
*28	B	6557243P002	6557243P002	6	Buffer clamp
†29	Δ	414A0181P001	-----	12	Primary contact finger spring
†29	B	121A5964P001	-----	18	Primary contact finger spring
†29	All	-----	121A5964P001	18	Primary contact finger spring
*30	B	3663094P005	-----	18	Spacer
*30	All	-----	3663094P005	18	Spacer
†31	Δ	114C5382P002	-----	12	Primary contact finger
†31	B	114C5382P002	-----	18	Primary contact finger
†31	All	-----	114C5382P002	18	Primary contact finger
†32	Δ	828C0782P013	962C0778P002	3	Contact finger retainer
†32	B	962C0778P002	962C0778P002	3	Contact finger retainer
33	Δ	258C0666P009	962C0778P011	3	Contact support
33	B	962C0778P011	962C0778P011	3	Contact support
*34	Δ	N312P2542B	-----	12	Spring guide
*34	B	N312P2542B	-----	18	Spring guide
*34	All	-----	N312P2542B	18	Spring guide
†35	Δ	828C0782P004	962C0778P007	3	Spring retainer
†35	B	962C0778P007	962C0778P007	3	Spring retainer
36	All	195A7388G002	195A7388G002	3	Throat barrier assembly
37	All	132C2722P005	132C2722P4	3	Baffle

Δ All except breakers with "B" in suffix

* Not illustrated

† See Figure 4

TYPE AM-13.8 MAGNE-BLAST CIRCUIT BREAKER

RECOMMENDED PARTS FOR NORMAL MAINTENANCE

Fig. No.	Ref. No.	Type	Catalog Number for		No. Req'd	Description
			1200 Ampere	2000 Ampere		
1	5	All	073-281B0708G001	073-281B0708G001	3	Operating rod assembly
1	6	All	263B0292P002	263B0292P002	3	Booster cylinder
3	23	All	236C0791G001	236C0791G001	3	Flexible connector, right
3	23	All	236C0791G004	236C0791G004	3	Flexible connector, left
3	22	All	236C0791G002	236C0791G002	3	Arcing contact assembly
4	31		414A0180P001	-----	12	Primary contact finger spring
4	31	B	121A5964P001	-----	18	Primary contact finger spring
4	31	All	-----	121A5964P001	18	Primary contact finger spring
4	32		114C5382P002	-----	12	Primary contact finger
4	32	B	114C5382P002	-----	18	Primary contact finger
4	32	All	-----	114C5382P002	18	Primary contact finger
3	37	All	195A7388G002	195A7388G002	3	Throat barrier assembly
4	108		137A9164P003	-----	3	Primary contact
4	108		137A9164P004	-----	3	Primary contact
4	108	B	114C5382P004	-----	6	Primary contact
4	108	All	-----	114C5382P004	6	Primary contact
4	107	All	108B5543G001	108B5543G001	3	Arcing tip, movable
4	109	All	213X0343G092	213X0343G094	3	Tube and piston assembly
2	89	All	132C2737G009	132C2737G009	3	Throat cooler assembly, right
2	90	All	132C2737G010	132C2737G010	3	Throat cooler assembly, left
2	78	All	132C2735P007	132C2735P007	6	Lower runner barrier
2	81	All	108B5520P012	108B5520P012	3	Insulating plate
2	76	All	134C3547P016	134C3547P016	3	Lower runner shield, right
2	*77	All	134C3547P017	134C3547P017	3	Lower runner, shield, left
2	*80	All	265C0163P009	265C0163P009	6	Upper runner insulation
2	*79	All	802B0735P001	802B0735P001	6	Lower runner insulation

* Not illustrated

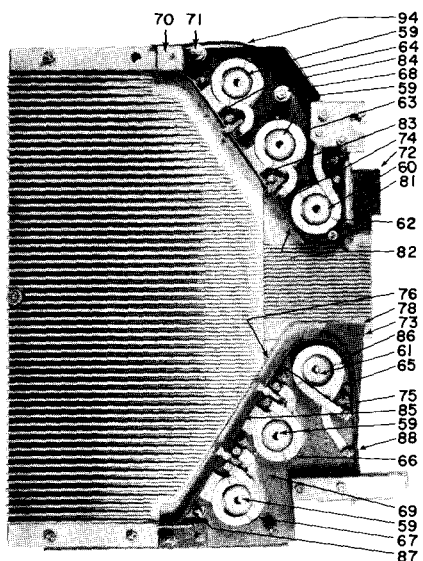
GENERAL ELECTRIC COMPANY
 SWITCHGEAR BUSINESS DEPARTMENT
 PHILADELPHIA, PA 19142



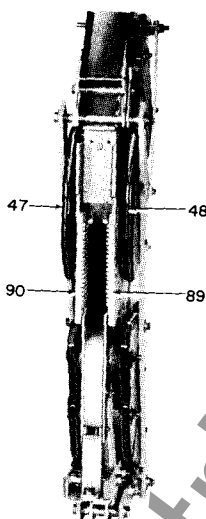
TYPE AM-13.8 MAGNE-BLAST CIRCUIT BREAKER

GEF-4440

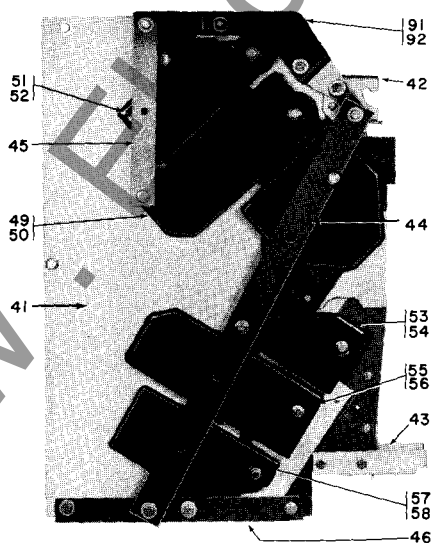
INTERRUPTER ASSEMBLY (REFER TO FIG. 3)



Side cover removed



Front view



Complete assembly

Ref. No.	Type	Catalog Number	No. Req'd	Description
40	All	073-213X0706G001	3	Interrupter assembly, complete
41	All	0264B0100G022	3	Interrupter sides
42	All	265C0150P021	3	Upper support
43	All	258C0615P015	3	Lower support
44	All	132C2738P001	6	Side brace
45	All	132C2738P002	6	Rear brace
46	All	265C0161P006	6	Lower brace
47	All	132C736G1	3	Upper pole piece, left
48	All	132C736G2	3	Upper pole piece, right
49	All	132C2736G003	3	Upper pole piece, left
50	All	132C2736G004	3	Upper pole piece, right
51	All	132C736G5	3	Upper pole piece, left
52	All	132C736G6	3	Upper pole piece, right
53	All	132C2736G015	3	Lower pole piece, left
54	All	132C2736G016	3	Lower pole piece, right
55	All	132C2736G009	3	Lower pole piece, left
56	All	132C2736G010	3	Lower pole piece, right
57	All	132C2736G011	3	Lower pole piece, left
58	All	132C2736G012	3	Lower pole piece, right
59	All	108B5521G005	12	Core, 2 13/16 inches
60	All	108B5521G004	3	Core, upper, 3 1/16 inches
61	All	108B5521G002	3	Core, lower, 2 11/16 inches
62	All	152C5905G001	3	Coil, upper
63	All	152C5905G014	3	Coil, upper
64	All	152C5905G015	3	Coil, upper
65	All	152C5905G009	3	Coil, lower
66	All	152C5905G017	3	Coil, lower
67	All	152C5905G018	3	Coil, lower
68	All	265C0163P008	6	Coil support, upper
69	All	619C0489P012	6	Coil support, lower
70	All	962C0750P003	3	Block, upper
71	All	414A0102P008	3	Stud, upper
72	All	213X0706G002	3	Upper runner assembly
73	All	213X0706G003	3	Lower runner assembly
74	All	456A0891P210	3	Sleeve, upper
75	All	456A0891P223	3	Sleeve, lower
76	All	134C3547P016	3	Lower runner shield, right
*77	All	134C3547P017	3	Lower runner shield, left
78	All	132C2735P007	6	Lower runner barrier
*79	All	802B0735P001	6	Lower runner insulation
*80	All	265C0163P009	6	Upper runner insulation
81	All	108B5520P012	3	Insulating plate
82	All	152C5909G001	3	Runner, upper
83	All	152C5909G002	3	Runner, upper
84	All	152C5909G003	3	Runner, upper
85	All	152C5909G002	3	Runner, lower
86	All	152C5909G004	3	Runner, lower
87	All	152C5909G005	3	Runner, lower
88	All	152C5909G006	3	Runner, lower
89	All	132C2737G009	3	Throat cooler assembly, right
90	All	132C2737G010	3	Throat cooler assembly, left
91	All	152C5907P003	3	Interrupter support, left
92	All	152C5907P008	3	Interrupter support, right
*93	All	137A9163P002	18	Bushing
94	All	962C0750P002	3	Dust shield
*95	All	414A0198P001	3	Insulation seal

* Not illustrated

Fig. 3. Interrupter assembly (Ref. No. 40)

TYPE AM-13.8 MAGNE-BLAST CIRCUIT BREAKER

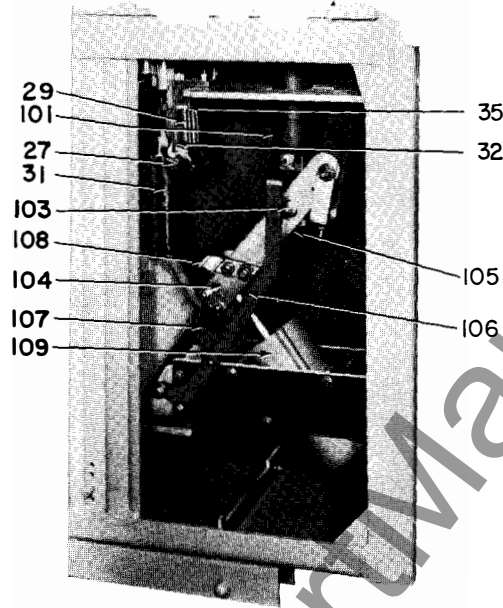


Fig. 4. Contact assembly (Ref. No. 100)

CONTACT ASSEMBLY (REFER TO FIG. 4)

Ref. No.	Type	Catalog Number for		No. Req'd	Description
		1200 Ampere	2000 Ampere		
100	Δ	073-213X0343G080	073-213X0343G082	3	Contact assembly
100	B	213X0343G081	213X0343G082	3	Contact assembly
101	All	845D0123G003	958C0683G003	3	Bushing
105	All	258C0666P007	258C0666P007	6	Contact arm
106	All	-----	258C0666P00f	6	Contact arm
107	All	108B5543G001	108B5543G001	3	Arcing tip, movable
108	Δ	137A9164P003	-----	3	Primary contact
108	Δ	137A9164P004	-----	3	Primary contact
108	B	114C5382P004	-----	6	Primary contact
108	All	-----	114C5382P004	6	Primary contact
109	All	213X0343G092	213X0343G094	3	Tube and piston assembly

Δ All except breakers with "B" in suffix

* Not illustrated