

# MERLIN GERIN

## molded case circuit breaker

The CM type covers continuous current ratings from 1250 to 3000A.

- 100% rated breaker
- reverse feeding
- high endurance
- selectivity up to 35,000A
- one frame size for 5 ratings
- reduced overall dimensions
- ease of installation
- maintenance free operation
- extensive list of accessories
- built-in ground fault protection
- mechanical fault indicator
- overcurrent trip switch
- push to trip

## solid state trip unit

Compact CM can be equipped with one of three types of solid state trip units to suit the individual requirements of the application. Each trip unit includes its own adjustment ranges and characteristics, increasing accuracy, reliability and versatility of the circuit breakers performance.

**compact CM**  
**CM 1250**  
**CM 1600**  
**CM 2000**  
**CM 2500**  
**CM 3000**

## characteristics

CM type 3-pole	ampere rating	UL listed interrupting ratings			
		current sensors			
		RMS Sym. Amps	240V	480V	600V
<b>standard rated breaker</b>					
CM 1250HE	1250A	125,000	85,000	50,000	
CM 1600HE	1600A	125,000	85,000	50,000	
CM 2000HE	2000A	125,000	85,000	50,000	
CM 2500HE	2500A	125,000	85,000	50,000	
CM 3000HE	3000A	125,000	85,000	50,000	
<b>100% rated breaker</b>					
CM 1250HH	1250A	125,000	85,000	50,000	
CM 1600HH	1600A	125,000	85,000	50,000	
CM 2000HH	2000A	125,000	85,000	50,000	
CM 2500HH	2500A	125,000	85,000	50,000	
CM 3000HH	3000A	125,000	85,000	50,000	
<b>molded case switches</b>					
CM 1600HA	1600A				
CM 2000HA	2000A				
CM 3000HA	3000A				

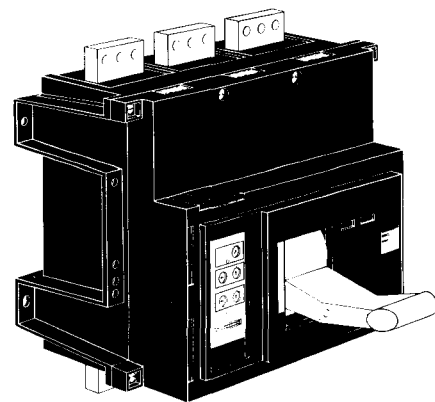
## trip unit

3 types solid state trip units are available

	ST206D	ST306S	ST306ST	ST316ST
long time	■	■	■	
short time		■	■	
instantaneous	■	fixed	fixed	
ground fault			■	
field test kit		■	■	

## field test kit

Functional testing of the trip unit can be achieved using a field test kit connected to a 120V-60Hz supply.



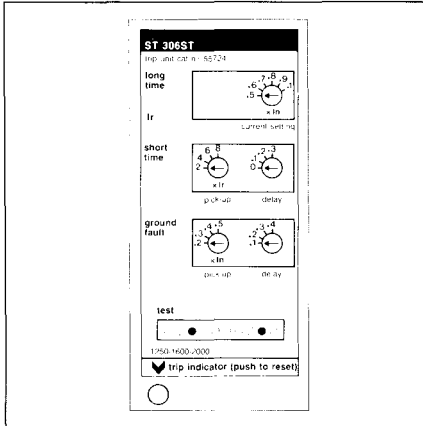
mastering electrical power



MERLIN GERIN

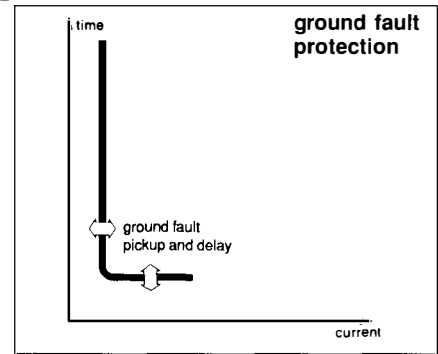
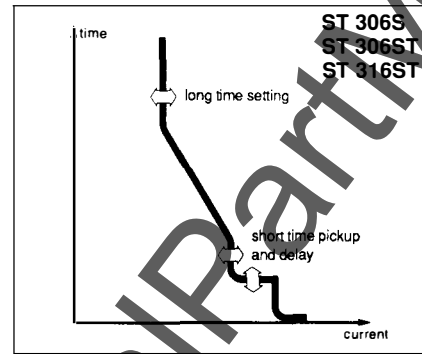
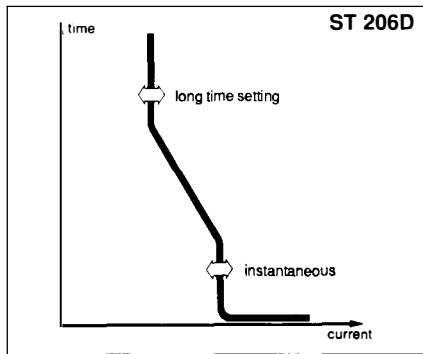
WWW.MERLIN-GERIN.COM

## solid state trip unit



trip unit type	ST 206D	ST 306S	ST 306ST/ST 316ST
<b>long time</b>			
current setting	0.5 to 1 x current sensor	0.5 to 1 x current sensor	0.5 to 1 x current sensor
<b>short time</b>			
pickup		2 to 8 x current setting	2 to 8 x current setting
delay band		0, 0.1, 0.2, 0.3	0, 0.1, 0.2, 0.3
<b>instantaneous</b>			
pickup	3 to 6 x current setting	fixed at 35,000A	fixed at 35,000A
<b>ground fault</b>			
pickup			0.2 to 0.5 ① or 0.2 to 0.4 ② x current sensor
delay band			0.1, 0.2, 0.3, 0.4

① ST306ST : for ratings 1250A to 2000A / ● ST316ST : for ratings 2500A to 3000A



## internal accessories

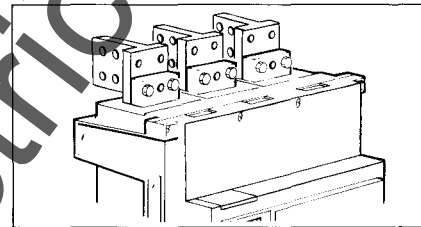
- 2 SPDT auxiliary switches or
  - 4 STD auxiliary switches and 1 SPDT alarm switch
  - 1 overcurrent trip switch as standard (it operates when breaker trips through trip unit operation only).
  - shunt trip or
  - undervoltage release
- voltages available : 120, 240, 480, 600V AC  
60 Hz, 24, 48, 125V DC
- motor operator
- voltages available : 120, 240, 277, 480V AC  
60 Hz, 24, 48, 125V DC
- external terminals are provided on the side of the breaker for connections to internal accessories listed above (capacity 18 to 14 AWG)

## external accessories

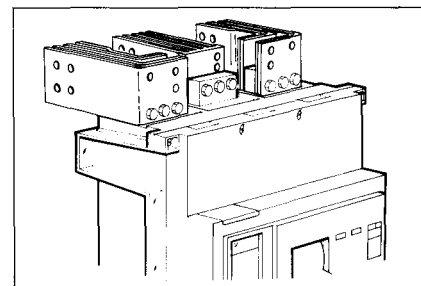
- external neutral sensor
- padlock adaptor
- KIRK key lock
- door interlock
- mechanical interlock

## terminals

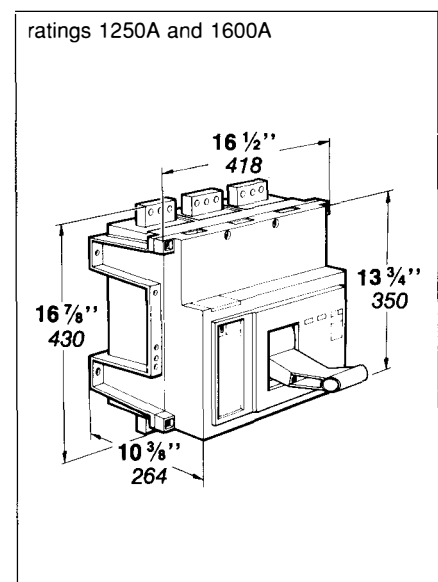
- rating 2000A



- ratings 2500A and 3000A



## dimensions



MERLIN GERIN INC.  
5000 Highlands Pkwy.  
Suite 150  
SMYRNA, GA 30082  
tel. (404) 432.2744  
fax (404) 432.9179

"As standard specifications and designs change from time to time, please ask for confirmation of the information given in the publication".

# MERLIN GERIN

## molded case circuit breaker

The CM type covers continuous current ratings from 1250 to 3000A.

- 100% rated breaker
- reverse feeding
- high endurance
- selectivity up to 35,000A
- one frame size for 5 ratings
- reduced overall dimensions
- ease of installation
- maintenance free operation
- extensive list of accessories
- built-in ground fault protection
- mechanical fault indicator
- overcurrent trip switch
- push to trip

## solid state trip unit

Compact CM can be equipped with one of three types of solid state trip units to suit the individual requirements of the application. Each trip unit includes its own adjustment ranges and characteristics, increasing accuracy, reliability and versatility of the circuit breakers performance.

**compact CM**  
**CM 1250**  
**CM 1600**  
**CM 2000**  
**CM 2500**  
**CM 3000**

## characteristics

CM type 3-pole	ampere rating current sensors	UL listed interrupting ratings		
		RMS Sym. Amps 240V	480V	600V
<b>standard rated breaker</b>				
CM 1250HE	1250A	125,000	85,000	50,000
CM 1600HE	1600A	125,000	85,000	50,000
CM 2000HE	2000A	125,000	85,000	50,000
CM 2500HE	2500A	125,000	85,000	50,000
CM 3000HE	3000A	125,000	85,000	50,000
<b>100% rated breaker</b>				
CM 1250HH	1250A	125,000	85,000	50,000
CM 1600HH	1600A	125,000	85,000	50,000
CM 2000HH	2000A	125,000	85,000	50,000
CM 2500HH	2500A	125,000	85,000	50,000
CM 3000HH	3000A	125,000	85,000	50,000
<b>molded case switches</b>				
CM 1600HA	1600A			
CM 2000HA	2000A			
CM 3000HA	3000A			

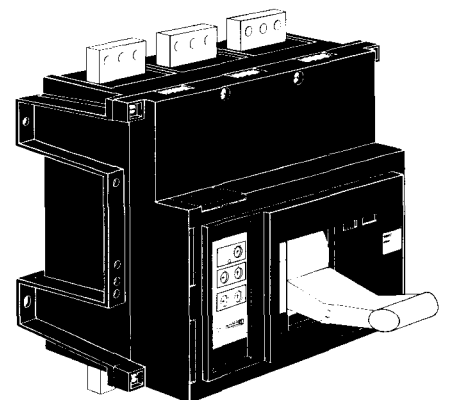
## trip unit

3 types solid state trip units are available

	ST206D	ST306S	ST306ST ST316ST
long time	■	■	■
short time		■	■
instantaneous	■	fixed	fixed
ground fault			■
field test kit		■	■

## field test kit

Functional testing of the trip unit can be achieved using a field test kit connected to a 120V-60Hz supply.



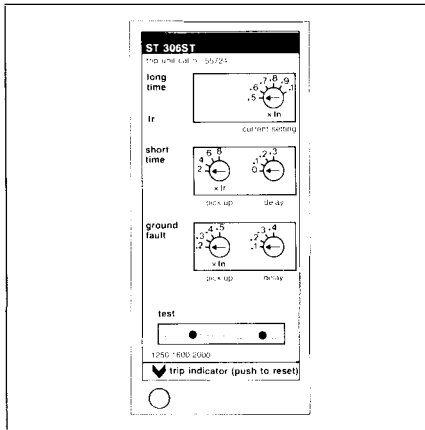
mastering electrical power



MERLIN GERIN

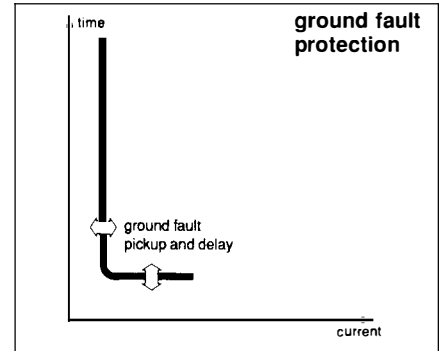
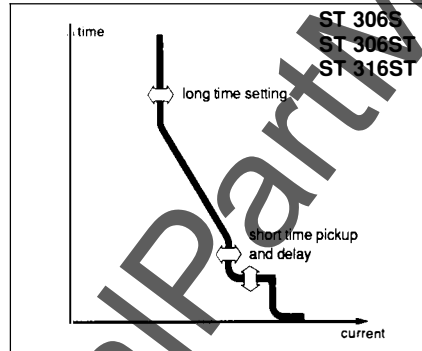
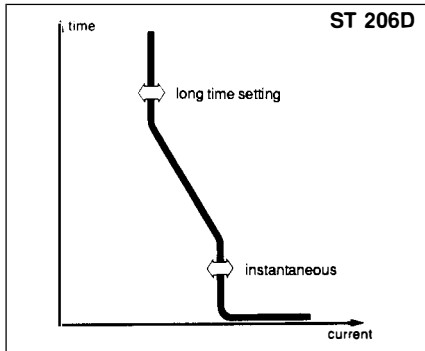
WWW.MERLIN-GERIN.COM

## solid state trip unit



trip unit type	ST 206D	ST 306S	ST 306ST/ST 316ST
<b>long time</b>			
current setting	0.5 to 1 x current sensor	0.5 to 1 x current sensor	0.5 to 1 x current sensor
<b>short time</b>			
pickup		2 to 8 x current setting	2 to 8 x current setting
delay band		0, 0.1, 0.2, 0.3	0, 0.1, 0.2, 0.3
<b>instantaneous</b>			
pickup	3 to 6 x current setting	fixed at 35,000A	fixed at 35,000A
<b>ground fault</b>			
pickup			0.2 to 0.5 ● or 0.2 to 0.4 ● x current sensor
delay band			0.1, 0.2, 0.3, 0.4

● ST306ST : for ratings 1250A to 2000A / ● ST316ST : for ratings 2500A to 3000A



## internal accessories

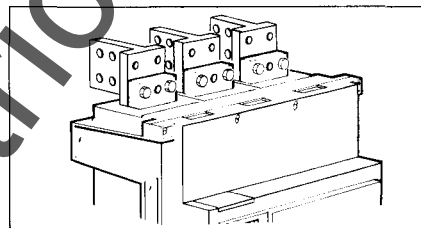
- 2 SPDT auxiliary switches or
  - 4 STDT auxiliary switches and 1 SPDT alarm switch
  - 1 overcurrent trip switch as standard (it operates when breaker trips through trip unit operation only).
  - shunt trip or
  - undervoltage release  
voltages availables : 120, 240, 480, 600V AC  
60 Hz, 24, 48, 125V DC
  - motor operator  
voltages available : 120, 240, 277, 480V AC  
60 Hz, 24, 48, 125V DC
- external terminals are provided on the side of the breaker for connections to internal accessories listed above (capacity 18 to 14 AWG)

## external accessories

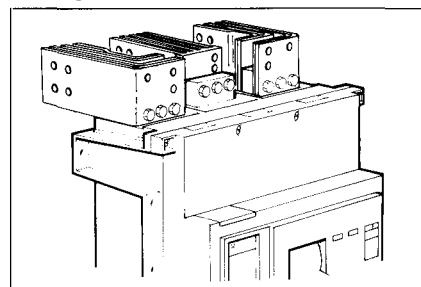
- external neutral sensor
- padlock adaptor
- KIRK key lock
- door interlock
- mechanical interlock

## terminals

- rating 2000A

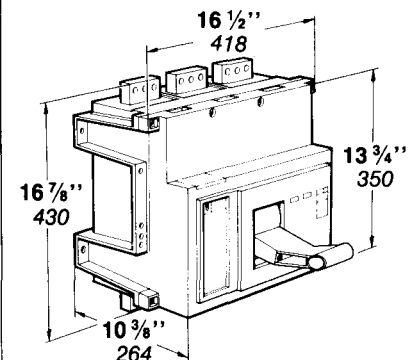


- ratings 2500A and 3000A



## dimensions

ratings 1250A and 1600A



MERLIN GERIN INC.  
5000 Highlands Pkwy.  
Suite 150  
SMYRNA, GA 30082  
tel. (404) 432.2744  
fax (404) 432.9179

"As standard specifications and designs change from time to time, please ask for confirmation of the information given in the publication".