



SWITCHGEAR DEVICES
LOW VOLTAGE AIR CIRCUIT BREAKERS
TYPE DB-25 • DE-ION® • MANUALLY OR ELECTRICALLY OPERATED

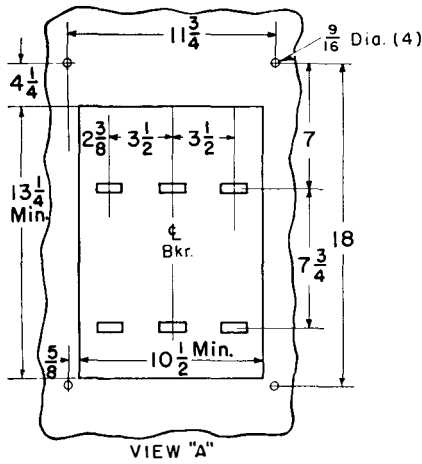
DIMENSION SECTION

35-220

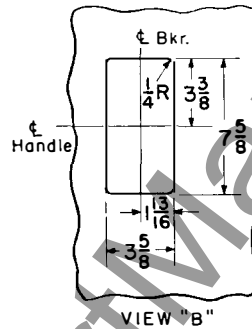
35 TO 600 AMPS A-C OR D-C • 600 VOLTS A-C, 250 VOLTS D-C • 25000 AMPS INTERRUPTING • 2 OR 3-POLE

OUTLINE DIMENSIONS IN INCHES—DEAD FRONT FIXED TYPE

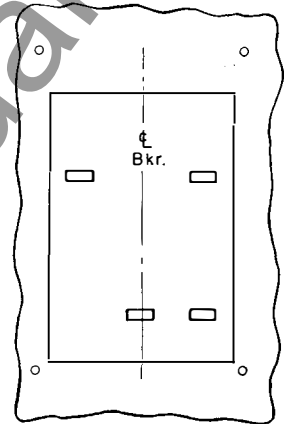
Dimensions are approximate only. Do not use for construction purposes.



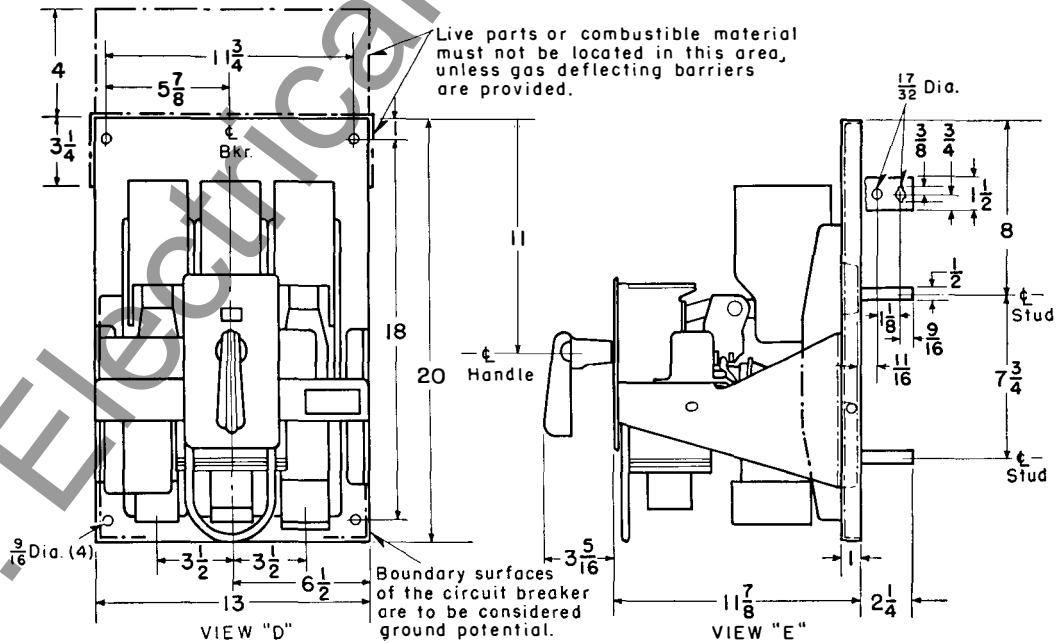
Front view of stud locations, cutout and drilling for mounting 3-pole breaker or 2-pole breaker without reverse current trip.



Cutout in dead front door or cover.



Front view of stud location, cutout and drilling for mounting 2-pole breaker with 2 over-current trips and reverse current trip. (for dims. see View "A").



3-pole breaker without reverse current trip, or 2-pole breaker with or without reverse current trip.

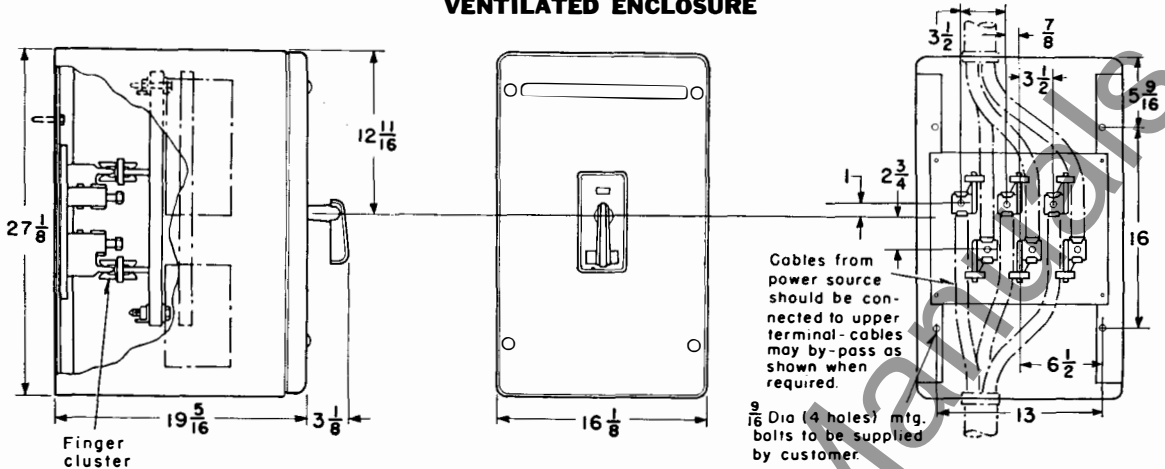
SWITCHGEAR DEVICES
LOW VOLTAGE AIR CIRCUIT BREAKERS
TYPE DB-25 • DE-10N • MANUALLY OR ELECTRICALLY OPERATED



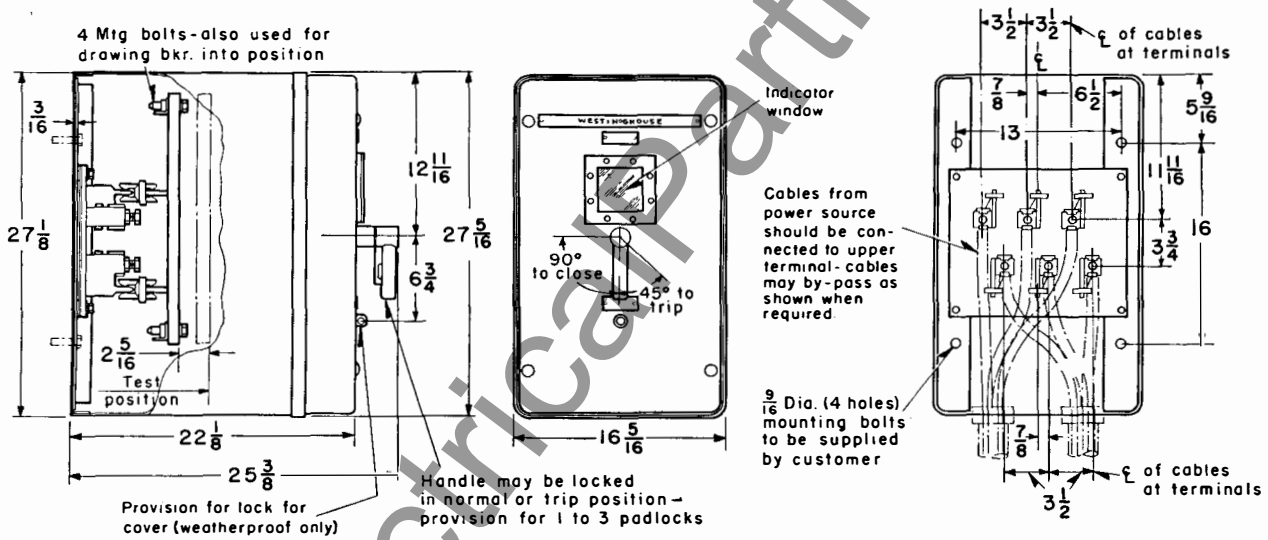
OUTLINE DIMENSIONS IN INCHES

Dimensions are approximate only. Do not use for construction purposes.

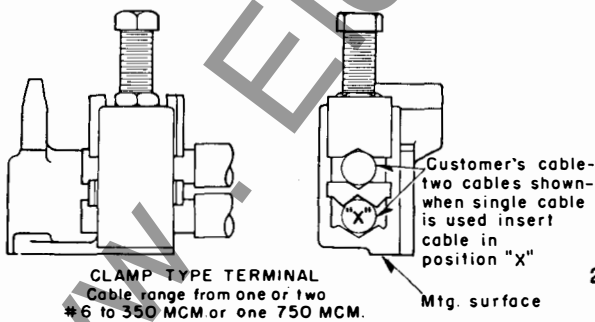
VENTILATED ENCLOSURE



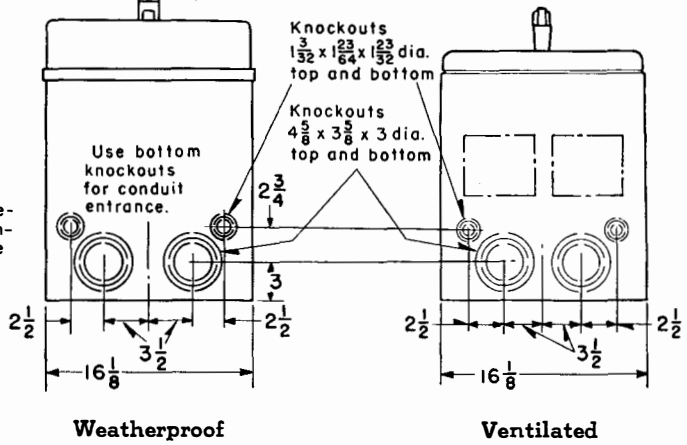
WEATHERPROOF OR DUST-TIGHT ENCLOSURE



CLAMP TYPE TERMINAL



TOP VIEWS



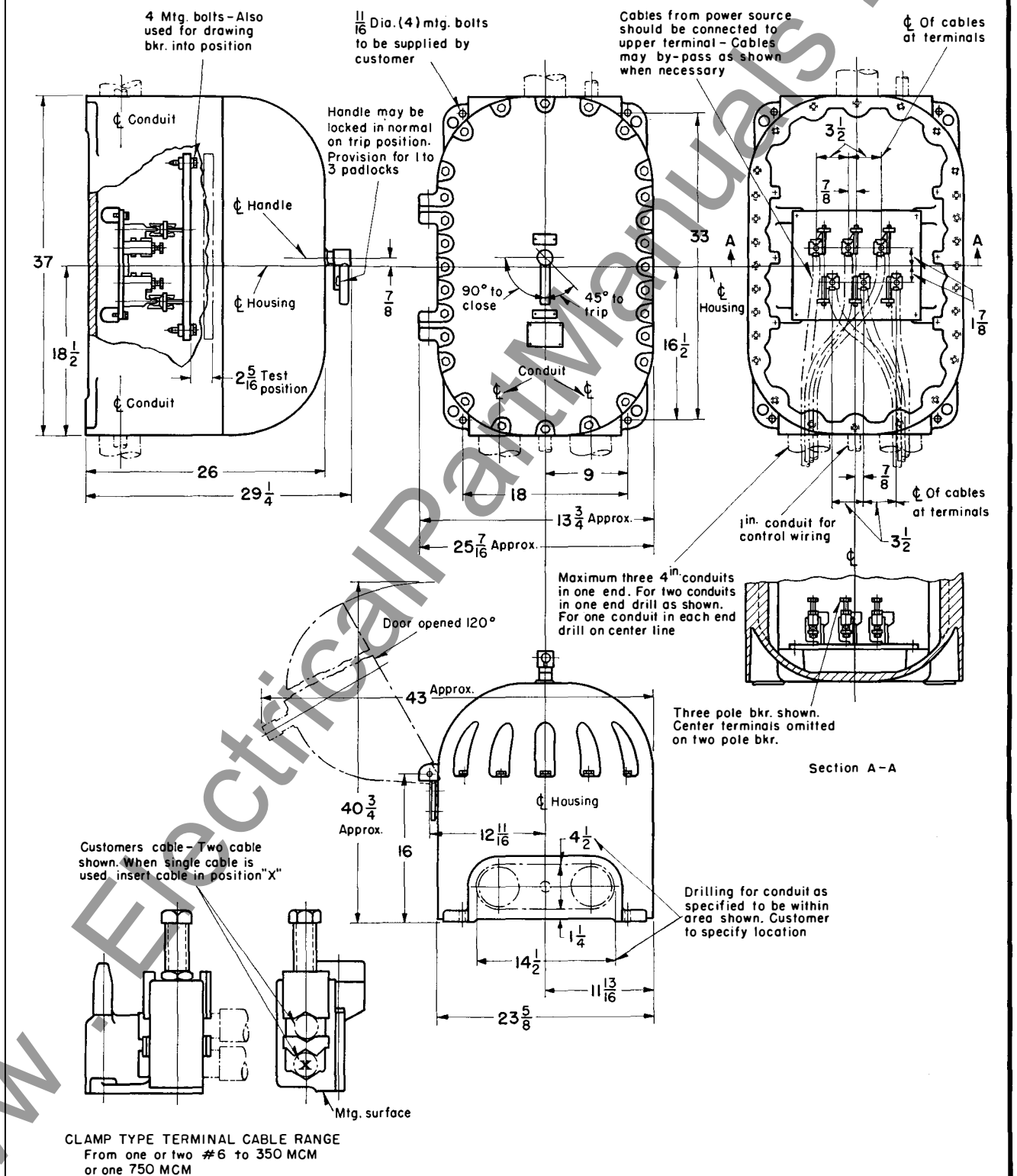


SWITCHGEAR DEVICES
LOW VOLTAGE AIR CIRCUIT BREAKERS
 TYPE DB-25 • DE-10N • MANUALLY OR ELECTRICALLY OPERATED

DIMENSION SECTION
35-220

OUTLINE DIMENSIONS IN INCHES—EXPLOSION PROOF ENCLOSURE

Dimensions are approximate only. Do not use for construction purposes.



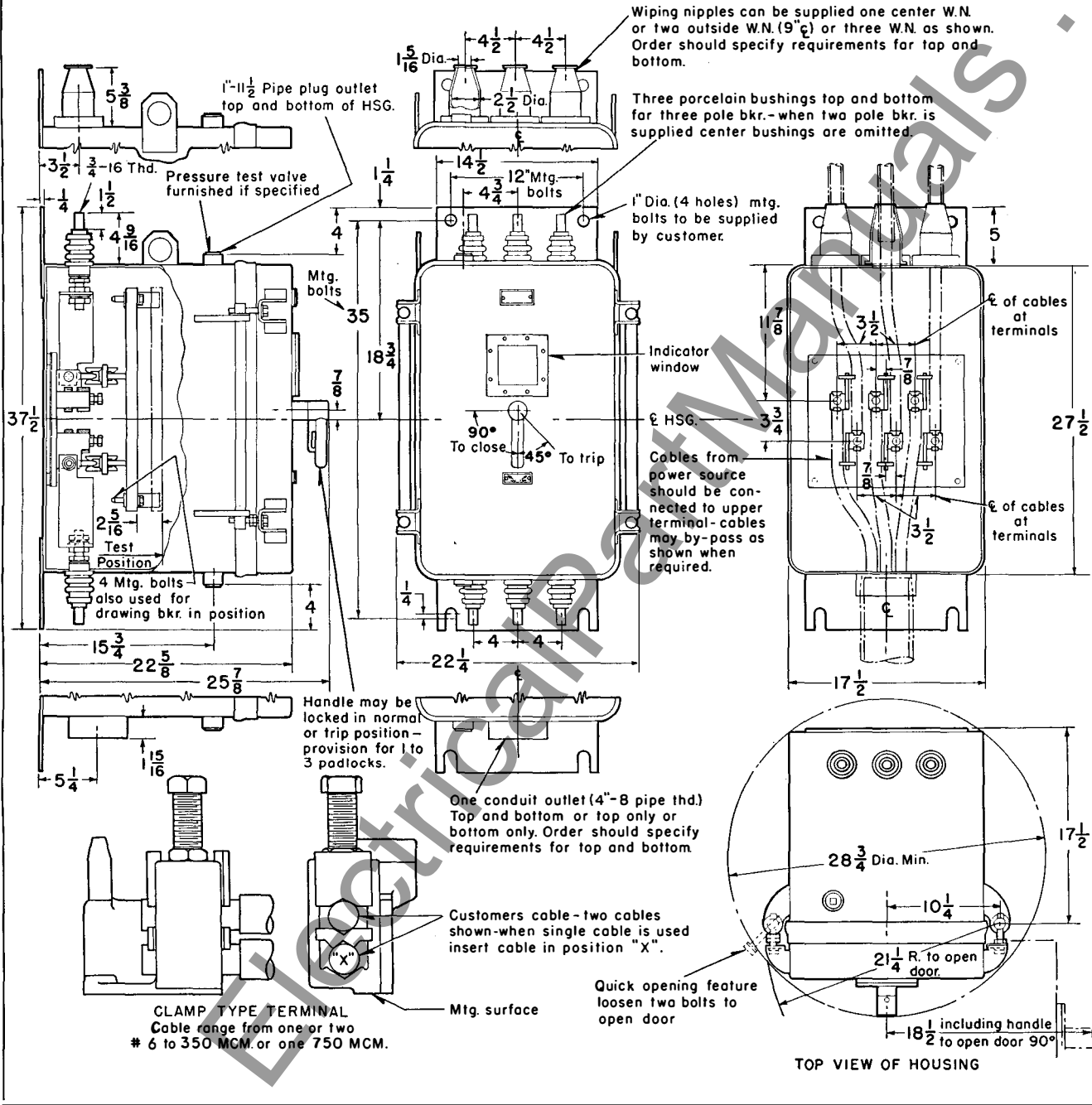
DIMENSION SECTION
35-220

SWITCHGEAR DEVICES
LOW VOLTAGE AIR CIRCUIT BREAKERS
TYPE DB-25 • DE-10N • MANUALLY OR ELECTRICALLY OPERATED



OUTLINE DIMENSIONS IN INCHES—SUBMERSIBLE ENCLOSURE

Dimensions are approximate only. Do not use for construction purposes.



LITERATURE REFERENCE

PRICES—See Price List 35-220