



Low Voltage Air Circuit Breakers

TYPE DB-50 DE-ION AIR CIRCUIT BREAKERS  
1600 Ampere Frame - 250/600 Volts - D-C/A-C - 3 Pole

Renewal  
Parts Data  
33-850  
DB-50

Recommendations for Stock  
Refer to I.B. 33-850-3 for Maintenance and Parts Identification

For Typical Illustrations, See Reverse Side

| Ref. No.                   | Unit Quantity | Style Number | Description                                     |
|----------------------------|---------------|--------------|---|
| <u>POLE UNIT</u>           |               |              |   |
| 1                          | 6#            | 200B570G01   | Moving Main Contact                             |
| 4                          | 12#           | 28A1391H25   | Auxiliary Contact                               |
| 6                          | 3#            | 309C855G01   | Moving Arcing Contact                           |
| 15                         | 3             | 1611 758     | Operating Link                                  |
| 18                         | 3#            | 1611 764     | Stationary Main Contact & Upper Stud            |
| 19                         | 3#            | 1611 748     | Stationary Arcing Contact                       |
| 27                         | 3             | 1611 767     | Lower Stud                                      |
| -                          | 1#            | 497A346G03   | Retaining Ring Assortment                       |
| <u>OPERATING MECHANISM</u> |               |              |   |
| 1                          | 1             | 1589 689     | Breaker Lever                                   |
| 17                         | 1             | 1589 692     | Roller Lever                                    |
| 18                         | 1             | 300P220H01   | Roller Lever Spring (Bkrs. Built Before 8-1-61) |
| 18                         | 1             | 499A453H01   | Roller Lever Spring (Bkrs. Built After 8-1-61)  |
| 19                         | 1             | 1589 691     | Pawl  |
| 20                         | 1             | 1584 520     | Pawl Spring                                     |
| 23                         | 1             | 1589 682     | Latch Segment                                   |

COILS

| Volts<br>Cycles | Closing<br>Elec. Lockout<br>Relay Plus Blowout | U.V. Trip<br>Coil if D.C.  | Shunt Trip                                     |                             |                                   |
|-----------------|--|--|--|-----------------------------|-----------------------------------|
|                 |  |  | Without Alarm Sw.<br>Bkr. Built<br>Before 1963 | Bkr. Built<br>1963 or After | With Alarm<br>Switch<br>All Years |
| 24 D-c          |  |  | 1589 312                                       | 1574 584                    | 1589 312                          |
| 48 D-c          |  |  | 1589 313                                       | 1574 583                    | 1589 313                          |
| 125 D-c         |  |  | 1589 314                                       | 1491 403                    | 1589 314                          |
| 250 D-c         |  |  | 1589 315                                       | 1491 404                    | 1589 315                          |
| 110 25          |  | When ordering<br>specify<br>ident. no. on<br>coil & give<br>complete<br>nameplate<br>reading of<br>breaker | 1589 313                                       | 1491 403                    | 1589 312                          |
| 220 25          |  |  | 1589 314                                       | 1491 404                    | 1589 313                          |
| 440 25          |  |  | 1589 315                                       | 1491 405                    | 1589 314                          |
| 550 25          |  |  | 1589 315                                       | 1491 405                    | 1589 314                          |
| 110 60          |  |  | 1589 312                                       | 1574 583                    | 1589 311                          |
| 220 60          |  |  | 1589 313                                       | 1491 403                    | 1589 312                          |
| 440 60          |  |  | 1589 314                                       | 1491 404                    | 1589 313                          |
| 550 60          |  |  | 1589 314                                       | 1491 404                    | 1589 313                          |

Auxiliary Switch 4 Stage-Drawout 1718 462      8 Stage-Drawout 1718 463      12 Stage-Drawout 1718 464      4 Stage-Fixed 1718 465      8 Stage-Fixed 1718 466

#Minimum Recommendations for Stock: Contacts & Retaining Rings - 1 Breaker Order 1 Set, 2 to 5 Breakers 2 Sets, 6 to 10 Breakers - 4 Sets. Coils & Auxiliary Switches, When Used - 1 Breaker Order 0, 2 to 5 Breakers - 1 Each, 6 to 10 Breakers - 2 Each.

Order Part by Description and Style Number.  
Give Complete Nameplate Reading.

Renewal Parts  
Illustration

33-850

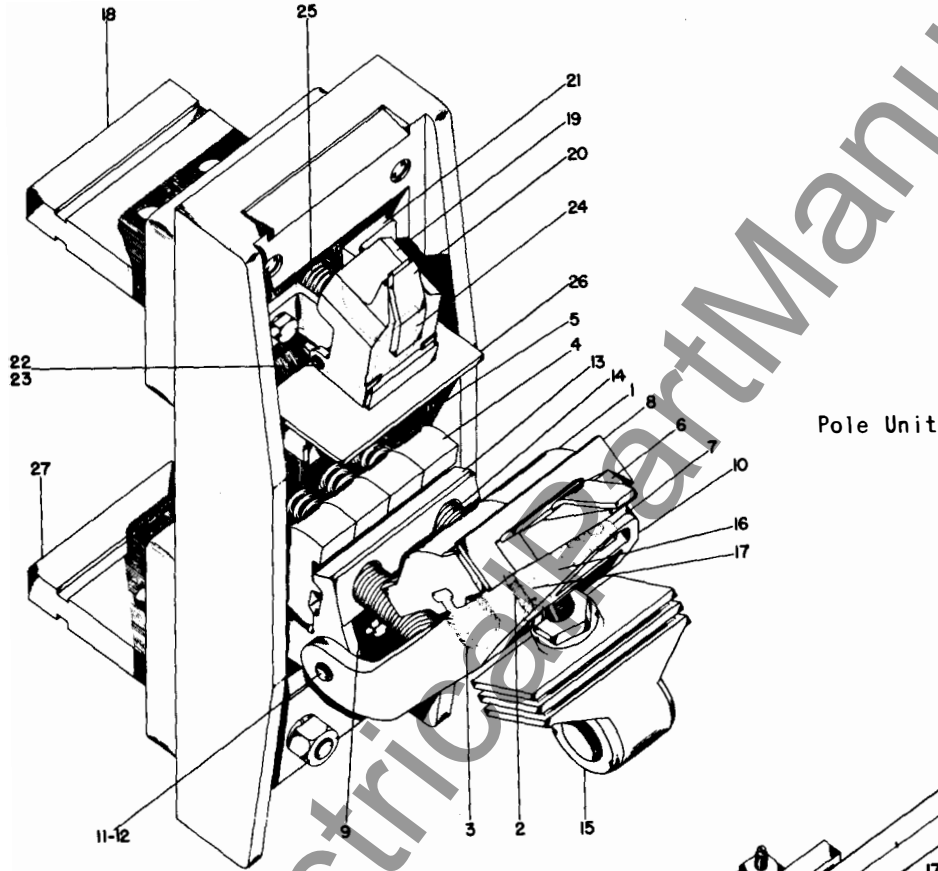
TYPE DB-25 DE-ION AIR CIRCUIT BREAKER

Renewal Parts  
Illustration

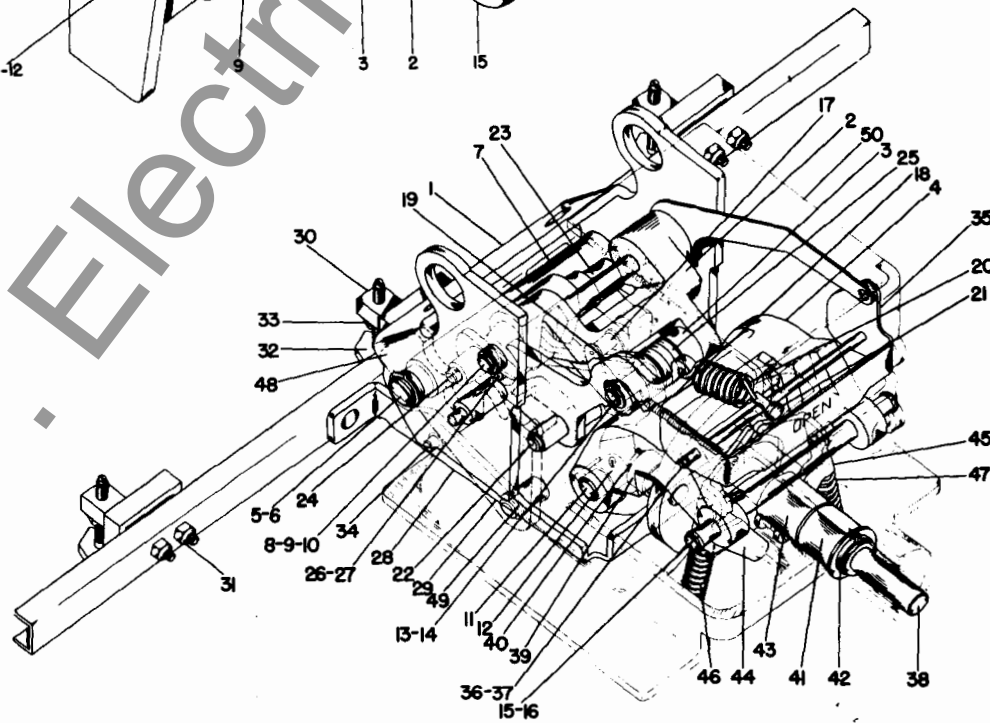
33-850

TYPE DB-50 DE-ION AIR CIRCUIT BREAKER

DB-50



Pole Unit



Operating Mechanism

www.ElectricalPartManuals.com



Low Voltage Air Circuit Breakers

TYPE DB-50 DE-ION AIR CIRCUIT BREAKERS  
1600 Ampere Frame - 250/600 Volts - D-C/A-C - 3 Pole

Renewal  
Parts Data  
33-850  
DB-50

Recommendations for Stock  
Refer to I.B. 33-850-3 for Maintenance and Parts Identification

For Typical Illustrations, See Reverse Side

| Ref. No.                   | Unit Quantity | Style Number | Description                                     |
|----------------------------|---------------|--------------|---|
| <u>POLE UNIT</u>           |               |              |   |
| 1                          | 6#            | 200B570G01   | Moving Main Contact                             |
| 4                          | 12#           | 28A1391H25   | Auxiliary Contact                               |
| 6                          | 3#            | 309C855G01   | Moving Arcing Contact                           |
| 15                         | 3             | 1611 758     | Operating Link                                  |
| 18                         | 3#            | 1611 764     | Stationary Main Contact & Upper Stud            |
| 19                         | 3#            | 1611 748     | Stationary Arcing Contact                       |
| 27                         | 3             | 1611 767     | Lower Stud                                      |
| -                          | 1#            | 497A346G03   | Retaining Ring Assortment                       |
| <u>OPERATING MECHANISM</u> |               |              |   |
| 1                          | 1             | 1589 689     | Breaker Lever                                   |
| 17                         | 1             | 1589 692     | Roller Lever                                    |
| 18                         | 1             | 300P220H01   | Roller Lever Spring (Bkrs. Built Before 8-1-61) |
| 18                         | 1             | 499A453H01   | Roller Lever Spring (Bkrs. Built After 8-1-61)  |
| 19                         | 1             | 1589 691     | Pawl  |
| 20                         | 1             | 1584 520     | Pawl Spring                                     |
| 23                         | 1             | 1589 682     | Latch Segment                                   |

COILS

| Volts | Cycles | Closing<br>Elec. Lockout U.V. Trip<br>Relay Plus Blowout Coil if D.C. | Shunt Trip                                  |  |                             |
|-------|--------|---|---|--|-----------------------------|
|       |        |   | Without Alarm Sw.<br>Bkr. Built Before 1963 | With Alarm Sw.<br>Bkr. Built 1963 or After | With Alarm Switch All Years |
| 24    | D-c    |   | 1589 312                                    | 1574 584                                   | 1589 312                    |
| 48    | D-c    |   | 1589 313                                    | 1574 583                                   | 1589 313                    |
| 125   | D-c    | When ordering   | 1589 314                                    | 1491 403                                   | 1589 314                    |
| 250   | D-c    | specify   | 1589 315                                    | 1491 404                                   | 1589 315                    |
| 110   | 25     | ident. no. on   | 1589 313                                    | 1491 403                                   | 1589 312                    |
| 220   | 25     | coil & give   | 1589 314                                    | 1491 404                                   | 1589 313                    |
| 440   | 25     | complete  | 1589 315                                    | 1491 405                                   | 1589 314                    |
| 550   | 25     | nameplate   | 1589 315                                    | 1491 405                                   | 1589 314                    |
| 110   | 60     | reading of  | 1589 312                                    | 1574 583                                   | 1589 311                    |
| 220   | 60     | breaker   | 1589 313                                    | 1491 403                                   | 1589 312                    |
| 440   | 60     |   | 1589 314                                    | 1491 404                                   | 1589 313                    |
| 550   | 60     |   | 1589 314                                    | 1491 404                                   | 1589 313                    |

|                  |                             |                             |                              |                           |                           |
|------------------|-----------------------------|-----------------------------|------------------------------|---------------------------|---------------------------|
| Auxiliary Switch | 4 Stage-Drawout<br>1718 462 | 8 Stage-Drawout<br>1718 463 | 12 Stage-Drawout<br>1718 464 | 4 Stage-Fixed<br>1718 465 | 8 Stage-Fixed<br>1718 466 |
|------------------|-----------------------------|-----------------------------|------------------------------|---------------------------|---------------------------|

#Minimum Recommendations for Stock: Contacts & Retaining Rings - 1 Breaker Order 1 Set, 2 to 5 Breakers 2 Sets, 6 to 10 Breakers - 4 Sets. Coils & Auxiliary Switches, When Used - 1 Breaker Order 0, 2 to 5 Breakers - 1 Each, 6 to 10 Breakers - 2 Each.

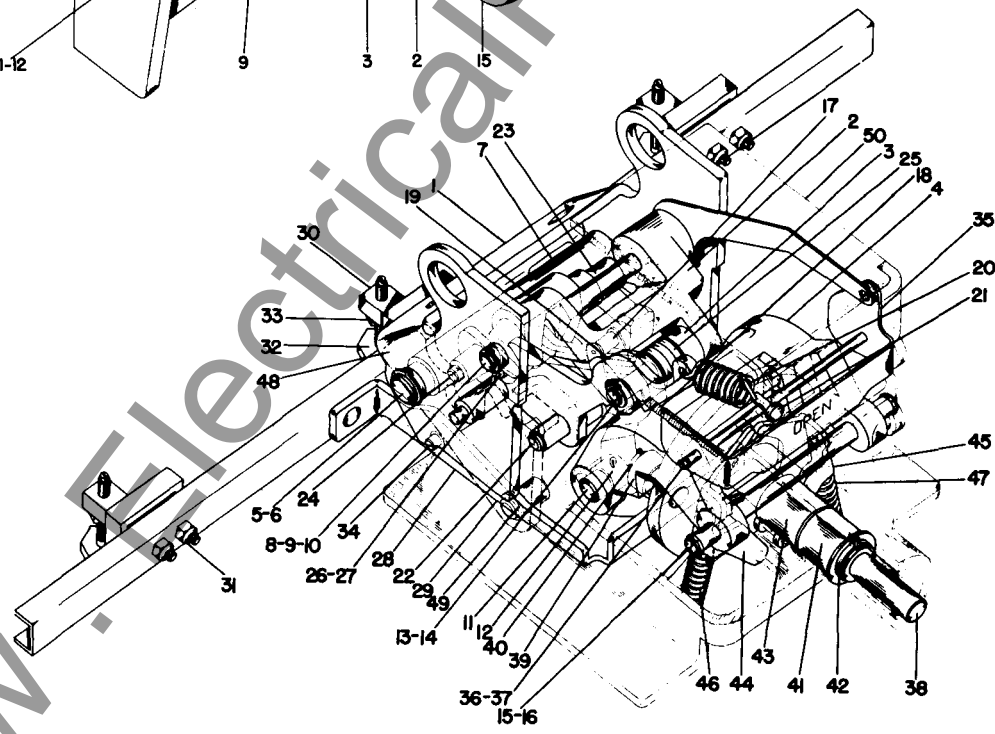
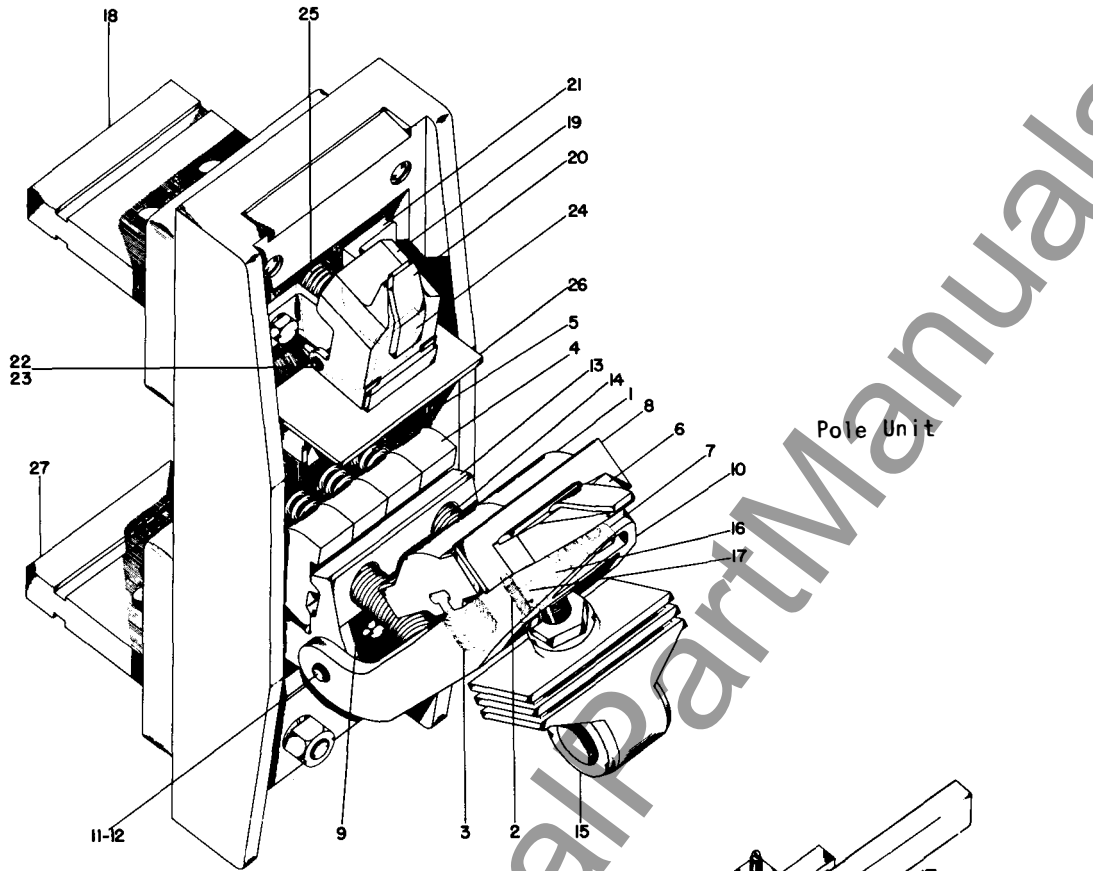
Order Part by Description and Style Number.  
Give Complete Nameplate Reading.

Renewal Parts  
Illustration

33-850

DB-50

TYPE DB-50 DE-ION AIR CIRCUIT BREAKER



Operating Mechanism

Westinghouse Electric Corporation • Assembled Switchgear & Devices Department  
East Pittsburgh, Pennsylvania



Low Voltage Air Circuit Breakers

TYPE DB-50 DE-ION AIR CIRCUIT BREAKERS  
1600 Ampere Frame - 250/600 Volts - D-C/A-C - 3 Pole

Renewal  
Parts Data  
33-850  
DB-50

Recommendations for Stock  
Refer to I.B. 33-850-3 for Maintenance and Parts Identification

For Typical Illustrations, See Reverse Side

| Ref. No.                   | Unit Quantity | Style Number | Description                                     |
|----------------------------|---------------|--------------|---|
| <u>POLE UNIT</u>           |               |              |   |
| 1                          | 6#            | 200B570G01   | Moving Main Contact                             |
| 4                          | 12#           | 28A1391H25   | Auxiliary Contact                               |
| 6                          | 3#            | 309C855G01   | Moving Arcing Contact                           |
| 15                         | 3             | 1611 758     | Operating Link                                  |
| 18                         | 3#            | 1611 764     | Stationary Main Contact & Upper Stud            |
| 19                         | 3#            | 1611 748     | Stationary Arcing Contact                       |
| 27                         | 3             | 1611 767     | Lower Stud                                      |
| -                          | 1#            | 497A346G03   | Retaining Ring Assortment                       |
| <u>OPERATING MECHANISM</u> |               |              |   |
| 1                          | 1             | 1589 689     | Breaker Lever                                   |
| 17                         | 1             | 1589 692     | Roller Lever                                    |
| 18                         | 1             | 300P220H01   | Roller Lever Spring (Bkrs. Built Before 8-1-61) |
| 18                         | 1             | 499A453H01   | Roller Lever Spring (Bkrs. Built After 8-1-61)  |
| 19                         | 1             | 1589 691     | Pawl  |
| 20                         | 1             | 1584 520     | Pawl Spring                                     |
| 23                         | 1             | 1589 682     | Latch Segment                                   |

COILS

| Volts                            | Cycles | Closing<br>Elec. Lockout U.V. Trip<br>Relay Plus Blowout Coil if D.C. | Shunt Trip                |                             |                                   |
|----------------------------------|--------|---|---------------------------|-----------------------------|-----------------------------------|
|                                  |        |   | Without Alarm Sw.         |                             | With Alarm<br>Switch<br>All Years |
|                                  |        |   | Bkr. Built<br>Before 1963 | Bkr. Built<br>1963 or After |                                   |
| 24                               | D-c    |   | 1589 312                  | 1574 584                    | 1589 312                          |
| 48                               | D-c    |   | 1589 313                  | 1574 583                    | 1589 313                          |
| 125                              | D-c    | When ordering   | 1589 314                  | 1491 403                    | 1589 314                          |
| 250                              | D-c    | specify   | 1589 315                  | 1491 404                    | 1589 315                          |
| 110                              | 25     | ident. no. on   | 1589 313                  | 1491 403                    | 1589 312                          |
| 220                              | 25     | coil & give   | 1589 314                  | 1491 404                    | 1589 313                          |
| 440                              | 25     | complete  | 1589 315                  | 1491 405                    | 1589 314                          |
| 460                              | 25     | nameplate   | 1589 315                  | 1491 405                    | 1589 314                          |
| 550                              | 25     | reading of  | 1589 315                  | 1491 405                    | 1589 314                          |
| 110                              | 60     | breaker   | 1589 312                  | 1574 583                    | 1589 311                          |
| 220                              | 60     |   | 1589 313                  | 1491 403                    | 1589 312                          |
| 440                              | 60     |   | 1589 314                  | 1491 404                    | 1589 313                          |
| 460                              | 25     |   | 1589 314                  | 1491 404                    | 1589 313                          |
| 550                              | 60     |   | 1589 314                  | 1491 404                    | 1589 313                          |
| Auxiliary Switch 4 Stage-Drawout |        |   | 1718 462                  |                             |                                   |
| 8 Stage-Drawout                  |        |   | 1718 463                  |                             |                                   |
| 12 Stage-Drawout                 |        |   | 1718 464                  |                             |                                   |
| 4 Stage-Fixed                    |        |   | 1718 465                  |                             |                                   |
| 8 Stage-Fixed                    |        |   |                           | 1718 466                    |                                   |

#Minimum Recommendations for Stock: Contacts & Retaining Rings - 1 Breaker Order 1 Set, 2 to 5 Breakers 2 Sets, 6 to 10 Breakers - 4 Sets. Coils & Auxiliary Switches, When Used - 1 Breaker Order 0, 2 to 5 Breakers - 1 Each, 6 to 10 Breakers - 2 Each.

Order Part by Description and Style Number.  
Give Complete Nameplate Reading.





Low Voltage Air Circuit Breakers

TYPE DB-75 AIR CIRCUIT BREAKER  
3000 Ampere Frame - 250/600 Volts - D-C/A-C - 3 Pole

Renewal  
Parts Data

33-850  
DB-75

1962

Recommendations for Stock  
Refer to I.B. 33-850-4&5 for Maintenance and Parts Identification

For Typical Illustration, See Reverse Side

| Ref. No.                   | Unit Quantity | Style Number | Description                       |
|----------------------------|---------------|--------------|-----------------------------------|
| <u>POLE UNIT</u>           |               |              |                                   |
| 1                          | 3#            | 406D443G01   | Moving Main Contact               |
| 5                          | 3#            | 302C062G01   | Moving Arcing Contact             |
| 13                         | 3             | 21C5415G03   | Operating Link                    |
| 16                         | 12#           | 1809 167     | Stationary Contact Finger - Upper |
| 18                         | 12#           | 1799 915     | Stationary Contact Finger - Lower |
| 23                         | 3#            | 302C063G01   | Stationary Arcing Contact         |
| 28                         | 3             | 44A9411G05   | Upper Stud                        |
| 29                         | 3             | 1799 911     | Lower Stud                        |
| 31                         | 24            | 1799 912     | Hinge Contact Finger              |
| -                          | 1#            | 497A346G04   | Retaining Ring Assortment         |
| <u>OPERATING MECHANISM</u> |               |              |                                   |
| 1                          | 1             | 1799 891     | Breaker Lever                     |
| 21                         | 1             | 1589 691     | Pawl                              |
| 22                         | 1             | 1584 520     | Pawl Spring                       |
| 26                         | 1             | 1799 887     | Roller Lever and Trigger          |
| 31                         | 1             | 1799 968     | Roller Lever Spring               |
| 32                         | 1             | 20B8584H04   | Latch Segment                     |

COILS

| Volts | Cycles | Closing      | Shunt Trip        |                | Electric Lockout | U.V. Trip Bkr. Built Before 1963 | U.V. Trip Bkr. Built 1963 or After | Relay Plus Blowout Coil if D.C.   |
|-------|--------|--------------|-------------------|----------------|------------------|----------------------------------|------------------------------------|---|
|       |        |              | Without Alarm Sw. | With Alarm Sw. |                  |                                  |                                    |   |
| 12    | D-c    | ....         | 1799 989          | 1589 311       | ....             | ....                             | ....                               | When ordering specify ident. no. on coil & give complete nameplate reading of breaker |
| 24    | D-c    | ....         | 1574 584          | 1589 312       | ....             | ....                             | 1491 403                           |   |
| 48    | D-c    | ....         | 1574 583          | 1589 313       | 1589 314         | ....                             | 1491 404                           |   |
| 125   | D-c    | 1809 520     | 1491 403          | 1589 314       | 1611 711         | 1615 351                         | 1611 027                           |   |
| 250   | D-c    | 300P268G01   | 1491 404          | 1589 315       | 1615 365         | 1615 352                         | 1529 248                           |   |
| 115   | 25     | ....         | 1491 403          | 1589 313       | 1649 870         | 1802 129                         | 1491 404                           |   |
| 220   | 25     | 1809 520 ∅   | 1491 404          | 1589 314       | 1649 870         | 1802 129                         | 1611 027                           |   |
| 440   | 25     | 300P268G01 ∅ | 1491 405          | 1589 315       | 1649 870         | 1802 129                         | 1649 804                           |   |
| 460   | 25     | 300P834G01 Δ | 1491 405          | 1589 315       | 1649 870         | 1802 129                         | 1649 804                           |   |
| 550   | 25     | ....         | 1491 405          | 1589 315       | 1649 870         | 1802 129                         | 1649 804                           |   |
| 115   | 60     | ....         | 1574 583          | 1589 312       | 1649 870         | 1802 129                         | 1491 403                           |   |
| 220   | 60     | 1809 520 ∅   | 1491 403          | 1589 313       | 1649 870         | 1802 129                         | 1491 404                           |   |
| 440   | 60     | 300P268G01 ∅ | 1491 404          | 1589 314       | 1649 870         | 1802 129                         | 1611 027                           |   |
| 460   | 60     | 300P834G01 Δ | 1491 404          | 1589 314       | 1649 870         | 1802 129                         | 1611 027                           |   |
| 550   | 60     | ....         | 1491 404          | 1589 314       | 1649 870         | 1802 129                         | 1611 027                           |   |

∅ For Use With Rectifier

| Auxiliary Switch | 4 Stage-Drawout | 8 Stage-Drawout | 12 Stage-Drawout | 4 Stage-Fixed | 8 Stage-Fixed |
|------------------|-----------------|-----------------|------------------|---------------|---------------|
|                  | 1718 462        | 1718 463        | 1718 464         | 1718 465      | 1718 466      |

#Minimum Recommendations for Stock: Contacts & Retaining Rings - 1 Breaker Order 1 Set, 2 to 5 Breakers 2 Sets, 6 to 10 Breakers - 4 Sets. Coils & Auxiliary Switches, When Used - 1 Breaker Order 0, 2 to 5 Breakers - 1 Each, 6 to 10 Breakers - 2 Each.

Δ For Breakers Built After 1966

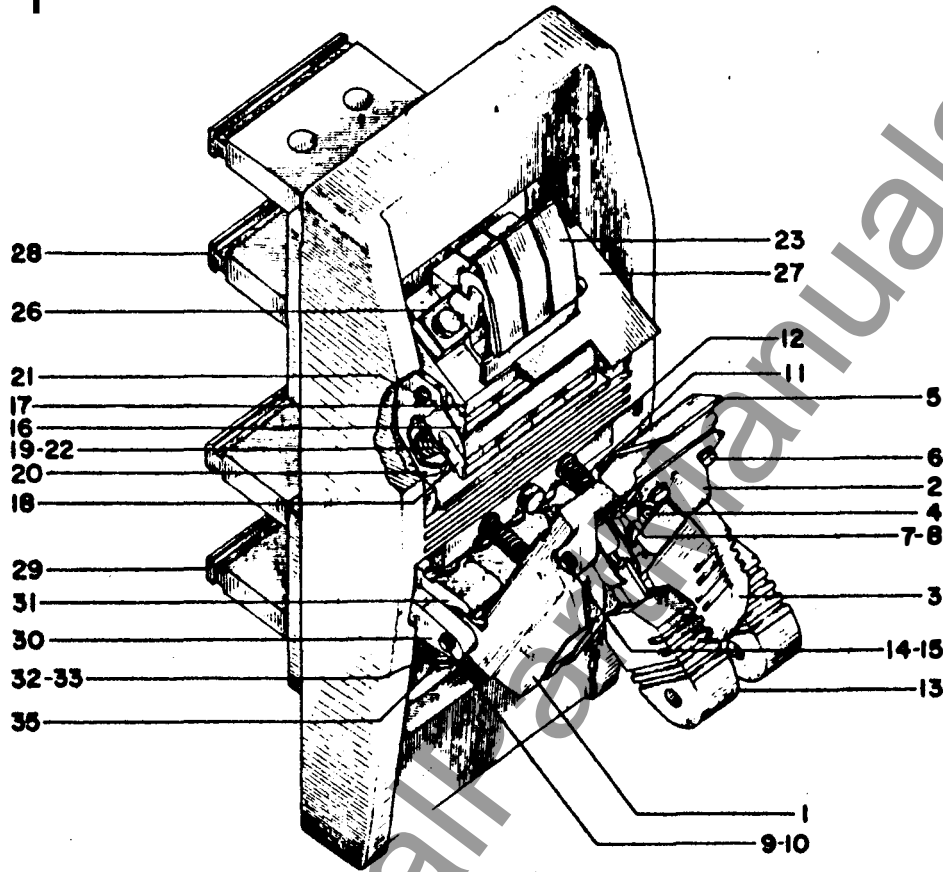
Order Part by Description and Style Number.  
Give Complete Nameplate Reading.

Renewal Parts  
Illustration

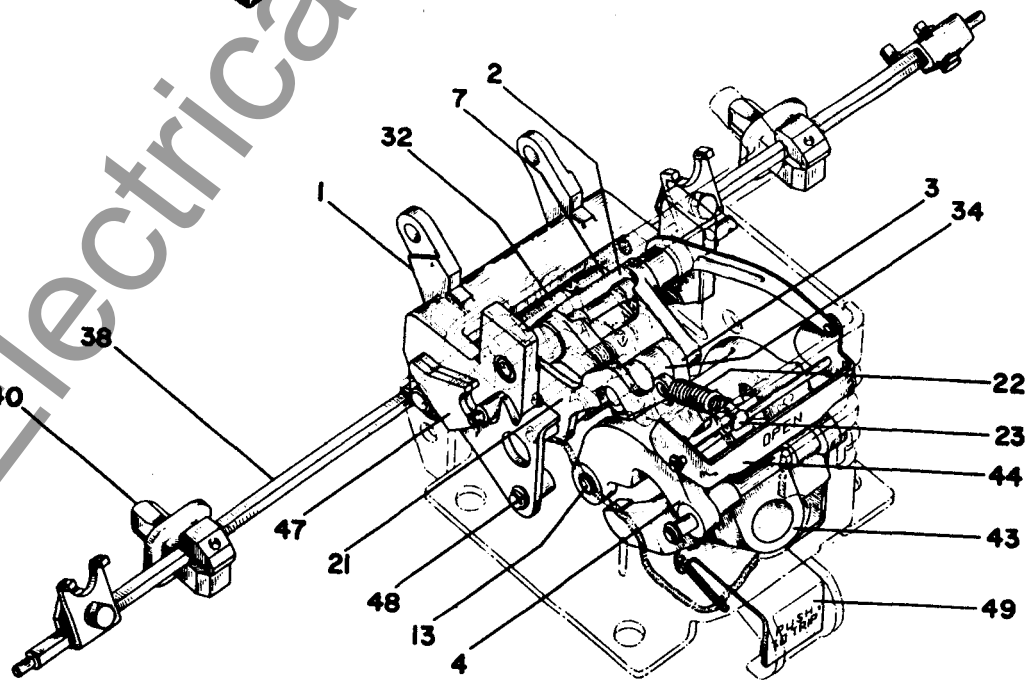
33-850  
DB-75

1962

TYPE DB-75 AIR CIRCUIT BREAKER



Pole Unit



Operating Mechanism

Westinghouse Electric Corporation • Assembled Switchgear & Devices Department  
East Pittsburgh, Pennsylvania