

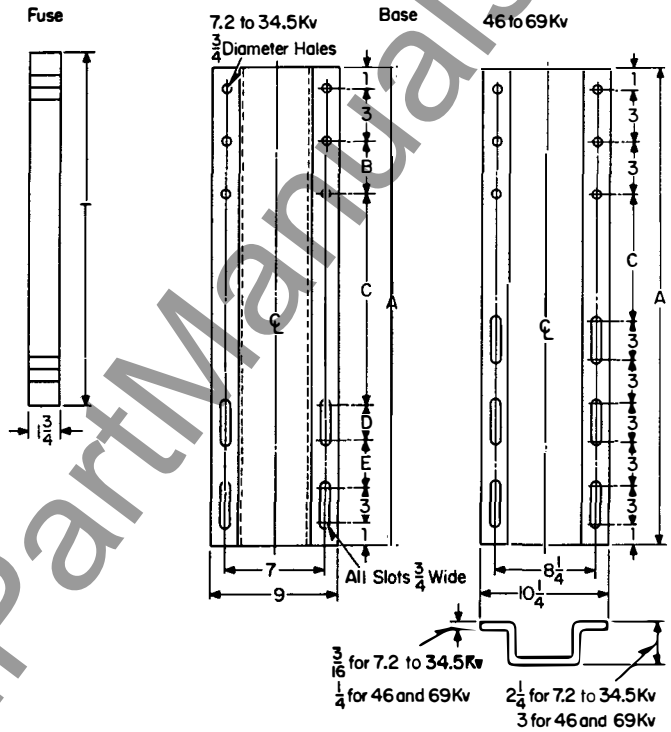
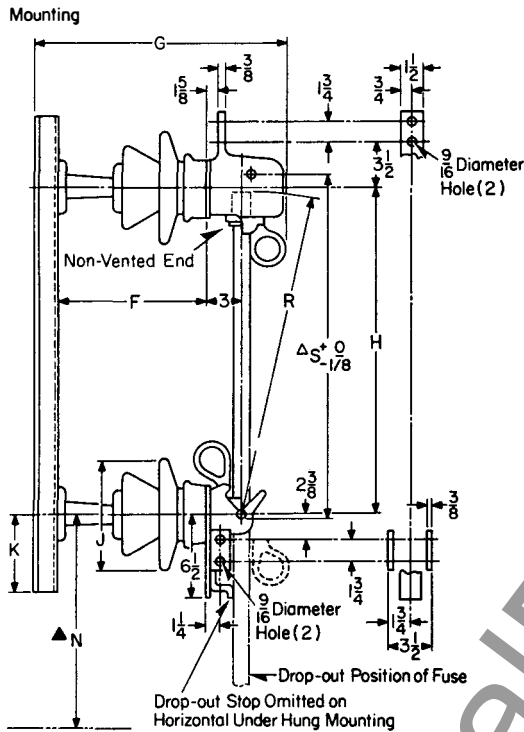
Westinghouse



High Voltage Power Fuses

Outdoor Dropout – Vertical and Horizontal Underhung Mountings

Type DBA-1
7.5 to 69 Kv, 1/2E to 200E



Line No.	Nom. Fuse Voltage	Mounting Style Number	Mounting Dimensions – Inches								Base Dimensions – Inches					Fuse Dim. Inches		Recommended Phase Spacing: Inches
			F	G	H	J	K	N▲	R	S△	A	B	C	D	E	T	W	
1	7.2	434D830A01-V 436D764G01-U	7 1/2	17 3/8	13 3/8	7	4 1/2	19 1/2	13 1/2	15 1/2	23	0	15	0	0	13 1/2		36
2	15.0	434D830A02-V 436D764G02-U	10	19 3/8	17 1/2	8	4 1/2	22 1/2	16 1/2	18 1/2	26	0	18	0	0	17		36
3	23.0	434D830A03-V 436D764G03-U	12	21 1/8	21 1/2	10 1/2	4 1/2	27 1/2	21 1/2	23 1/2	32	3	15	3	3	21 1/2		48
4	34.5	434D830A04-V 436D764G04-U	15	24 1/8	28 1/2	13	4 1/2	34 1/2	28 1/2	30 1/2	38	3	21	3	3	28 1/2		60
5	46.0	434D830A05-V 436D764G05-U	18	28 1/8	34 1/2	14	4 1/2	41 1/2	33 1/2	35 1/2	44	0	18	0	0	34		72
6	69.0	434D830A09-V 436D764G10-U	31 1/2	41 1/8	44	14	4 1/2	55 1/2	43 1/2	45 1/2	53	0	27	0	0	43 1/2		84

V = Vertical Mounting

U = Underhung Mounting

▲ Minimum recommended spacing between exhaust end of fuse and a grounded surface. Power at non-vented end.

△ Adjust insulator spacing so that distance between center of guide pin in latch casting and bottom of socket in hinge casting equals dim. "S" plus 0, or minus 1/8. Distance must be same on either side of mounting.

Customer _____ Address _____ G. O. _____

P.O. Number _____ Item _____ Approval

Apparatus _____ Style No. _____ Reference

Line No. _____ Certified _____ Date _____ Construction

Westinghouse Electric Corporation
Switchgear Division, Power Switching Equipment, East Pittsburgh, Pa.
Printed in USA

November, 1967
New Information
E, D/1971/DB

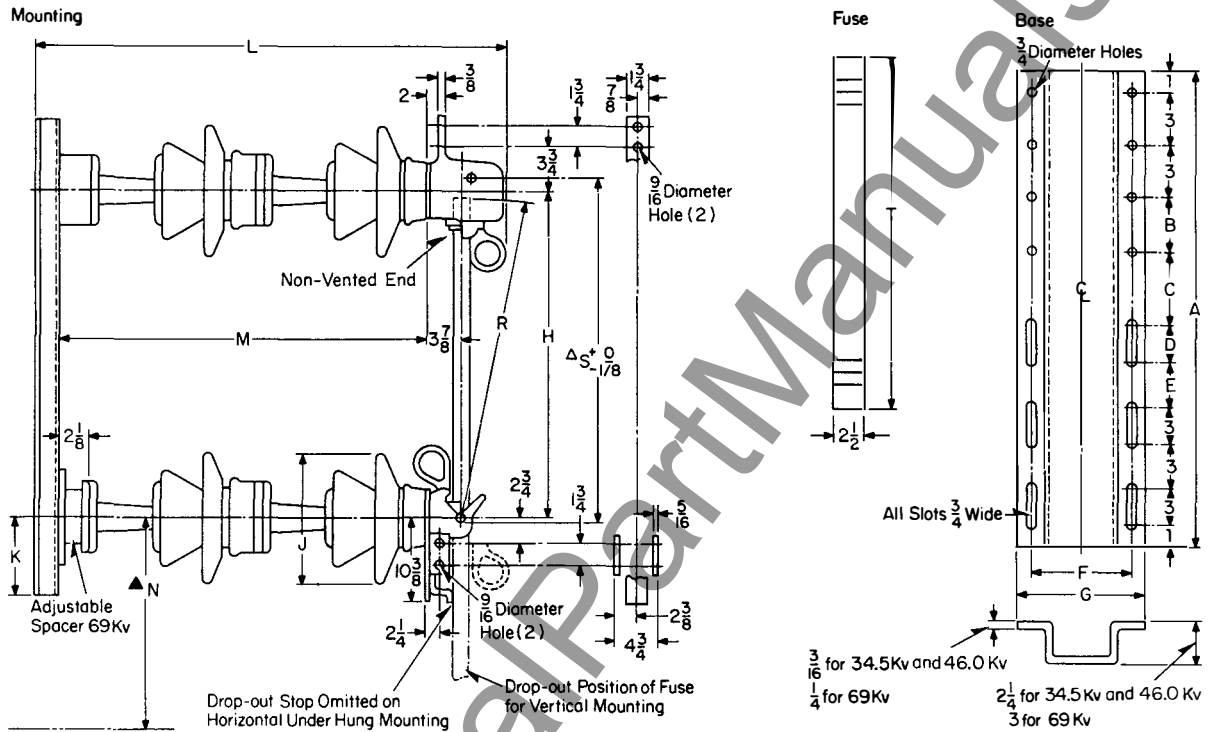
Westinghouse



High Voltage Power Fuses

Outdoor Dropout – Vertical and Horizontal Underhung Mountings

Type DBA-2 and DBA-5
34.5 to 69 Kv, 1/2E to 200E Amps



Line No.	Nom. Fuse Voltage	Mounting Style Number	Mounting Dimensions – Inches							Base Dimensions – Inches							Fuse Dim. Inches	Recommended Phase Spacing: Inches	
			H	J	K	L	M	N▲	R	S△	A	B	C	D	E	F			G
1	34.5	434D831A01-V 436D765A20-U	27%	13	4%	26%	15	43	27%	29%	38	0	21	0	0	7	9	28%	60
2	46.0	434D831A02-V 436D765A21-U	33%	14	4%	30	18	55	32%	34%	44	3	18	3	3	8%	10%	33%	72
3	69.0	434D831A09-V 436D765A22-U	43%	14	4%	43%	31%	85	42%	44%	53	3	27	3	3	8%	10%	43%	84

V = Vertical Mounting

U = Underhung Mounting

▲ Minimum recommended spacing between exhaust end of fuse and a grounded surface. Power at non-vented end.

△ Adjust insulator spacing so that distance between center of guide pin in latch casting and bottom of socket in hinge casting equals dim. "S" plus 0, minus 1/8. Distance must be same on either side of mounting.

Customer _____ Address _____ G. O. _____

P.O. Number _____ Item _____ Approval

Apparatus _____ Style No. _____ Reference

Line No. _____ Certified _____ Date _____ Construction

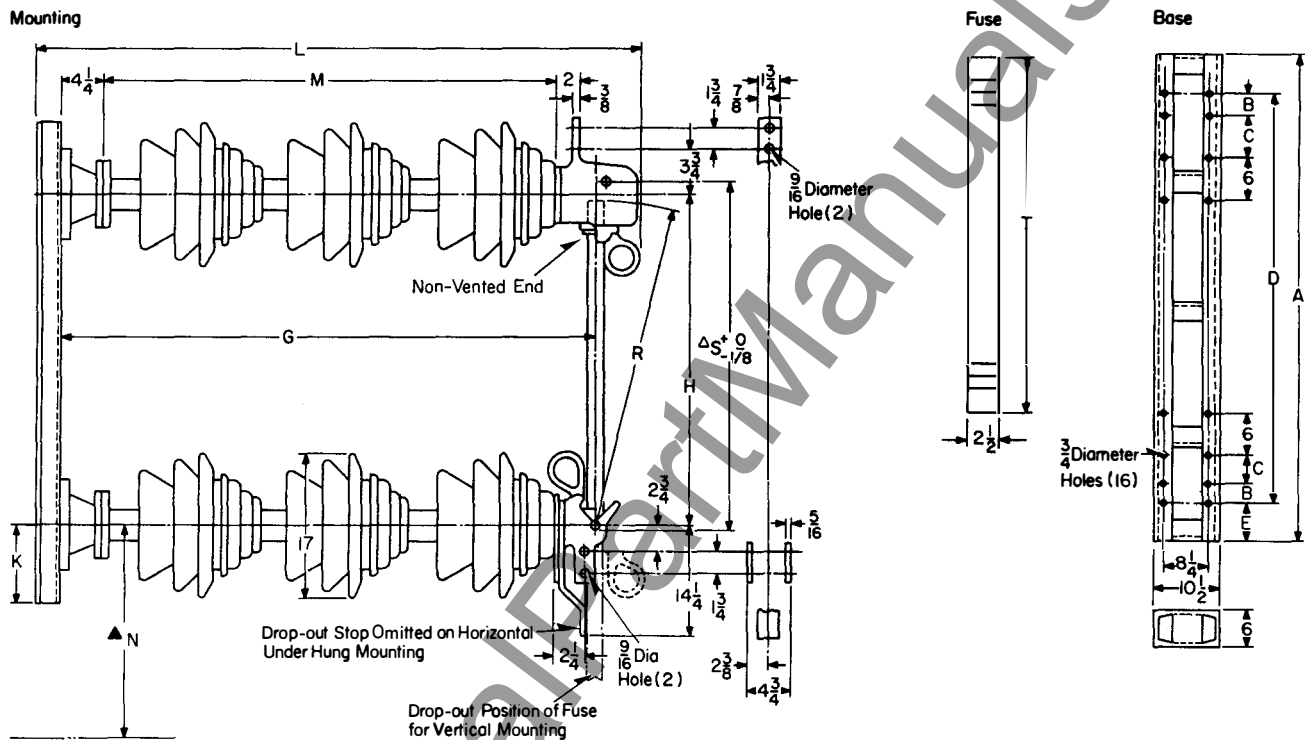
Westinghouse



High Voltage Power Fuses

Outdoor Dropout – Vertical and Horizontal Underhung Mountings

Type DBA-2
92 to 138 Kv, 1/2E to 200E Amps



Line No.	Nom. Fuse Voltage	Mounting Style Number	Mounting Dimensions – Inches							Base Dimensions – Inches					Fuse Dim. Inches	Recommended Phase Spacing: Inches	
			G	H	K	L	M	N▲	R	S△	A	B	C	D			E
1	92	434D831A10-V 436D765A23-U	51%	51%	7%	62%	43%	85	51%	53%	66	2	6	56	5	52	96
2	115	434D831A11-V 436D765A24-U	51%	61%	7%	62%	43%	97	61%	63%	78	5	7	76	1	62	120
3	138	434D831A12-V 436D765A25-U	57%	71%	8%	68%	49	109	71%	73%	88	1	12	78	5	72	144

V = Vertical Mounting U = Underhung Mounting

▲ Minimum recommended spacing between exhaust end of fuse and a grounded surface. Power at non-vented end.

△ Adjust insulator spacing so that distance between center of guide pin in latch casting and bottom of socket in hinge casting equals dim. "S" plus 0, minus 1/8. Distance must be same on either side of mounting.

Customer _____ Address _____ G. O. _____

P.O. Number _____ Item _____ Approval

Apparatus _____ Style No. _____ Reference

Line No. _____ Certified _____ Date _____ Construction

Westinghouse Electric Corporation
Switchgear Division, Power Switching Equipment, East Pittsburgh, Pa.
Printed in USA

November, 1967
New Information
E, D/1971/DB