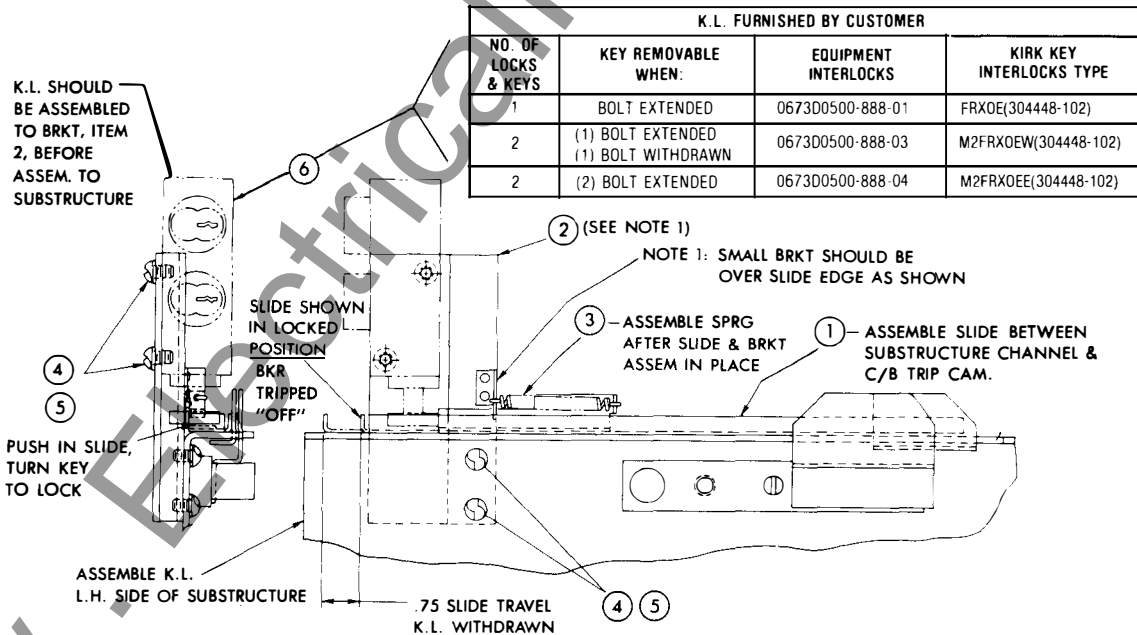
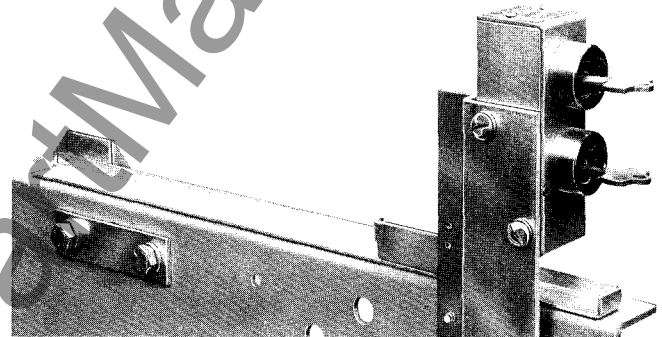
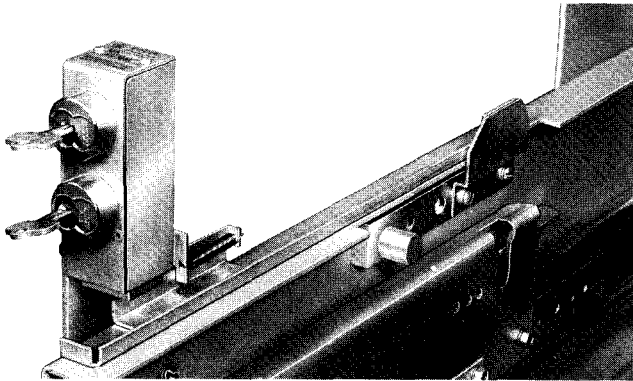




Key-Lock Accessory Kit

For AKR Substructure

Numbers on Drawing Correspond to Numbers on Enclosed Parts List



© 1984 GENERAL ELECTRIC COMPANY

These instructions do not purport to cover all details or variations in equipment nor to provide for every possible contingency to be met in connection with installation operation or maintenance. Should further information be desired or should particular problems arise which are not covered sufficiently for the purchaser's purposes, the matter should be referred to the General Electric Company.

For further information
call or write your local
General Electric
Sales Office or . . .

Construction Equipment
Business Operations
41 Woodford Avenue
Plainville, CT 06062 U.S.A.

www.ElectricalPartManuals.com