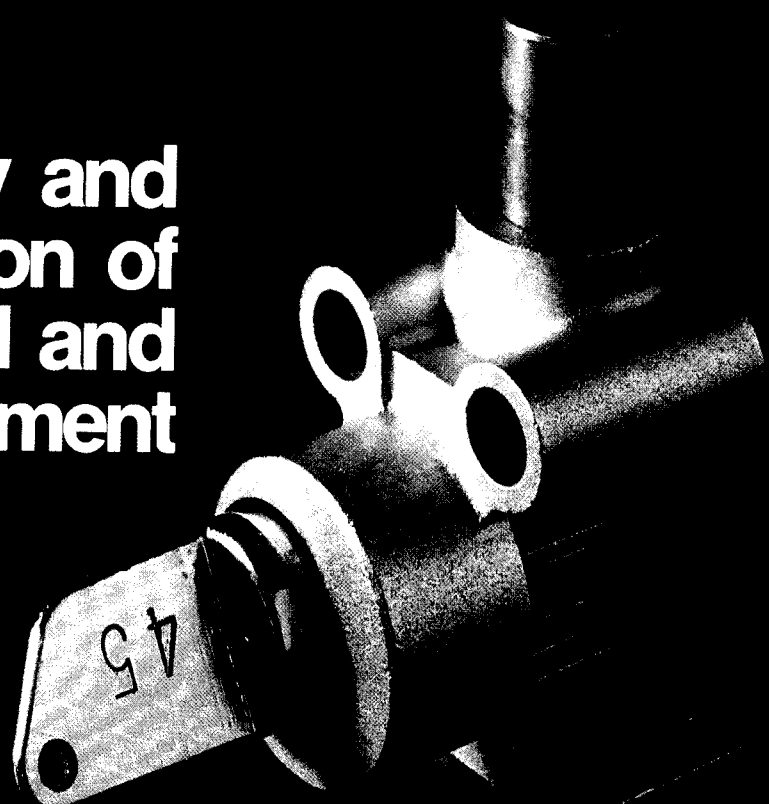


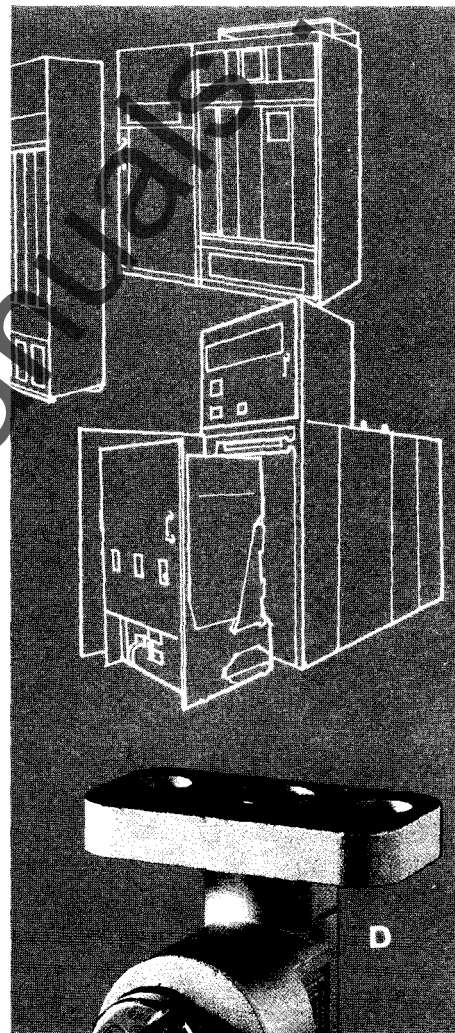
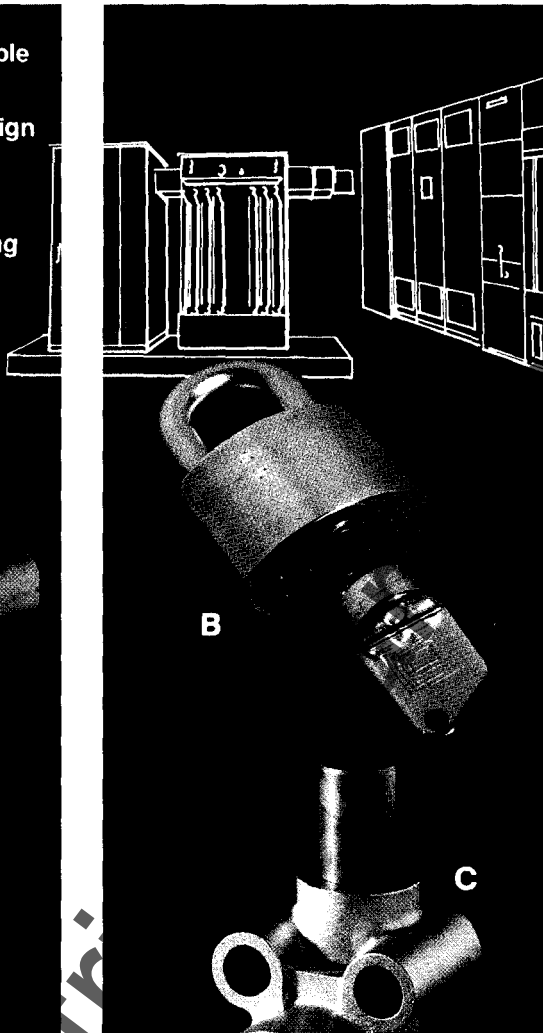
KEY SQUARE KEY INTERLOCKS KEY SQUARE D KE D KEY INTERLOCKS

For safety and
protection of
personnel and
equipment



KEY INTERLOCKS

- Dimensionally interchangeable with other key interlocks.
- Unique key and tumbler design provides greater flexibility.
- Eliminates delivery delays.
- Computerized record keeping for the customer.



TYPES OF KEY INTERLOCKS SHOWN:

A. Multi-barrel, flat mounted lock assembly. **B.** SP padlock. **C.** Type SF flat mounted lock. **D.** Type SB base mounted lock.

Square D key interlocks can be ordered for mounting in any position, depending on user requirements.

A COMPLETE LINE AVAILABLE TO ACCOMMODATE ANY INTERLOCK SYSTEM REQUIREMENT

The safety of personnel and equipment is everyone's concern. Backed by the reliability and integrity of the Square D Company, the introduction of a complete new line of key interlocks is a welcome answer to industry's demand for safe, reliable locking devices.

CONSTRUCTION

This new line of key interlocks features a cast aluminum alloy outer housing containing a special key and lock combination which cannot be duplicated by other sources of supply. The special tumbler design is constructed of the finest materials which insures a lifetime of use.

DIMENSIONALLY INTERCHANGEABLE WITH OTHER KEY INTERLOCKS

Square D key interlocks are dimensionally interchangeable with competitive interlocking devices which makes lock substitution quick and easy. Also, the lock-cylinder on Square D interlocks can be removed from the front, thus eliminating the need to dismantle interlocked equipment, either partially or completely, to extend or expand an existing scheme.

COMPUTERIZED RECORDS

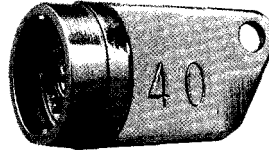
Computerized record keeping of all interlock orders insures the user of complete system interlock integrity. It also provides for future key/lock cylinder replacement or change should the need arise.

FAST SHIPMENT

All requests for locks are handled in a fast and professional manner. Shipment can normally be made within two weeks after an order is received.

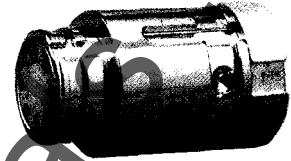
ACCESSORY EQUIPMENT INCLUDES:

- Auxiliary Switches
- Sealing Wires
- Wide Range of Bolt Lengths
- Mounting Bolts
- Lock Covers
- Auxiliary Switch Housings



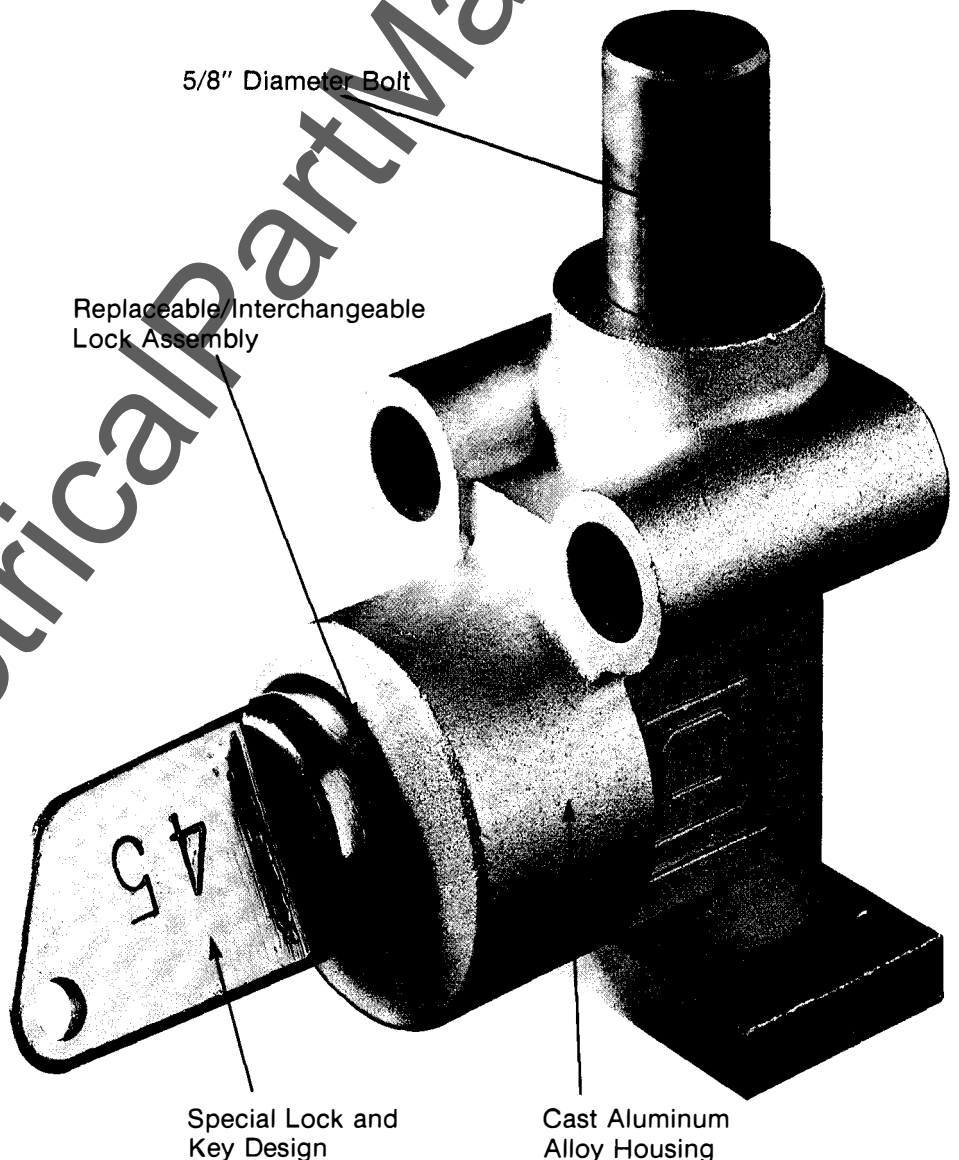
KEYS

All keys are constructed of heavy, rugged material. Each key is identified with a combination number and a specified designation.



LOCK CYLINDERS

The lock assemblies utilize a seven-pin tumbler design made of the finest stainless steel and brass materials. They're precision machined for a long lasting and wearing lock assembly.



APPLICATIONS — Square D key interlocks can be used anywhere there are sliding, latching or detachable members of a device whose motion needs to be controlled in a sequential manner. They can be easily mounted in any position.



AT YOUR SERVICE . . .
 FOR FURTHER INFORMATION
 on Square D key interlocks,
 contact your nearby Square D
 sales office today. They're located
 in over 160 cities throughout the
 U.S. and abroad to serve you. Or,
 write to Square D Company,
 P.O. Box 558, Middletown, Ohio
 45042.

Sales offices in the United States

ALABAMA
 Birmingham
 Dothan
 Huntsville
 Mobile
ALASKA
 Anchorage
ARIZONA
 Phoenix
 Tucson
ARKANSAS
 Ft. Smith
 Little Rock
CALIFORNIA
 Anaheim
 Fresno
 Los Angeles
 Riverside
 Sacramento
 San Diego
 San Jose
 Santa Barbara
 So. San Francisco
CARIBBEAN
 (Miami)
COLORADO
 Englewood
 (Denver)
 Pueblo
CONNECTICUT
 Newington
 (Hartford)
DISTRICT OF COLUMBIA
 Rockville
 (Wash. D.C.)
FLORIDA
 Ft. Lauderdale
 Ft. Myers
 Jacksonville
 Miami
 No. Palm Beach
 Orlando
 Sarasota
 Tallahassee
 Tampa
GEORGIA
 Atlanta
 Macon
 Muscogee
 (Columbus)
HAWAII
 Honolulu
IDAHO
 Boise
 Pocatello

ILLINOIS
 Aurora
 Champaign
 Joliet
 Peoria
 Rockford
 Springfield
 (Sangamon)
 Westchester
 (Chicago)
INDIANA
 Evansville
 Fort Wayne
 Highland
 (Hammond)
 Indianapolis
 Mishawaka
 (South Bend)
IOWA
 Bettendorf
 Cedar Rapids
 Des Moines
KANSAS
 Salina
 Shawnee
 (Kansas City)
 Wichita
KENTUCKY
 Lexington
 Louisville
 Paducah
LOUISIANA
 Baton Rouge
 Lafayette
 Metairie
 (New Orleans)
 Monroe
 Shreveport
MAINE
 Portland
MARYLAND
 Hagerstown
 Lutherville
 (Baltimore)
 Salisbury
MASSACHUSETTS
 Braintree (Boston)
MICHIGAN
 Flint
 Grand Rapids
 Lansing
 Madison Hts.
 (Detroit)
 Saginaw
MINNESOTA
 Duluth
 Minneapolis
 Rochester

MISSISSIPPI
 Jackson
MISSOURI
 St. Louis
 Springfield
MONTANA
 Billings
NEBRASKA
 Grand Island
 Omaha
NEW HAMPSHIRE
 Manchester
NEW JERSEY
 Bellmawr
 (So. Jersey)
 Pine Brook
NEW MEXICO
 Albuquerque
NEW YORK
 Albany
 Buffalo
 Mineola
 (New York City)
 Rochester
 Syracuse
 White Plains
NORTH CAROLINA
 Asheville
 Charlotte
 Greensboro
 Raleigh
 Wilmington
NORTH DAKOTA
 Fargo
OHIO
 Akron
 Cincinnati
 Columbus
 Dayton
 Maple Hts.
 (Cleveland)
 Toledo
 Youngstown
OKLAHOMA
 Oklahoma City
 Tulsa
OREGON
 Eugene
 Portland
PENNSYLVANIA
 Allentown
 Altoona
 Broomall
 (Philadelphia)
 Camp Hill
 (Harrisburg)
 Pittsburgh

West Chester
 (Brandywine)
 Wilkes-Barre
 York
PUERTO RICO
 Hato Rey
RHODE ISLAND
 Cranston
 (Providence)
SOUTH CAROLINA
 Charleston
 Columbia
 Greenville
SOUTH DAKOTA
 Sioux Falls
TENNESSEE
 Chattanooga
 Kingsport
 Knoxville
 Memphis
 Nashville
TEXAS
 Amarillo
 Arlington
 (Fort Worth)
 Austin
 Beaumont
 Corpus Christi
 Dallas
 El Paso
 Harlingen
 Houston
 Longview
 Lubbock
 Midland
 San Antonio
 Waco
UTAH
 Salt Lake City
VIRGINIA
 Norfolk
 Roanoke
 Roanoke
WASHINGTON
 Bellevue (Seattle)
 Spokane
 Tacoma
WEST VIRGINIA
 Barboursville
 (Huntington)
 Beckley
WISCONSIN
 Glendale
 (Milwaukee)
 Green Bay



SQUARE D COMPANY

Wherever Electricity is Distributed and Controlled

WWW.ElectricSquareD.com