

Instructions for Type L-64 Electrical Interlock



I.L. 15-829-7

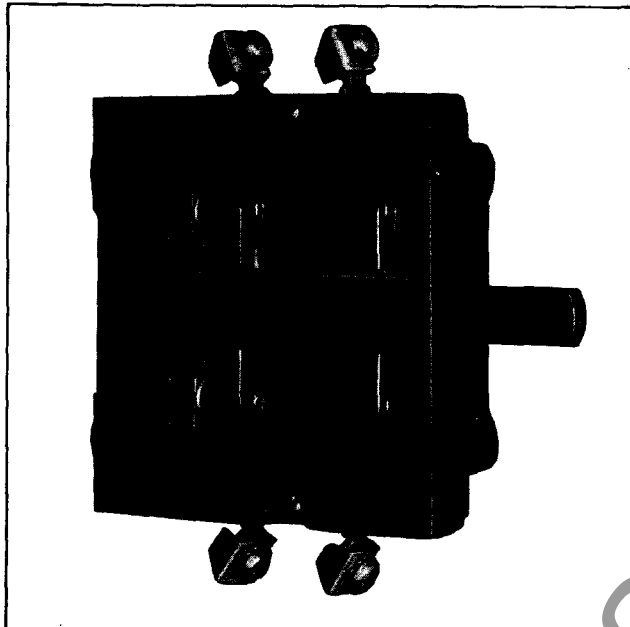


Fig. 1 Type L-64 Interlock - One Contact Normally Open and One Contact Normally Closed

TYPE L-64 ELECTRICAL INTERLOCK is an auxiliary switching device designed for mounting on the following contactors:

Type M, d-c magnetic contactors, rated 100 to 2500 amperes.

Type H, medium voltage, a-c contactor.

Type K, oil immersed medium voltage, a-c contactor.

Type LF, medium voltage, a-c contactor.

Type L-64 electrical interlock is available in the following combinations:

One contact normally open and one contact normally closed.

Two contacts normally open.

Two contacts normally closed.

RATING

The type L-64 interlock is capable of closing and carrying 10 amperes continuously. The d-c interrupting capacity is 200 volt-amperes inductive at a maximum of 600 volts.

Effective May, 1965

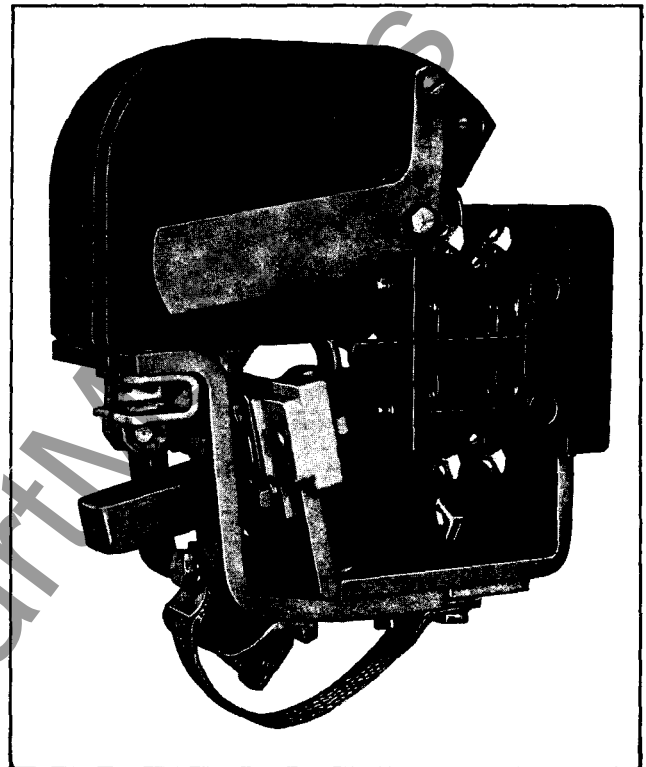


Fig. 2 Type L-64 Interlock Mounted on Type M-310 Magnet Closed Contactor

DESCRIPTION

The construction of the interlock is shown in Fig. 1. The base, cover, and pushrod are molded of an insulating, wear resistant, material which affords complete electrical isolation between circuits. All contacts, both moving and stationary, have silver buttons whose surfaces are kept clean by a wiping action as the contacts close. Contact springs insure adequate contact force as the contacts wear. A return spring provides the force necessary to return the pushrod to its normal position.

INSTALLATION AND MAINTENANCE

INSTALLATION ON TYPE M CONTACTOR - The interlock mounts on the base of the contactor by means of two screws. The

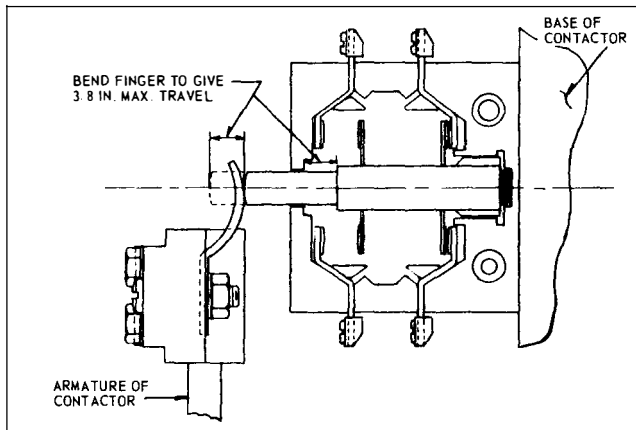


Fig. 3 View with Cover Removed of Type L-64 Interlock for Type M Contactors - Sizes 3 to 7

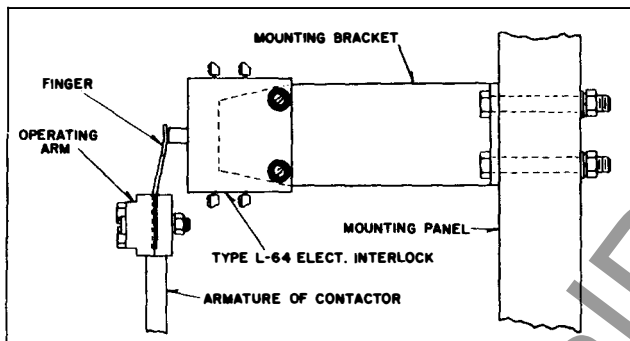


Fig. 4 Type L-64 Interlock for Magnet Closed Contactors M-810, M-810R and M-910

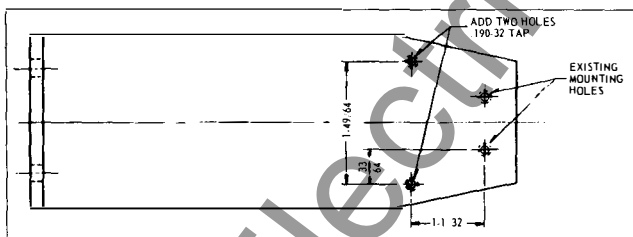


Fig. 5 Mounting Bracket Drill Plan When Replacing Type L-61 Interlock with Type L-64 Interlock on Types M-810 and M-910 Contactors

operating finger is carried by an insulation block, which is bolted to the armature plate of the contactor, as shown in Fig. 3.

When used with Type M-810, M-810R, and M-910 contactors, the interlock is mounted on an angle bracket as shown in Fig. 4. When replacing the Type L-61 Interlock on Types M-810, M-810R or

M-910 contactors it is necessary to drill and tap the mounting bracket as shown in Fig. 5.

When an interlock and its operating finger are first mounted on the contactor, it may be necessary to adjust the parts to produce normal travels. This is accomplished by bending the operating finger to produce $3/8$ inch total movement of the pushrod. (See Fig. 3) This should represent $3/32$ inch overtravel of the pushrod beyond the point at which the normally open contacts touch.

INSTALLATION ON TYPE K or TYPE LF CONTACTOR - The interlock mounts on a separate base which has its own operating arm actuated by the contactor magnet. (See Fig. 6) Travel adjustment is made by means of adjusting screws on the operating arm.

Type L-64 Electrical Interlock terminals may be bent or twisted for wiring convenience as shown in Figs. 2 and 6.

A periodic inspection should be made to see that the interlock parts move freely without excessive friction or binding. Do not oil the interlock.

TYPE L-64 INTERLOCK APPLICATION - The type L-64 interlock may be applied only to those devices shown in Table II.

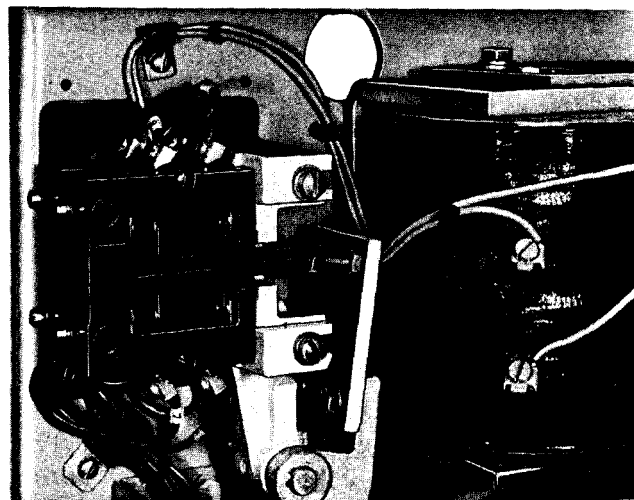


Fig. 6 Type L-64 Interlock for Type LF Contactors

TABLE I
TYPE L-64 INTERLOCK STYLE NUMBERS

INTERLOCK CONTACT ARRANGEMENT	* INTERLOCK STYLE
ONE NORMALLY OPEN AND ONE NORMALLY CLOSED CONTACT	843D943G04
TWO NORMALLY OPEN CONTACTS	843D943G05
TWO NORMALLY CLOSED CONTACTS	843D943G06

* FOR MOUNTING HARDWARE SEE TABLE II BELOW

TABLE II
TYPE L-64 INTERLOCK APPLICATION

NOTE - SELECT INTERLOCK FROM COLUMN TWO OF TABLE I ABOVE

CONTACTOR TYPE	OPERATING ARM STYLE NUMBERS		MOUNTING HARDWARE FOR INTERLOCK AND OPERATING ARM	MOUNTING BRACKET AND HARDWARE
	LEFT HAND	RIGHT HAND		
M-301, M-401 M-501 M-601, M-701	1490221 1490222 1490221	1490316 1490317 1490316	25A1619G14 25A1619G14 25A1619G12	—
MD-301, MD-401 MD-501 MD-601, MD-701	1490221 1490222 1490221	1490316 1490317 1490316	25A1619G14	—
M-310, M-410, M-510 M-610, M-710	1490219 1490220	1490314 1490315	25A1619G14 25A1619G12	—
MD-310, MD-410, MD-510 M-610, M-710	1490219 1490220	1490314 1490315	25A1619G14	—
	OPERATING ARM MOUNTING BRACKET AND HARDWARE			
	FOR ONE L-64 INTERLOCK	FOR TWO L-64 INTERLOCKS		
M-810, M-810R M-910	25A1637G01 38A6882G01	25A1637G02 38A6882G02		—
	OPERATING ARM AND MOUNTING HARDWARE			
	FOR ONE INTERLOCK	FOR TWO INTERLOCKS	FOR THREE INTERLOCKS	
MD-810 MD-910	857D507G01 857D507G01	857D507G02 857D507G02	857D507G03 857D507G03	857D507G04 857D507G05
TYPE H TYPE K TYPE LF	SELECT INTERLOCK FROM TABLE I ABOVE (NO ADDITIONAL HARDWARE REQUIRED)			—

www.ElectricalPartManuals.com