



December, 1984  
Supersedes RPD 41-116, pages 1-4,  
dated November, 1984  
Mailed to: E, D, C/41-400B

In FT-21 and FT-31  
Flexitest Case ①

# Type COV Voltage Controlled Overcurrent Relay

## COV Relay

### Single Trip

1876243	1878521	288B773A21	288B774A33	288B776A26	290B976A25
1876244	1878522	288B773A22	288B774A34	288B776A27	290B976A26
1876245	1878523	288B773A23	288B774A35	288B776A28	290B976A27
1876246	1878524	288B773A25	288B774A36	288B776A29	290B976A28
1878495	1878525	288B773A26	288B774A37	288B776A30	290B976A29
1878496	1878526	288B773A27	288B774A38	288B776A31	290B976A30
1878497	1878527	288B773A28	288B775A19	288B776A32	290B976A31
1878498	1878528	288B773A29	288B775A20	288B776A33	290B976A32
1878499	1878529	288B773A30	288B775A21	288B776A34	290B976A33
1878500	1878530	288B773A31	288B775A22	288B776A35	290B976A34
1878501	1878808	288B773A32	288B775A24	288B776A36	290B976A35
1878502	1956083	288B773A33	288B775A25	288B776A37	290B976A36
1878503	1956084	288B773A34	288B775A26	288B776A38	290B976A37
1878504	1956085	288B773A35	288B775A27	289B509A28	290B976A38
1878505	1956086	288B773A36	288B775A28	289B509A29	292B365A09
1878506	1956087	288B773A37	288B775A29	289B509A30	292B687A09
1878507	1956088	288B773A38	288B775A30	290B976A09	292B687A10
1878508	1956089	288B774A19	288B775A31	290B976A10	292B963A09
1878509	1956090	288B774A20	288B775A32	290B976A11	292B963A10
1878510	1956091	288B774A21	288B775A33	290B976A12	718B852A12
1878511	1956092	288B774A22	288B775A34	290B976A13	718B852A13
1878512	1956093	288B774A23	288B775A35	290B976A14	718B852A14
1878513	1956094	288B774A25	288B775A36	290B976A15	718B852A15
1878514	1956095	288B774A26	288B775A37	290B976A16	718B852A16
1878515	1956096	288B774A27	288B775A38	290B976A17	718B852A17
1878516	1961095	288B774A28	288B776A20	290B976A18	774B351A09
1878517	1962754	288B774A29	288B776A21	290B976A19	774B351A10
1878518	1963186	288B774A30	288B776A22	290B976A20	774B351A11
1878519	288B773A19	288B774A31	288B776A23	290B976A21	
1878520	288B773A20	288B774A32	288B776A25	290B976A22	

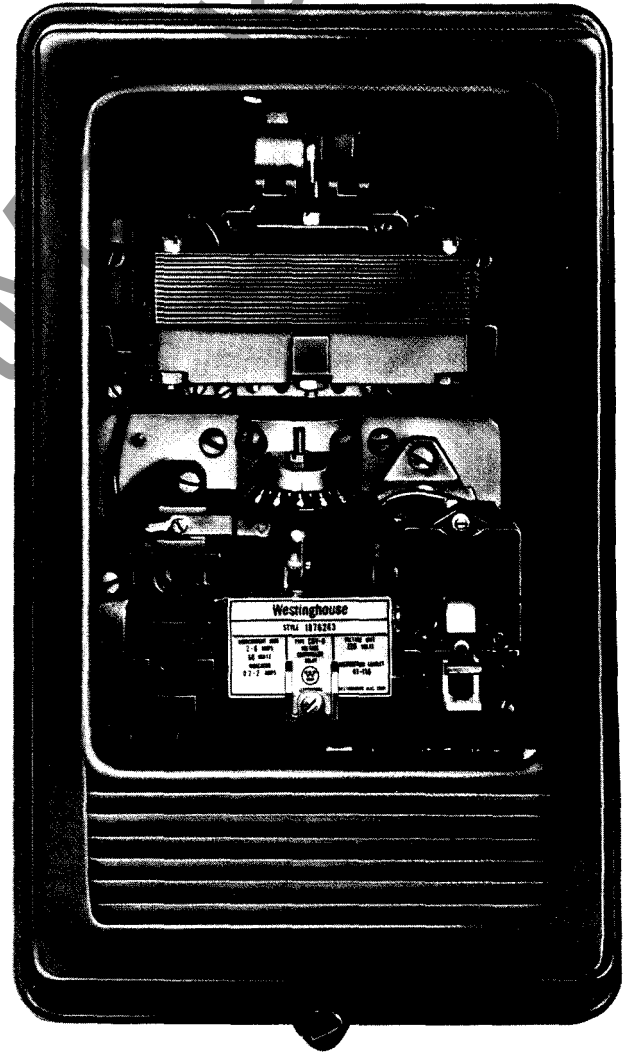
### Double Trip

290B014A09	290B074A10	290B075A11	290B076A14	290B077A15
290B014A10	290B074A11	290B075A14	290B076A15	290B077A16
290B014A11	290B074A14	290B075A15	290B076A16	290B077A18
290B014A14	290B074A15	290B075A16	290B076A18	290B077A19
290B014A15	290B074A16	290B075A18	290B076A19	290B077A20
290B014A16	290B074A18	290B075A19	290B076A20	290B077A21
290B014A18	290B074A19	290B075A20	290B076A21	290B077A22
290B014A19	290B074A20	290B075A21	290B076A22	290B077A23
290B014A20	290B074A21	290B075A22	290B076A23	290B077A24
290B014A21	290B074A22	290B075A23	290B076A24	290B077A25
290B014A22	290B074A23	290B075A24	290B076A25	
290B014A23	290B074A24	290B075A25	290B077A09	
290B014A24	290B074A25	290B076A09	290B077A10	
290B014A25	290B075A09	290B076A10	290B077A11	
290B074A09	290B075A10	290B076A11	290B077A14	

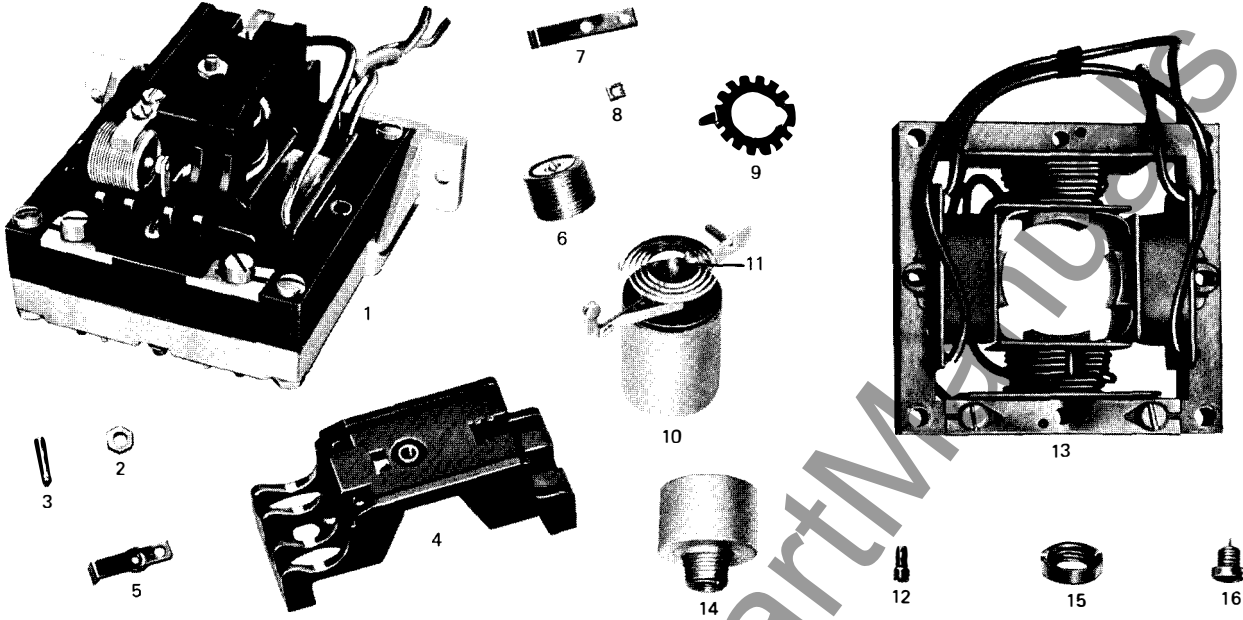
① For Flexitest Case Parts refer to RPD 41-076A1.

### Ordering Information

- Name the part and give its style number.
- Give the complete nameplate reading.
- State method of shipment desired.
- Send all orders or correspondence to nearest sales office of the company.



**Cylinder Unit**



**Cylinder Unit Parts**

Ref. No.	Description of Part	Style Number
1	Cylinder Unit Complete – 120 Volts .....	3498A44G18
1	Cylinder Unit Complete – 208 Volts .....	3498A44G21
2	Nut for upper bearing screw .....	203056
3	Upper bearing screw .....	1545295
4	Bridge and insert .....	60A1533G02
5	Pressure spring to lock stationary contact .....	1730953
6	Stationary contact assembly .....	3491A82G09*
7	Clamp for spring adjuster .....	1730954
8	Nut for spring adjuster clamp screw .....	1008149
9	Spring adjuster .....	1730950
10	Moving element with contact and torque spring (less adjuster) .....	184A930G13 <sup>®</sup> *
11	Upper bearing .....	289B392G01
12	Lower bearing .....	289B393G02
13	Electromagnet – 120 Volts .....	53C8336G34*
13	Electromagnet – 208 Volts .....	53C8336G35*
14	Core .....	1730942
15	Core Nut .....	1730945
16	Lower bearing screw .....	1732079

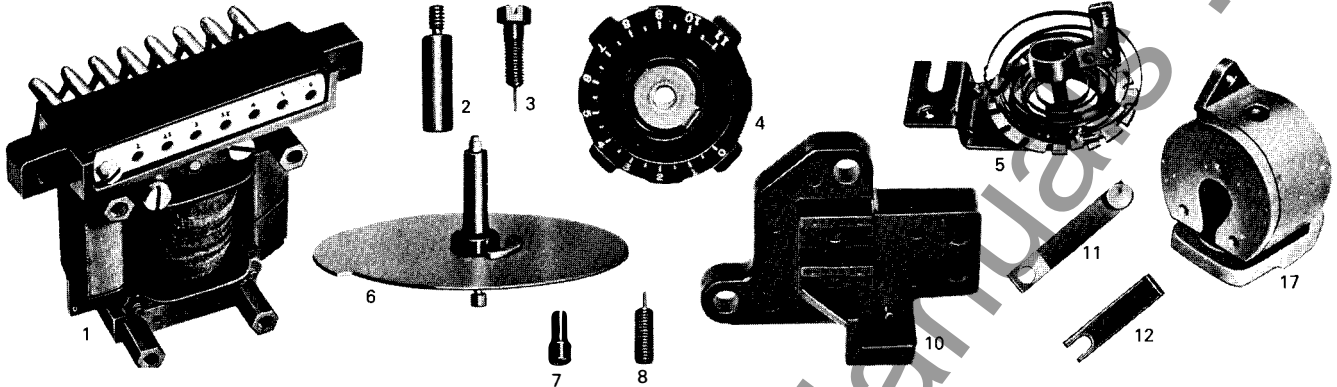
Note: Parts indented are included in part under which they are indented.

<sup>®</sup> This assembly is factory adjusted, do not tamper with cemented sealed screw and nut on contact support arm.

\* Recommended for stock.



"E" Element



"E" Element Parts

Ref. No.	Description of Part	Style Number
1	Electromagnet with tap block and plate.....	See Table*
2	Insulated tap screw .....	1545282 <sup>Ⓞ</sup>
3	Upper bearing screw .....	52D6291G03
4	Dial assembly.....	1878801
5	Moving contact, spring and adjuster assembly.....	See Table
6	Disc and shaft assembly.....	880A772G12*
7	Lower bearing .....	184A440G01
8	Lower bearing screw .....	3499A37G09
Δ9	Nut for lower bearing screw .....	203056
10	Insulation mounting block for stationary contacts .....	33B3110H02
11	Stationary contact for single trip .....	1732776*
11	Stationary contact for double trip .....	52D6280G02 <sup>Ⓞ</sup> *
12	Contact plate – single trip .....	1732759
Δ13	Contact plate – double trip.....	818794 <sup>Ⓞ</sup>
Δ14	Spacer – washer for double trip.....	1878865 <sup>Ⓞ</sup>
Δ15	Adjusting screw for stationary contact – double trip.....	718931 <sup>Ⓞ</sup>
Δ16	Nut to mount stationary contact .....	1008149 <sup>Ⓞ</sup>
17	Permanent magnet.....	See Table

Note: Parts indented are included in the part under which they are indented.

Ⓞ Two (2) used.

Δ Not illustrated.

\* Recommended for stock.

Electromagnet (50 & 60 Hz) and Permanent Magnet

Relay Type	Style Number of Parts			
	.5-2.5 Amps	2-6 Amps	4-12 Amps	Permanent Magnet
COV-5	183A476G06	183A476G11	183A476G16	1732779
COV-6	183A476G06	183A476G11	183A476G16	1732779
COV-7	183A476G07	183A476G12	183A476G17	1732780
COV-8	183A476G08	183A476G13	183A476G18	1732777
COV-9	183A476G08	183A476G13	183A476G18	1732777
COV-11	183A476G09	183A476G14	183A476G19	1732777

Electromagnet (25 Hz) and Permanent Magnet

Relay Type	Style Number of Parts		
	2-6 Amps	4-12 Amps	Permanent Magnet
COV-6	1484B92G22	1484B92G21	1732779
COV-8	1484B92G20	1484B92G23	1732777

Moving Contact, Spring & Adjuster Assy. (50 & 60 Hz)

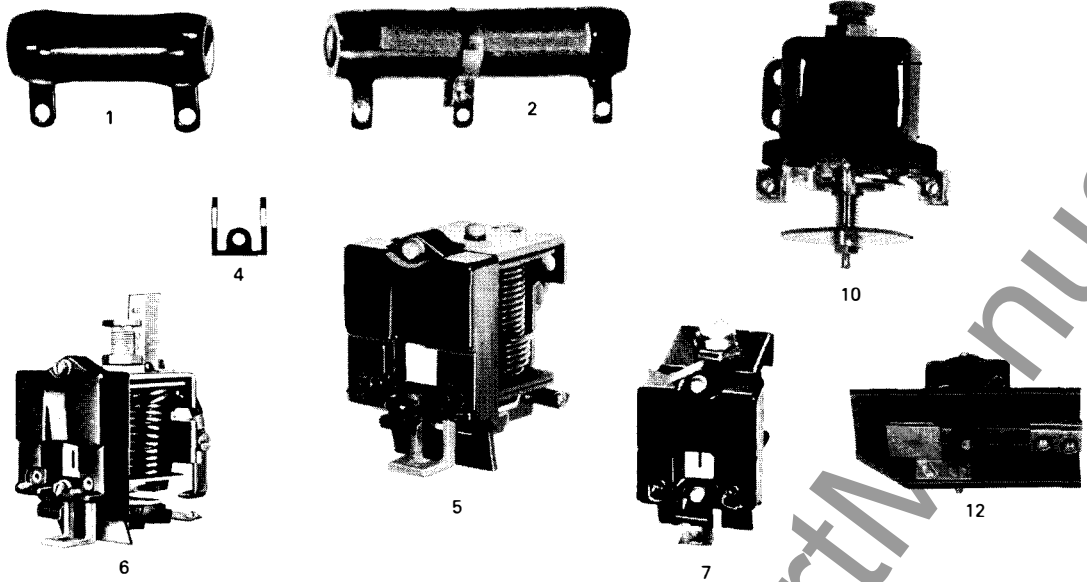
Relay Type	Style Number of Part	
	Single Trip	Double Trip
COV-5	880A721G09	880A721G14
COV-6	880A721G09	880A721G14
COV-7	880A721G09	880A721G14
COV-8	880A721G09	880A721G14
COV-9	880A721G09	880A721G14
COV-11	880A721G11	880A721G16

Moving Contact, Spring and Adjustable Assy. (25 Hz)

Relay Type	Style Number of Part
	Single Trip
COV-6	880A721G11
COV-8	880A721G11



**Cylinder Unit**



**Common Parts**

Ref. No.	Description of Part	Style Number
1	Resistor 600 Ohms (Fixed) – when used	1267283*
2	Resistor 2500 Ohms (Adj.) – when used	1341654*
2	Resistor 4500 Ohms (Adj.) – when used	1730893*
Δ3	Transformer – when used	183A114G02
4	Card holder	182A798H01
5	ICS Unit – when used	See Table ②*
6	IIT Unit – when used	See Table ②*
7	ACS Unit – when used	See Table ②*
Δ8	Stationary Contact for ICS, IIT and ACS Units – Two (2) used per unit	1732868*
Δ9	Stationary Contact for ICS, IIT and ACS Units – One (1) used per unit (Double Trip Only)	183A860G02*
10	ITH Unit – when used	3491A23G07②*
Δ11	Operation Indicator – when used	3491A65G20②④*
12	De-ion Contactor Switch – when used	3491A33G14②*

② For Operation Indicator, De-ion Contactor Switch, ICS, IIT, ACS and ITH Unit Parts refer to RPD 41-852A1.  
 ④ Same as ICS Unit except no contacts.  
 ③ Used only in style 718B852A15.  
 Δ Not illustrated.  
 \* Recommended for stock.

**ICS Unit②**

Target Marking	Style Number of Part .2 to 2.0 Amp	
	Single Trip	Double Trip
Blank	3491A37G17	3491A37G18
T	3491A37G09	3491A37G10

**IIT Unit②**

Range (Amps)	Style Number of Part Target Marking "I"	
	Single Trip	Double Trip
2-8	3491A24G13	3491A24G21
4-16	3491A24G09	3491A24G17
10-40	3491A24G10	3491A24G18
20-80	3491A24G11	3491A24G19
40-160	3491A24G12	3491A24G20

**ACS Unit②**

Rating (Amps)	Style Number of Part Single Trip	
	Target Marking Blank	Target Marking "T"
.25	3491A30G10	—
1	3491A30G16	3491A39G20
1	3517A66G11⑤	—