



March, 1986
New Information
Mailed to: E, D, C/41-400B

In FT-21 Flexitest Case ①

Type KAB High Impedance Bus Differential Relay

KAB Relay

Complete Relay Style Number	Frequency (Hz)	Relay Rating (Vac)	ICS Unit Rating (Amps)	IT Unit Rating (Amps)
6668D37A01	60	75-300	0.2-2.0	3-48
6668D37A02	60	75-300	0.2-2.0	...
6668D37A03	50	75-300	0.2-2.0	3-48
6668D37A04	60	75-300	0.2-2.0	3-48
6668D37A05	50	75-300	0.2-2.0	3-48
6668D37A07	60	75-300	1.0	3-48
6668D37A08	60	75-300	0.2-2.0	...
6668D37A09	60	100-400	0.2-2.0	3-48
6668D37A11	60	75-300	0.2-2.0	3-48
6668D37A12	60	75-300	0.2-2.0	3-48
6668D37A13	50	75-300	0.2-2.0	3-48
6668D37A15	60	75-300	1.0	3-48
6668D37A16	60	75-300	0.2-2.0	...
6668D37A17	60	100-400	0.2-2.0	3-48
6668D37A19	60	75-300	0.2-2.0	3-48
6668D37A21	50	75-300	0.2-2.0	...
6668D37A22	60	75-200	0.2-2.0	3-48
6668D37A23	50	75-200	0.2-2.0	3-48
6668D37A25	60	75-200	1.0	3-48
6668D37A26	60	75-200	0.2-2.0	...
6668D37A27	60	150-400	0.2-2.0	3-48
6668D37A29	60	75-200	0.2-2.0	3-48
6668D37A31	50	75-200	0.2-2.0	...
6668D37A32	50	150-400	0.2-2.0	3-48

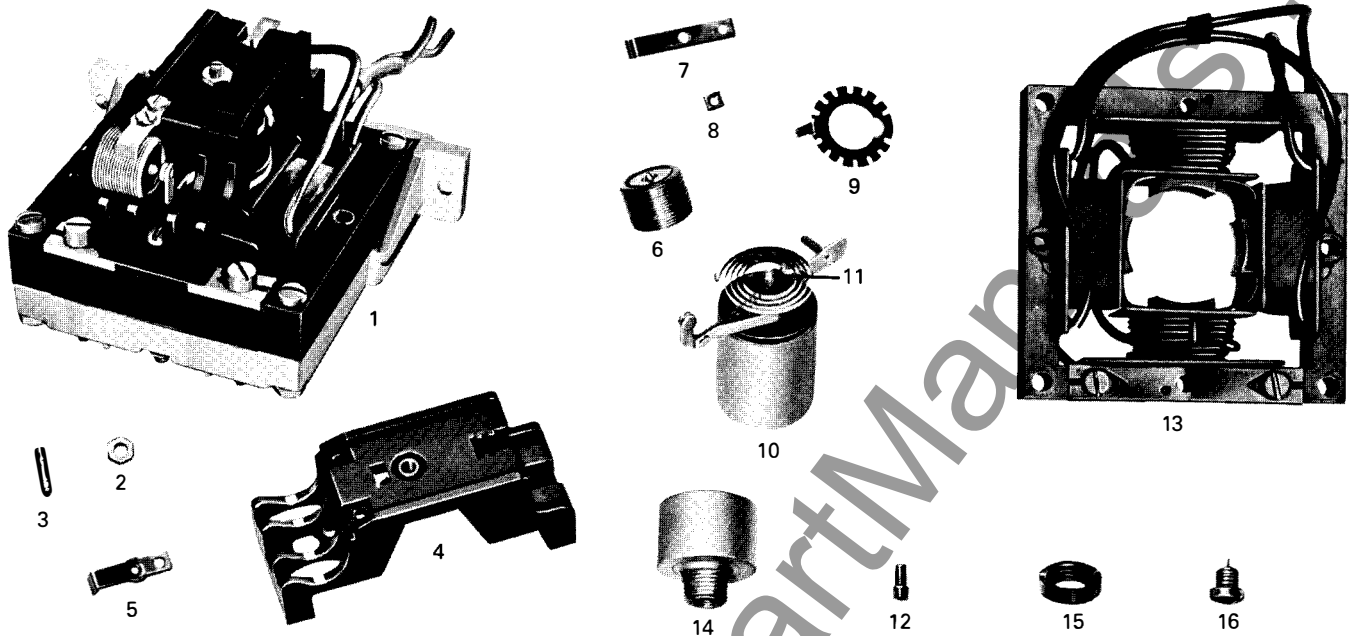
① For Flexitest Case Parts refer to RPD 41-076A1.

Ordering Information

- Name the part and give its style number.
- Give the complete nameplate reading.
- State method of shipment desired.
- Send all orders or correspondence to nearest sales office of the company.



Cylinder Unit



Cylinder Unit

Ref. No.	Description of Part	Style Number
1	Cylinder Unit Complete (75-200 and 75-300 Volts Ac)	6669D79G01 [Ⓔ]
1	Cylinder Unit Complete (150-400 and 100-400 Volts Ac)	6669D79G03 [Ⓔ]
2	Nut for Upper Bearing Screw	203 056
3	Upper Bearing Screw	3499A37G11
4	Bridge and Insert	60A1533G03
5	Pressure Spring to Lock Stationary Contact	1730 953
6	Stationary Contact Assembly (L.H.)	3491A82G09*
7	Clamp for Spring Adjuster	1730 954
8	Nut for Spring Adjuster Clamp Screw	1008 149
9	Spring Adjuster	1730 950
10	Moving Element With Contact and Torque Spring (Less Adjuster)	184A930G22 [Ⓔ] *
11	Upper Bearing	289B392G01
12	Lower Bearing	289B393G02
13	Electromagnet (75-200 and 75-300 Volts Ac)	264C561G01*
13	Electromagnet (150-400 and 100-400 Volts Ac)	264C561G03*
14	Core	1730 942
15	Core Nut	1730 945
16	Lower Bearing Screw	3499A37G10

NOTE: Parts indented are included in the part under which they are indented.

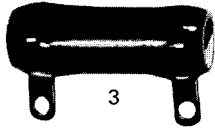
[Ⓔ] This assembly is factory adjusted, do not tamper with cemented sealed screw and nut on contact support arm.

[Ⓔ] The style number of the cylinder unit is stamped on its frame.

* Recommended for stock.



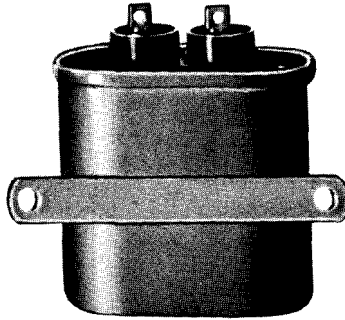
Common Parts



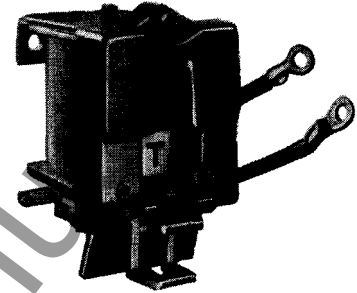
3



7



4



6

Common Parts

Ref. No.	Description of Part	Style Number
1Δ	Reactor (75-200 and 75-300 Volts Ac).....	290B179G05*
	Reactor (150-400 and 100-400 Volts Ac).....	290B179G10*
2Δ	Varistor.....	775B867H01⑤*
3	Resistor 27K Ohms, 2 Inch, Fixed.....	184A643H06④*
4	Capacitor .6 MFD.....	14C9400H10*
	Capacitor .7 MFD.....	606B340H14*
	Capacitor .8 MFD.....	14C9400H15③*
	Capacitor 1.0 MFD.....	1877 966③*
	Capacitor 1.0 MFD.....	606B340H15③④*
5Δ	IT Unit (3-48 Amps, Single Trip, No Target).....	3491A41G11②*
6	ICS Unit (0.2-2.0 Amps, Single Trip, Blank).....	3491A37G17②*
	ICS Unit (1.0 Amps, Single Trip, Blank).....	3491A36G15②*
7	Stationary Contact For IT and ICS Units.....	1732 868③*

② For IT and ICS Unit parts refer to RPD 41-852A1.

③ Two (2) used.

④ Used in relays 6668D37A09, A17, A27 and A32 only.

⑤ Used in relays 6668D37A01 through A11 only.

Δ Not illustrated.

* Recommended for stock.



www.ElectricalPartManuals.com

Printed in USA

Westinghouse Electric Corporation
Relay and Telecommunications Division
Coral Springs, FL 33065