



# Power Circuit Breakers

## Position Switch Kit for Substructure Cat. No. TAK1SR01, TAK1SR02, TAK1SR01F, TAK1SR02F

**CAUTION:** To avoid electrical hazard, make sure primary and secondary circuits are not energized while working in the compartment.

**KIT CONTENTS (CAT. NO. 343L881G1,2,3)**

The kit shown in Figure 1 contains the switch assembly, mounting hardware, wire ties, and grommet strip.

**RATING 10 AMP-600VAC**

| CONTACT<br>CONDITION | CAT. NO. 343L881G- |     |       |       |       |       |
|----------------------|--------------------|-----|-------|-------|-------|-------|
|                      | 3                  |     |       |       |       |       |
|                      | 2                  |     |       | 1     |       |       |
|                      | 1                  |     |       |       |       |       |
| NC                   | 1-2                | 5-6 | 9-10  | 13-14 | 17-18 | 21-22 |
| NO                   | 3-4                | 7-8 | 11-12 | 15-16 | 19-20 | 23-24 |

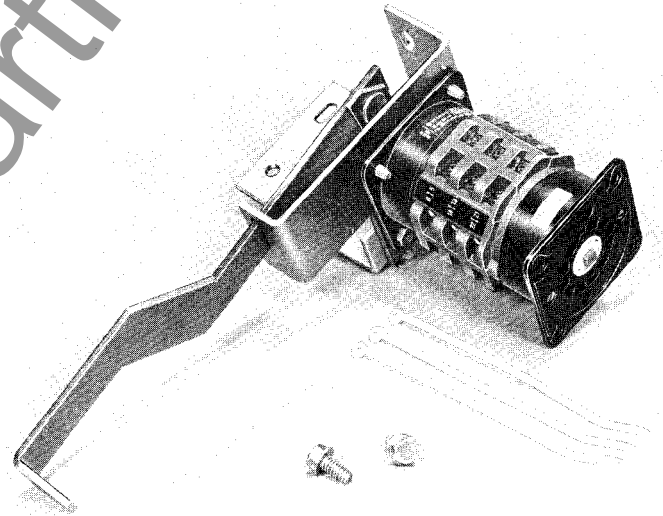


Figure 1.

See back . . .

## INSTRUCTIONS

Install the unit as shown in Figure 2 where two holes are located in the right top flange just behind the secondary disconnect support. Install one mounting screw through the round hole first for accurate positioning.

Make electrical connections as desired (1/4" wire strip required). The table shows the unactuated switching sequence.

Use wire ties to bundle and anchor wires and the grommet strip to line one of the 1/4" diameter wiring access holes.

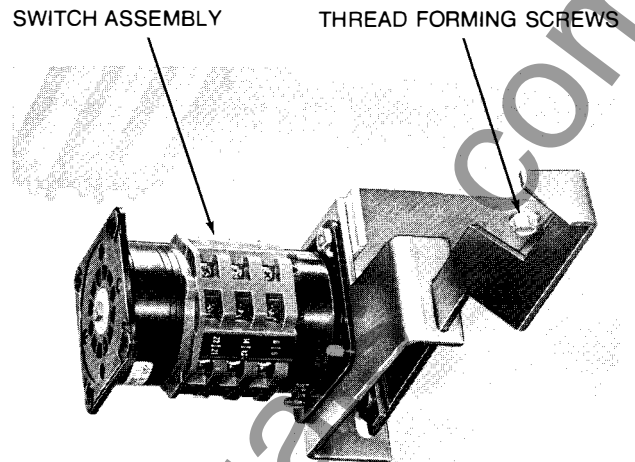


Figure 2.

© 1985 GENERAL ELECTRIC COMPANY

*These instructions do not purport to cover all details or variations in equipment nor to provide for every possible contingency to be met in connection with installation operation or maintenance. Should further information be desired or should particular problems arise which are not covered sufficiently for the purchaser's purposes, the matter should be referred to the General Electric Company.*

For further information  
call or write your local  
General Electric  
Sales Office or . . .

General Electric  
Company  
41 Woodford Avenue  
Plainville, CT 06062 U.S.A.

Outside the U.S. and Canada write International Trading Operations.  
570 Lexington Avenue, New York, NY 10022 U.S.A.  
GEH-5033 0185 PSA

GENERAL  ELECTRIC