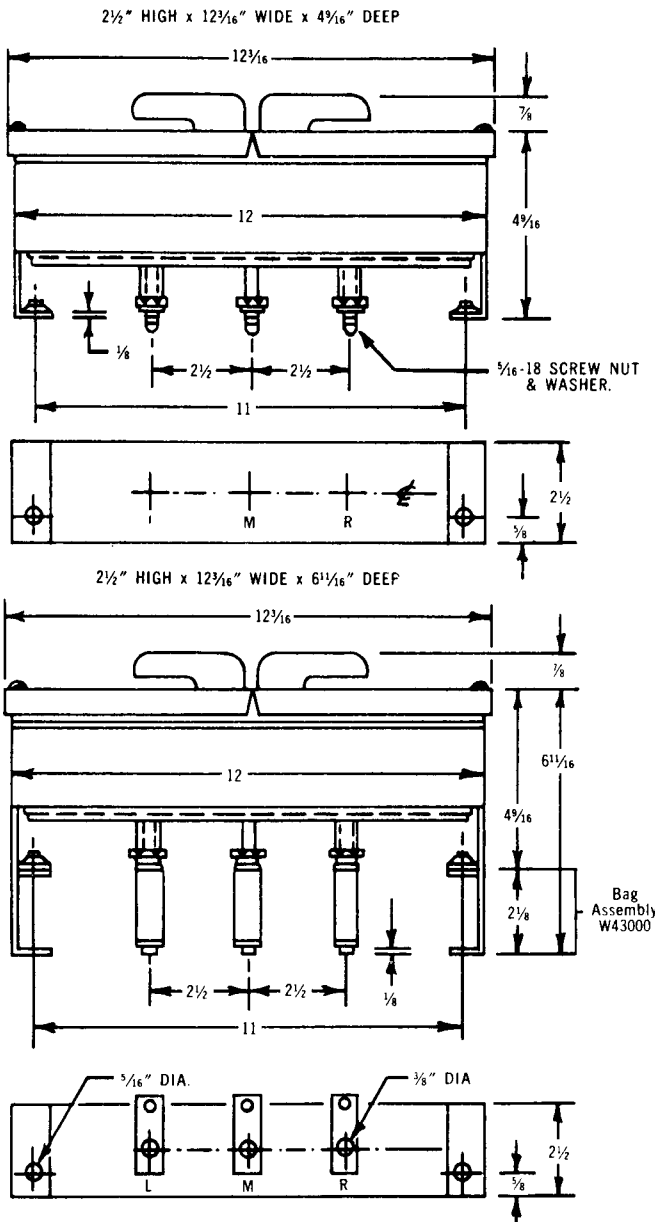




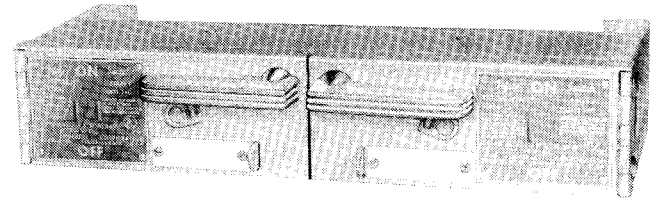
30-30 AMPERE-2 AND 3 POLE DOUBLE BRANCH UNIT

250 VOLTS
12" WIDE

DIMENSIONAL DATA



DESCRIPTION



53398A

COMPACT 2 1/2" SLIDING CONTACT UNIT

Units offer a unique, lateral-sliding contact design which makes these Units tremendous space-savers. In addition, the quick-make, quick-break action of the over-center operating spring minimizes contact arcing and pitting.

Semi-Floating, copper contact rings are mounted around sliding strips of insulation that move laterally during operation. Wedging of contact rings between the fixed contacts, closes the circuits (ON). The lateral disengagement of the rings from the fixed contacts open the circuit (OFF).

Load terminals are an integral part of the Fuse Grips and are suitable for #8 AWG Conductors.

Cannot be "J" Fused.

ACCESSORIES	
Catalog Number	Description
W43000	Bag Assembly to extend Unit depth to 6 3/4" includes: 3 Connection Straps 3 Connection Screws 5/16-18 2 Mounting Leg Extensions 4 Mounting Screws 1/4-20

GENERAL INFORMATION								
Catalog No.	Horsepower Rating			Ampere Rating	Number of Poles	Number and Range of Lugs Per Leg	Position of Unit Connectors	Unit Wgt. Lbs.
	Std.	Max.	250V DC					
V2A2211	1 1/2	3	5	30-30	2	1-#14-#8 AWG	LM-LR-MR	5
V2A3211	3	7 1/2	-	30-30	3	1-#14-#8 AWG	LMR	5

SEE SECTION 1.6.2 FOR PRICES

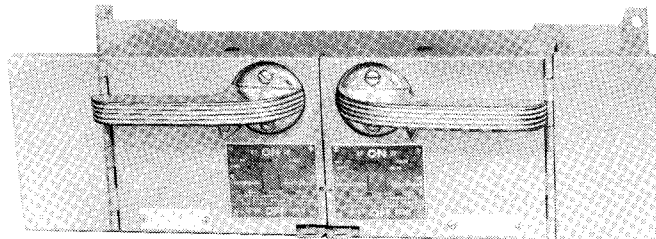


250 VOLTS
17" WIDE

30-30 AMPERES—2 AND 3 POLE DOUBLE BRANCH UNIT

DIMENSIONAL DATA

DESCRIPTION



53403A

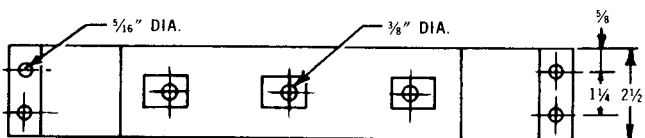
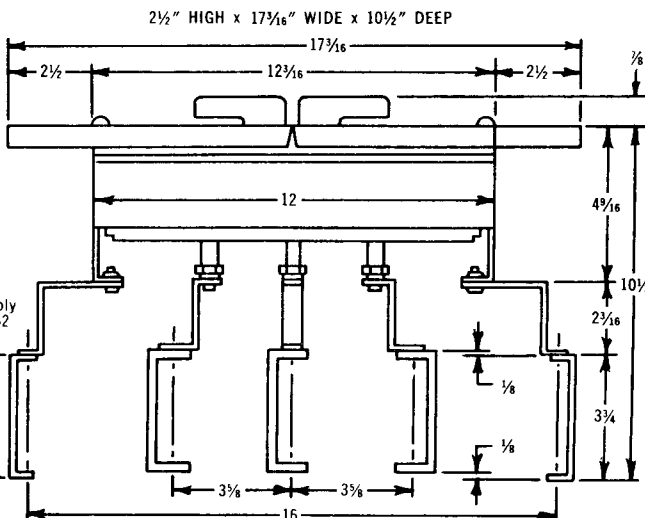
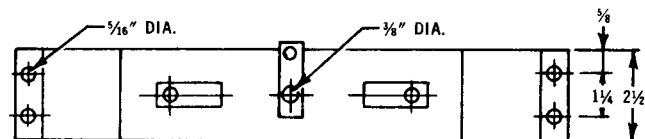
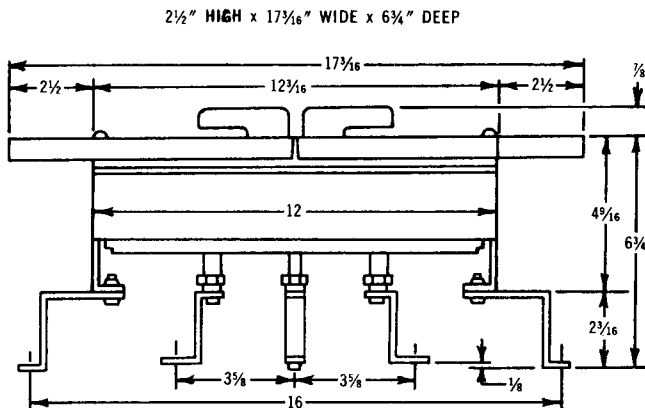
COMPACT 2½" SLIDING CONTACT UNIT

Units offer a unique, lateral-sliding contact design which makes these Units tremendous space-savers. In addition, the quick-make, quick-break action of the over-center operating spring minimizes contact arcing and pitting.

Semi-Floating, copper contact rings are mounted around sliding strips of insulation that move laterally during operation. Wedging of contact rings between the fixed contacts, closes the circuit (ON). The lateral disengagement of the rings from the fixed contacts open the circuit (OFF).

Load terminals are an integral part of the Fuse Grips and are suitable for #8 AWG Conductors.

Cannot be "J" Fused.



ACCESSORIES	
Catalog Number	Description
W48762	Bag assembly to extend depth to 10½" includes: 3 Connection Straps 3 Connection Screws 5/16-18 2 Mounting Leg Extensions 4 Mounting Screws ¼-20

GENERAL INFORMATION								
Catalog No.	Horsepower Rating			Ampere Rating	Number of Poles	Number and Range of Lugs Per Lug	Position of Unit Connectors	Unit Wgt. Lbs.
	Std.	Max.	250V DC					
V7A2211	1½	3	5	30-30	2	1-#14 to #8 AWG	LR-LM-MR	5
V7A3211	3	7½	—	30-30	3	1-#14 to #8 AWG	LMR	5

SEE SECTION 1.6.2 FOR PRICES

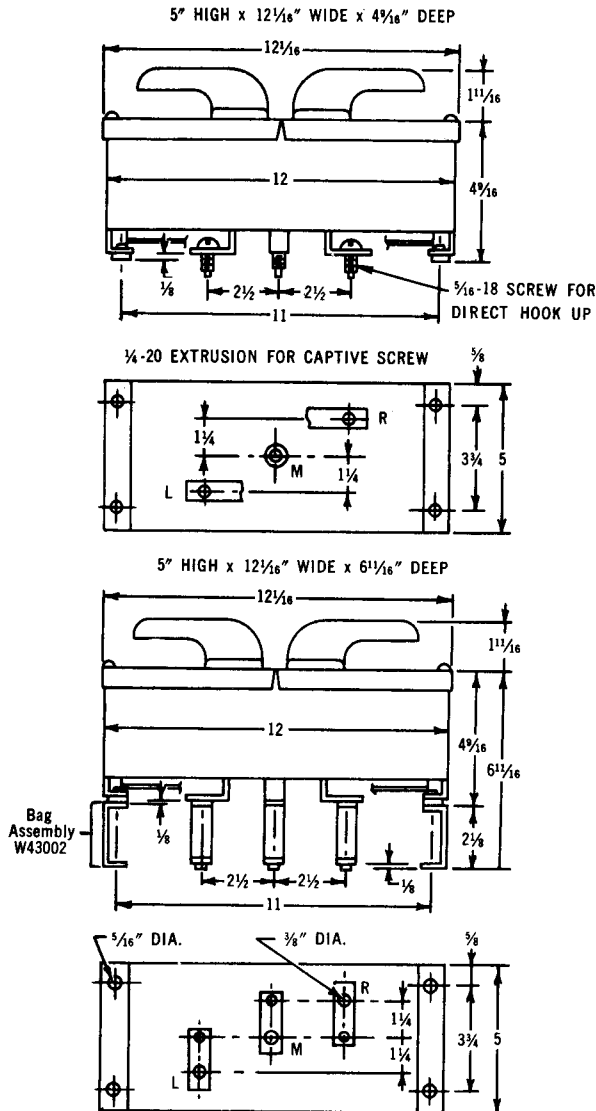


30-30 AMPERES
 30-60 AMPERES
 60-60 AMPERES

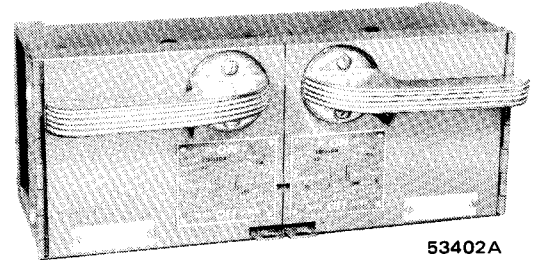
2 AND 3 POLE DOUBLE BRANCH UNITS

250 VOLTS
 12" WIDE

DIMENSIONAL DATA



DESCRIPTION



These Double Branch Vacu-Break® Panelboard Units are available in ratings of 30-30, 30-60, or 60-60 Amperes, 250 Volt, 2 and 3 poles.

Features include: Voidable Cover Interlock, Padlock Member for locking handle in "ON" or "OFF" position. All mounting and connection screws are bullet-nosed, and captive to the Unit. Additional features are: Standard NEMA Phasing, plastic covered card for clearly visible circuit identification. These Units can be modified for use in deeper (6³/₄") boxes with Bag Assembly Accessories.

Cannot be "J" Fused.

ACCESSORIES	
Catalog Number	Description
W43002	Bag Assembly Includes: 3 Connection Straps 3 Connection Screws 5/16-18 2 Mounting Leg Extensions 4 Mounting Screws 1/4-20

GENERAL INFORMATION								
Catalog No.	Horsepower Rating			Ampere Rating	Number of Poles	Number and Range of Lugs	Position of Unit Connectors	Unit Wgt. Lbs.
	Std.	Max.	250V DC					
V2B2211	1 1/2	3	5	30-30	2	1-#14 to #4	LR-LM-MR	9
V2B2212	1 1/2-3	3-10	5-10	30-60	2	1-#14 to #4	LR-LM-MR	9
V2B2222	3	10	10	60-60	2	1-#14 to #4	LR-LM-MR	9
V2B3211	3	7 1/2	-	30-30	3	1-#14 to #4	LMR	9
V2B3212	3-7 1/2	7 1/2-15	-	30-60	3	1-#14 to #4	LMR	9
V2B3222	7 1/2	15	-	60-60	3	1-#14 to #4	LMR	9

SEE SECTION 1.6.2 FOR PRICES

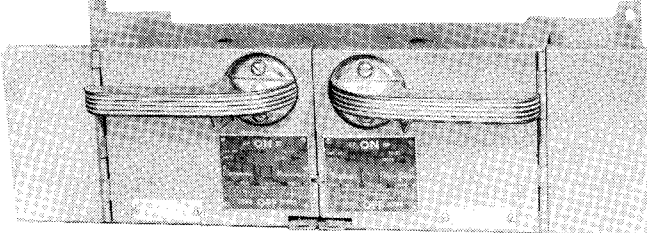


FUSIBLE UNITS FOR PANELBOARDS AND SWITCHBOARDS

**250 VOLTS
17" WIDE**

**30-30 AMPERE
30-60 AMPERE
60-60 AMPERE** — 2 AND 3 POLE DOUBLE BRANCH UNITS

DESCRIPTION



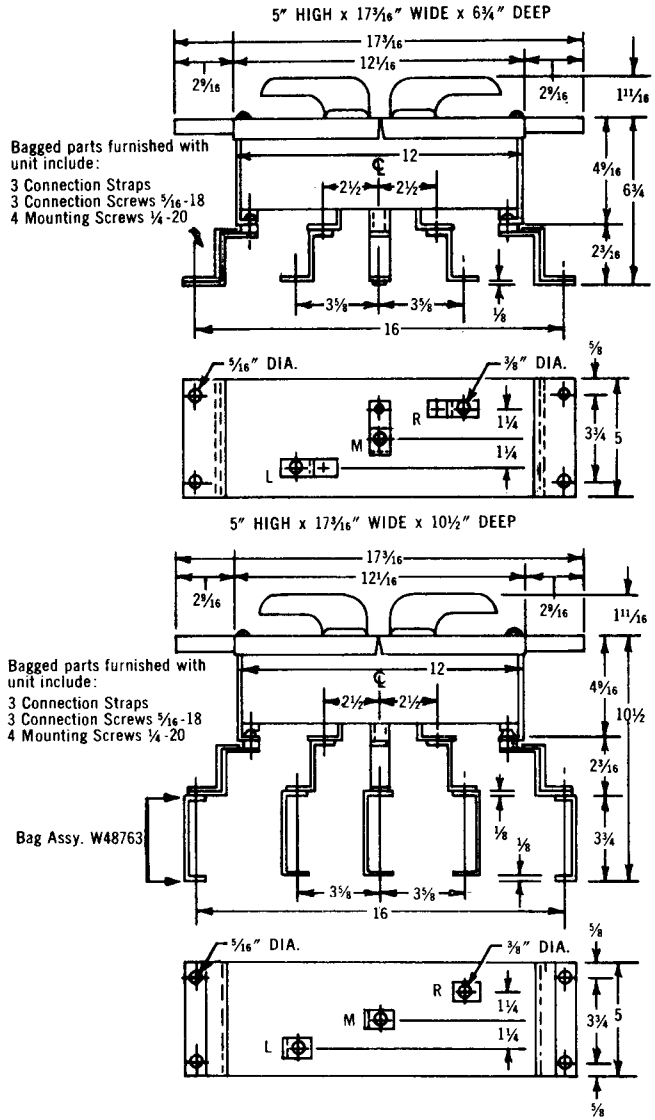
53403A

These Double Branch Vacu-Break® Panelboard Units are available in ratings of 30-30, 30-60, or 60-60 Amperes, 250 Volt, 2 and 3 poles.

Features include: Voidable Cover Interlock, Padlock Member for locking handle in "ON" or "OFF" position. All mounting and connection screws are bullet-nosed, and captive to the Unit. Additional features are: Standard NEMA Phasing, plastic covered card for clearly visible circuit identification. These Units can be modified for use in deeper (6¾") boxes with Bag Assembly Accessories.

Cannot be "J" Fused.

DIMENSIONAL DATA



ACCESSORIES	
Catalog Number	Description
W48763	Bag Assembly to extend depth to 10½" includes: 3 Connection Straps 3 Connection Screws 5/16-18 2 Mounting Leg Extensions 4 Mounting Screws ¼-20

GENERAL INFORMATION								
Catalog No.	Horsepower Rating			Ampere Rating	Number of Poles	Number and Range of Lugs Per Leg	Position of Unit Connectors	Unit Wgt. Lbs.
	Std.	Max.	250V DC					
V7B2211	1½	3	5	30-30	2	1-#14 to #4	LR-LM-MR	9
V7B2212	1½-3	3-10	5-10	30-60	2	1-#14 to #4	LR-LM-MR	9
V7B2222	3	10	10	60-60	2	1-#14 to #4	LR-LM-MR	9
V7B3211	3	7½	—	30-30	3	1-#14 to #4	LMR	9
V7B3212	3-7½	7½-15	—	30-60	3	1-#14 to #4	LMR	9
V7B3222	7½	15	—	60-60	3	1-#14 to #4	LMR	9

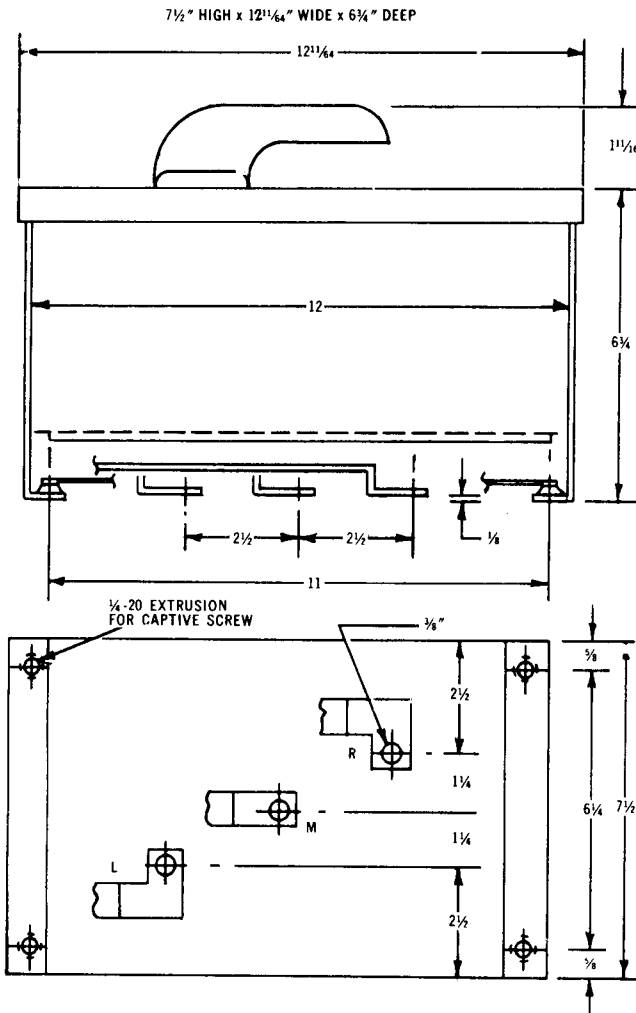
SEE SECTION 1.6.2 FOR PRICES



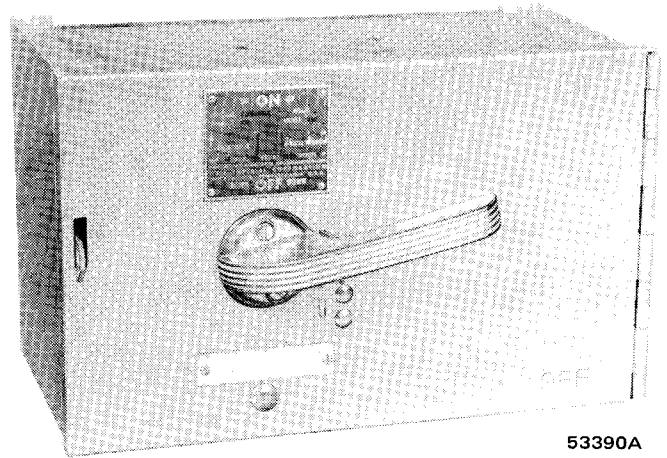
100 AMPERE-2 AND 3 POLE SINGLE BRANCH UNIT

250 VOLTS
12" WIDE

DIMENSIONAL DATA



DESCRIPTION



This Single Branch Vacu-Break® Unit is rated at 100 Amperes, 250 Volts, 2 and 3 poles. Included in features provided in this Horsepower Rated Unit are: Voidable Cover Interlock, Padlock Member for locking Handle in "ON" or "OFF" position, removable Line and Load Bases, Aluminum or Copper Wire Grips (easy replacement from front of Unit) and removable Fuse Grips. In addition these Vacu-Break Units have captive bullet-nosed mounting and connection screws, and plastic covered circuit identification card. NEMA Phasing is standard.

ACCESSORIES	
Catalog Number	Description
W49827	"J" Fuse Modification Kit

GENERAL INFORMATION								
Catalog No.	Horsepower Rating			Ampere Rating	Number of Poles	Number and Range of Lugs	Position of Unit Connectors	Unit Wgt. Lbs.
	Std.	Max.	250V DC					
V2E2203	7 1/2	15	20	100	2	1-#10 to 1/0	LR-LM-MR	14
V2E3203	15	30	-	100	3	1-#10 to 1/0	LMR	14

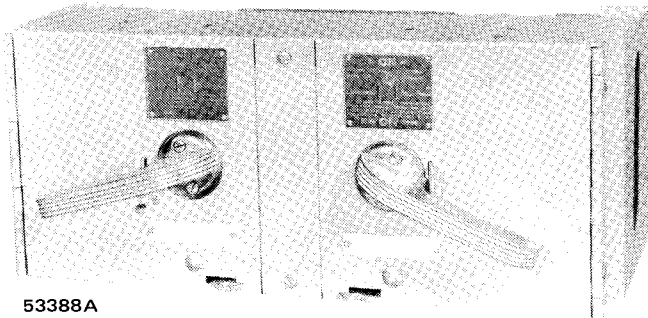
SEE SECTION 1.6.2 FOR PRICES



**250 VOLTS
17" WIDE**

100-100 AMPERE-2 AND 3 POLE DOUBLE BRANCH UNIT

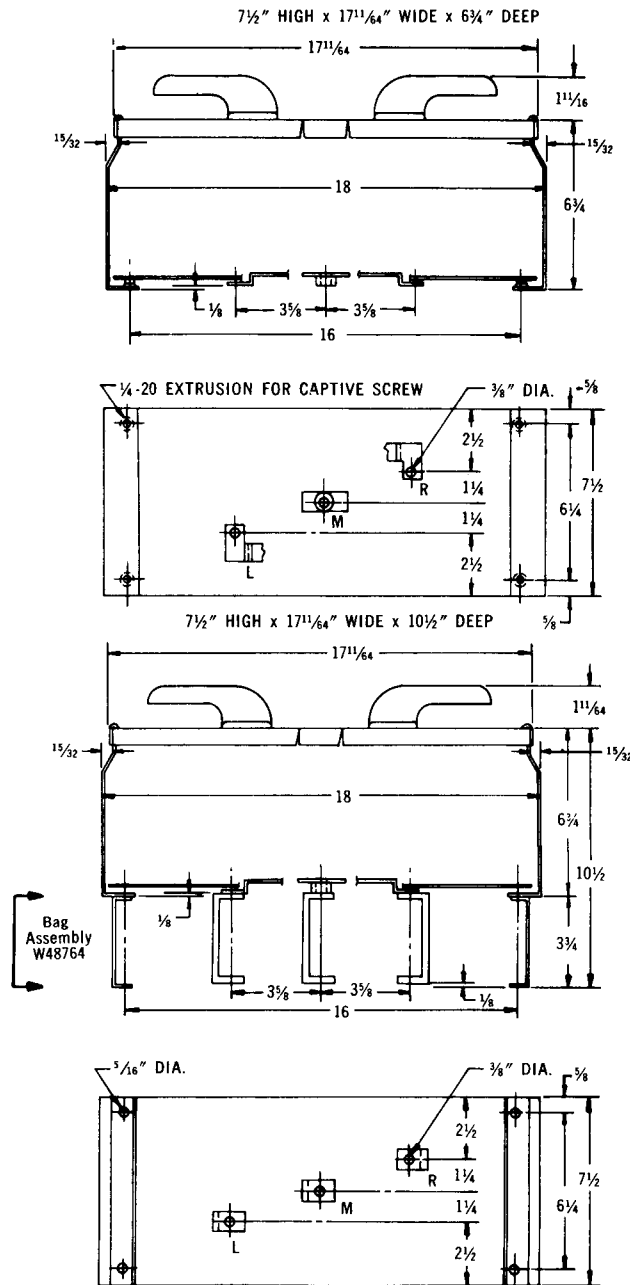
DESCRIPTION



53388A

This Double Branch Vacu-Break® Unit is rated at 100-100 Amperes, 250 Volts, 2 and 3 poles. Included in features provided in this Horsepower Rated Unit are: Voidable Cover Interlock, Padlock Member for locking Handle in "ON" or "OFF" position, removable Line and Load Bases, Aluminum or Copper Wire Grips (easy replacement from front of Unit) and removable Fuse Grips. In addition these Vacu-Break Units have captive bullet-nosed mounting and connection screws, and plastic covered circuit identification card. NEMA Phasing is standard.

DIMENSIONAL DATA



ACCESSORIES	
Catalog Number	Description
W48764	Bag Assembly to extend depth to 10 1/2" includes: 3 Connection Straps 3 Connection Screws 5/16-18 2 Mounting Leg Extensions 4 Mounting Screws 1/4-20
W49827	"J" Fuse Modification Kit

GENERAL INFORMATION

Catalog No.	Horsepower Rating			Ampere Rating	Number of Poles	Number and Range of Lugs Per Leg	Position of Unit Connectors	Unit Wgt. Lbs.
	Std.	Max.	250V DC					
V7E2233	7 1/2	15	20	100-100	2	1-#10 to 1/0	LR-LM-MR	20
V7E3233	15	30	--	100-100	3	1-#10 to 1/0	LMR	20

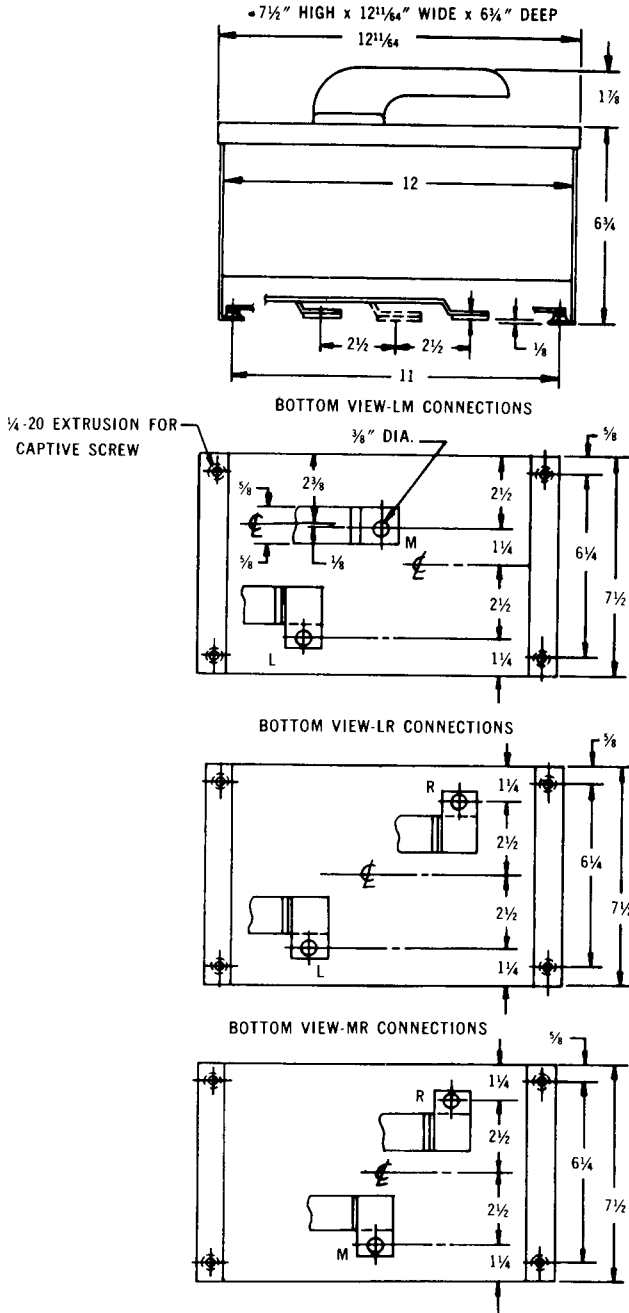
SEE SECTION 1.6.2 FOR PRICES



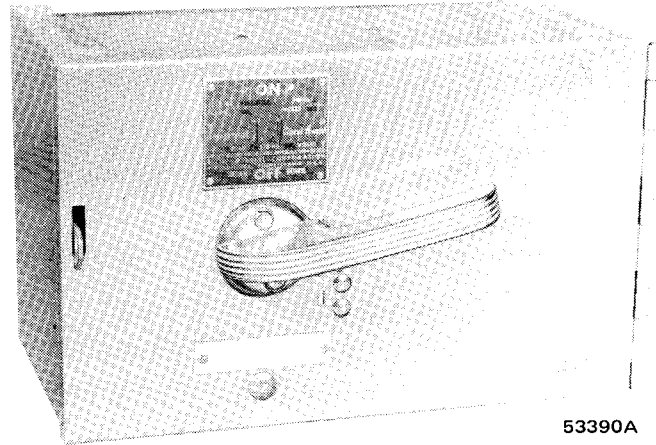
200 AMPERE-2 POLE SINGLE BRANCH UNIT

250 VOLTS
12" WIDE

DIMENSIONAL DATA



DESCRIPTION



This is a compact, 200 Ampere, 2 Pole, 250 Volt Horsepower Rated Vacu-Break® Unit. Some features of this 7 1/2" High Unit are: Voidable Cover Interlock with foolproof mechanism, Removable Line and Load Bases, Removable Wire Grips suitable for Copper or Aluminum and Removable Fuse Grips. Mounting and connection screws are bullet-nosed for easy assembly (mounting screws are captive). Additional features provide: NEMA Phasing, plastic covered circuit identification card, Padlock Member to lock Handle in "ON" or "OFF" position. These units can be modified to accept "J" Fuses

ACCESSORIES	
Catalog Number	Description
W49819	"J" Fuse Modification Kit

GENERAL INFORMATION								
Catalog No.	Horsepower Rating			Ampere Rating	Number of Poles	Number and Range of Lugs	Position of Unit Connectors	Unit Wgt. Lbs.
	Std.	Max.	250V DC					
V2E2204	15	—	40	200	2	1-#6 to 250 MCM	LR-LM-MR	21

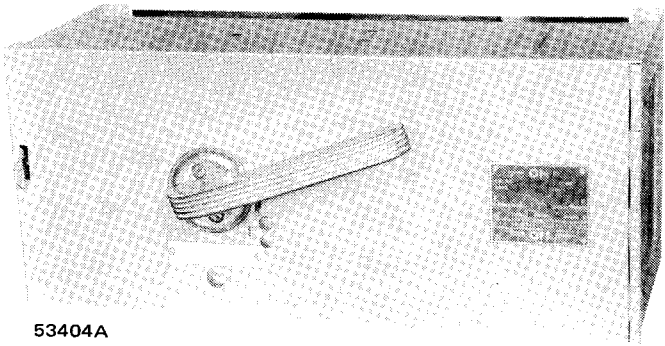
SEE SECTION 1.6.2 FOR PRICES



**250 VOLTS
17" WIDE**

200 AMPERE—2 POLE SINGLE BRANCH UNIT

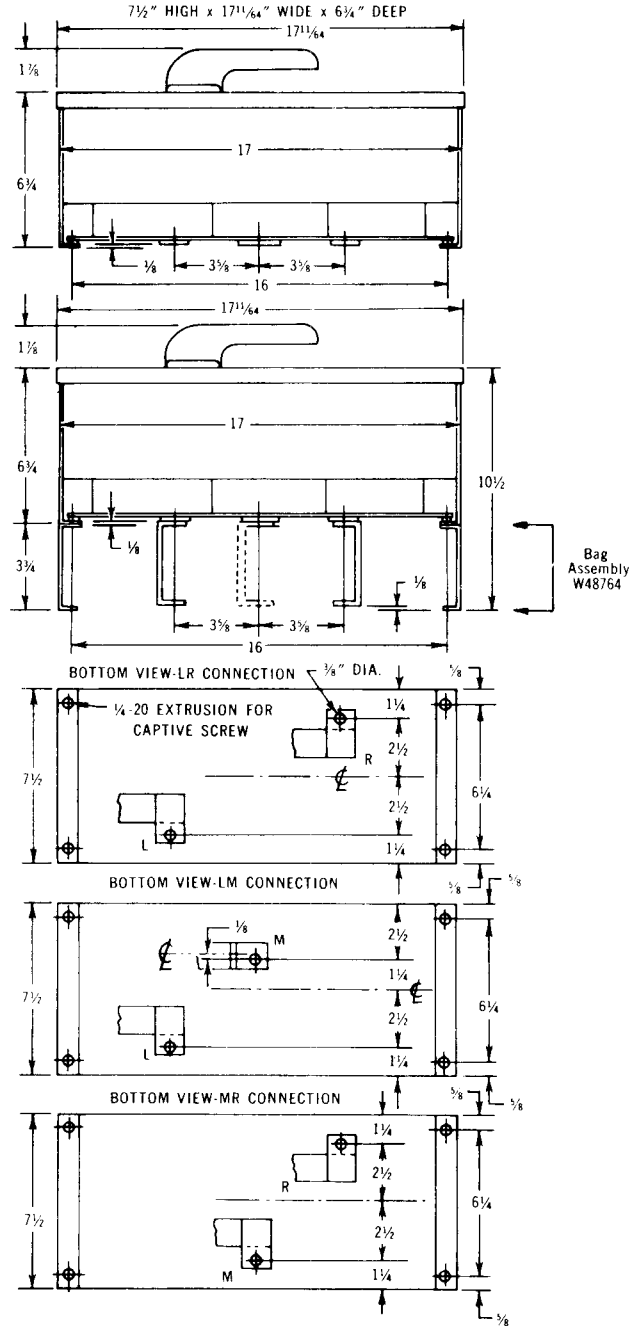
DESCRIPTION



53404A

This is a compact, 200 Ampere, 2 Pole, 250 Volt Horsepower Rated Vacu-Break® Unit. Some features of this 7½" High Unit are: Voidable Cover Interlock with foolproof mechanism, Removable Line and Load Bases, Removable Wire Grips suitable for Copper or Aluminum and Removable Fuse Grips. Mounting and connection screws are bullet-nosed for easy assembly (mounting screws are captive). Additional features provide: NEMA Phasing, plastic covered circuit identification card, Padlock Member to lock Handle in "ON" or "OFF" position. These units can be modified to accept "J" Fuses.

DIMENSIONAL DATA



ACCESSORIES	
Catalog Number	Description
W48764	Bag Assembly to extend depth to 10½" includes: 3 Connection Straps 3 Connection Screws 5/16-18 2 Mounting Leg Extensions 4 Mounting Screws ¼-20
W49819	"J" Fuse Modification Kit

GENERAL INFORMATION								
Catalog No.	Horsepower Rating			Ampere Rating	Number of Poles	Number and Range of Lugs	Position of Unit Connectors	Unit Wgt. Lbs.
	Std.	Max.	250V DC					
V7E2204	15	—	40	200	2	1-#6 to 250 MCM	LR-LM-MR	21

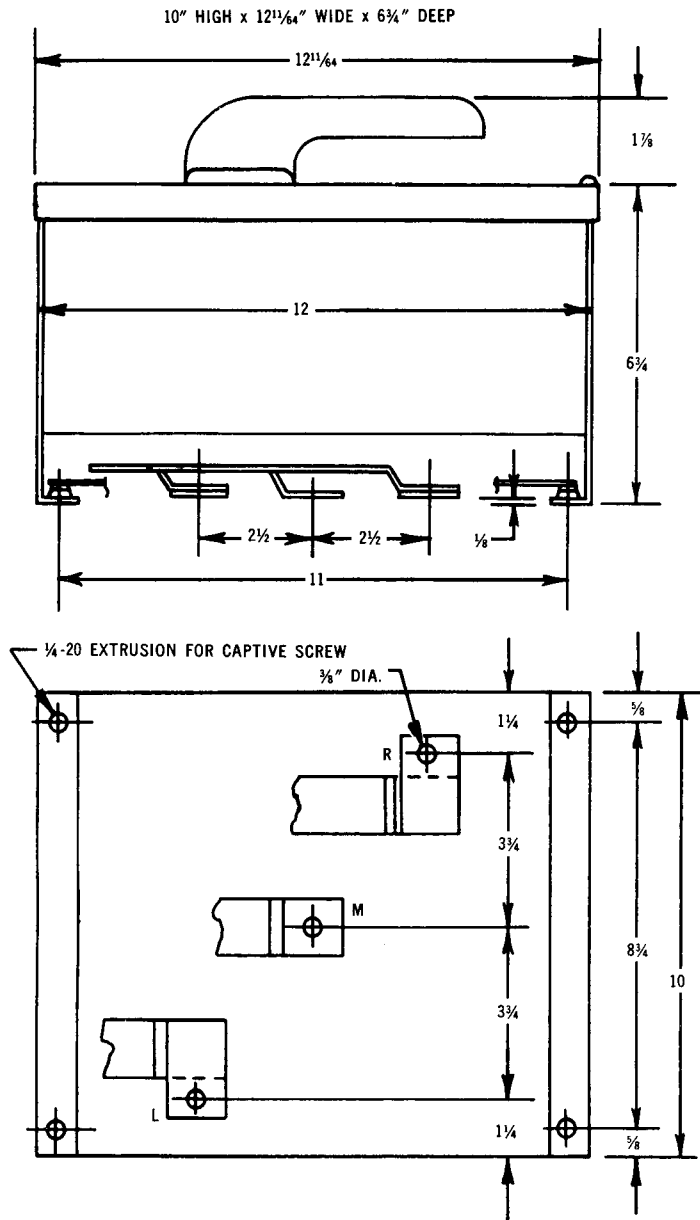
SEE SECTION 1.6.2 FOR PRICES



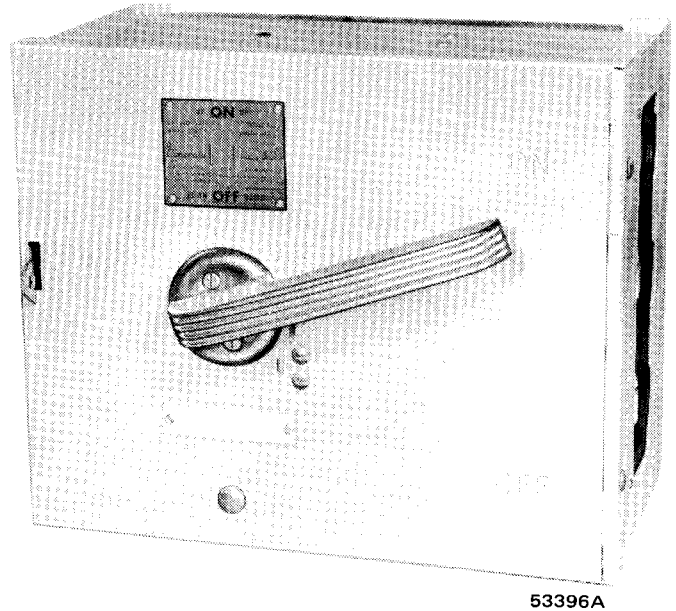
200 AMPERE-3 POLE SINGLE BRANCH UNIT

250 VOLTS
12" WIDE

DIMENSIONAL DATA



DESCRIPTION



This is a 200 Ampere, 3 Pole, 250 Volt Horsepower Rated Vacu-Break® Unit. Some features of this 10" High Unit are: Voidable Cover Interlock with foolproof mechanism, Removable Wire Grips suitable for Copper or Aluminum and Removable Fuse Grips. Mounting and connection screws are bullet-nosed for easy assembly (mounting screws are captive). Additional features provide: NEMA Phasing, plastic covered circuit identification card, Padlock Member to lock Handle in "ON" or "OFF" position. These units can be modified to accept "J" Fuses.

ACCESSORIES	
Catalog Number	Description
W49819	"J" Fuse Modification Kit

GENERAL INFORMATION								
Catalog No.	Horsepower Rating			Ampere Rating	Number of Poles	Number and Range of Lugs	Position of Unit Connectors	Unit Wgt. Lbs.
	Std.	Max.	250V DC					
V2F3204	25	60	—	200	3	1-#6 to 250 MCM	LMR	21

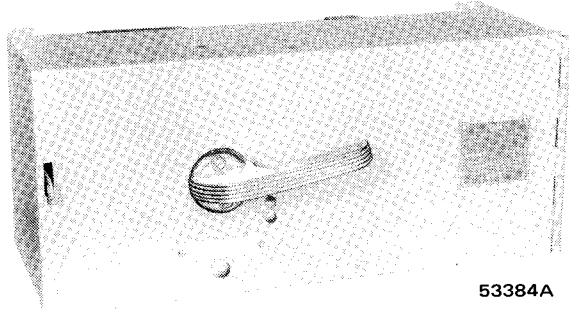
SEE SECTION 1.6.2 FOR PRICES



**250 VOLTS
17" WIDE**

200 AMPERE-3 POLE SINGLE BRANCH UNIT

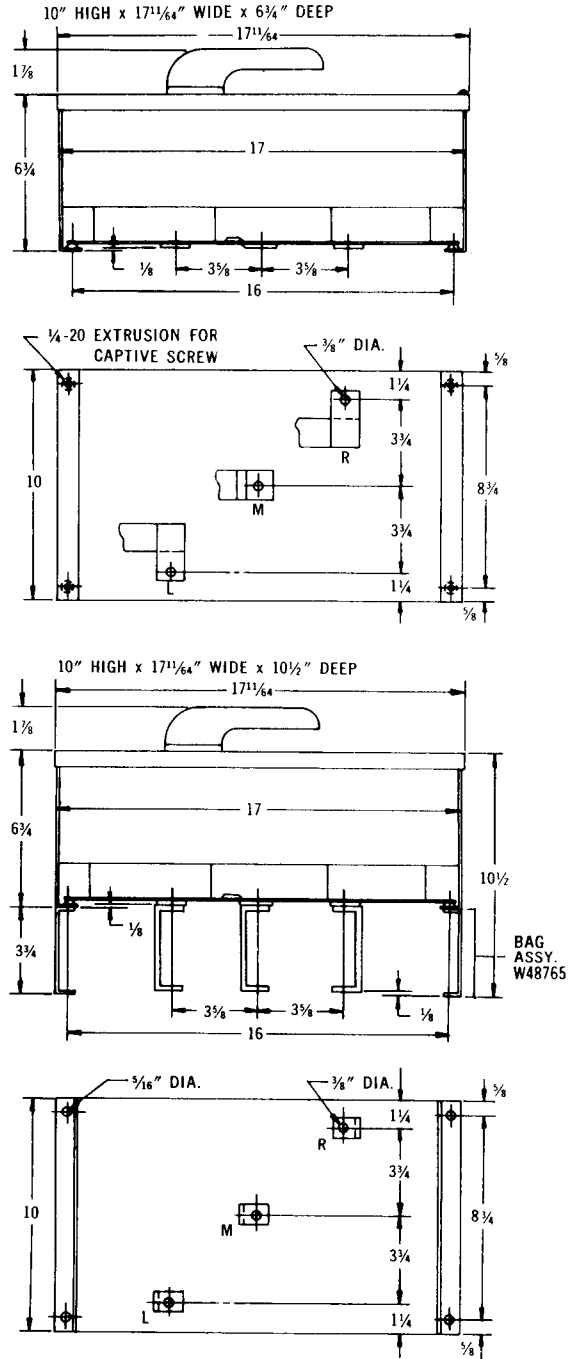
DESCRIPTION



53384A

This is a 200 Ampere, 3 Pole, 250 Volt Horsepower Rated Vacu-Break® Unit. Some features of this 10" High Unit are: Voidable Cover Interlock with foolproof mechanism, Removable Line and Load Bases, Removable Wire Grips suitable for Copper or Aluminum and Removable Fuse Grips. Mounting and connection screws are bullet-nosed for easy assembly (mounting screws are captive). Additional features provide: NEMA Phasing, plastic covered circuit identification card, Padlock Member to lock Handle in "ON" or "OFF" position. These units can be modified to accept "J" Fuses.

DIMENSIONAL DATA



ACCESSORIES	
Catalog Number	Description
W48765	Bag Assembly to Extend depth to 10 1/2" includes: 3 Connection Straps 3 Connection Screws 5/16-18 2 Mounting Leg Extensions 4 Mounting Screws 1/4-20
W49819	"J" Fuse Modification Kit

GENERAL INFORMATION								
Catalog No.	Horsepower Rating			Ampere Rating	Number of Poles	Number and Range of Lugs Per Leg	Position of Unit Connectors	Unit Wgt. Lbs.
	Std.	Max.	250V DC					
V7F3204	25	60	-	200	3	1-#6 to 250 MCM	LMR	21

SEE SECTION 1.6.2 FOR PRICES

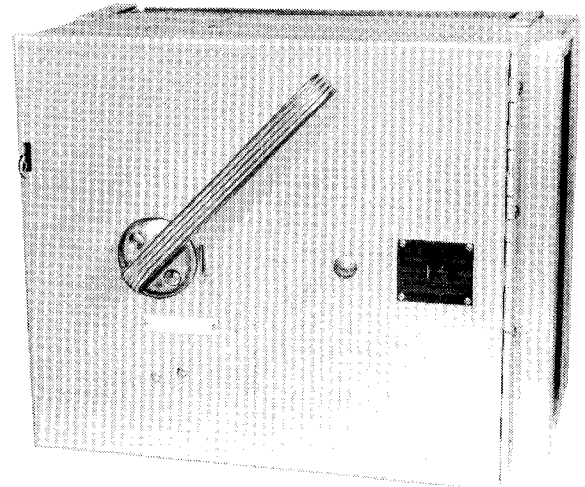
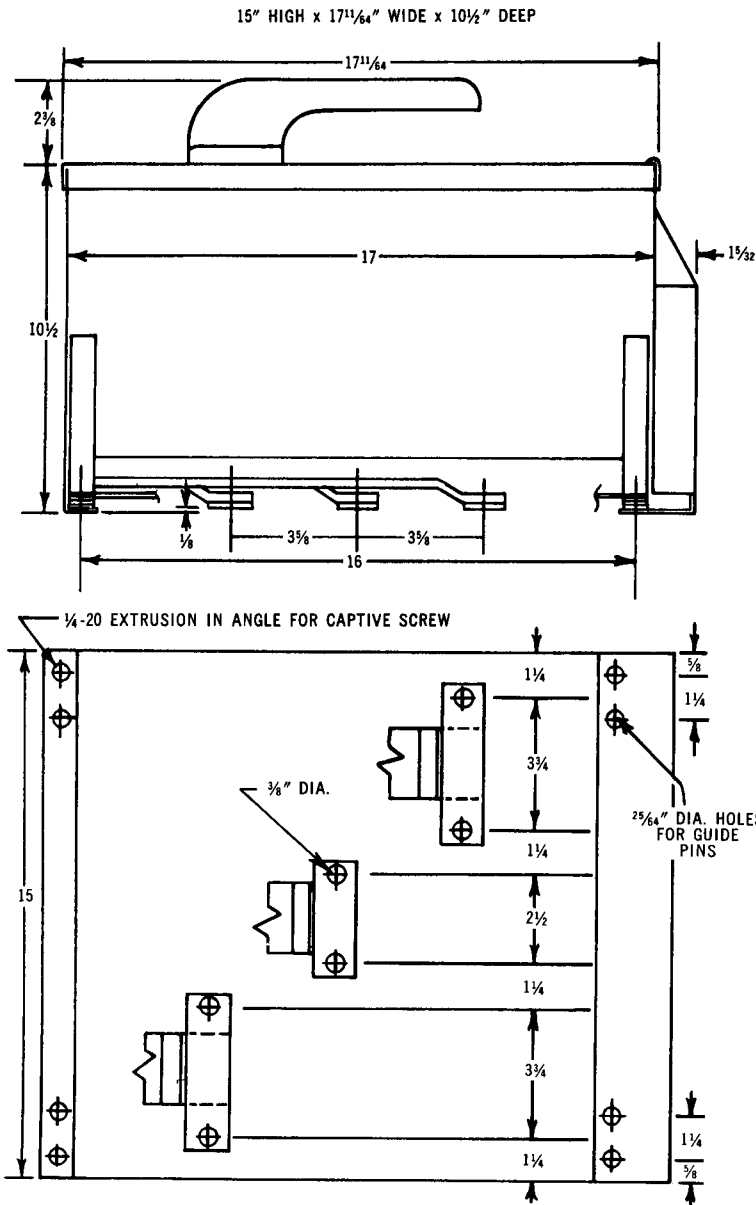


400 AMPERE-2 AND 3 POLE SINGLE BRANCH UNIT

250 VOLTS
17" WIDE

DIMENSIONAL DATA

DESCRIPTION



53380A

This Vacu-Break® Panelboard Unit is rated 400 Amperes, 2 and 3 Pole, 250 Volt ac or dc. Outstanding features include: Voidable Interlock, Padlocking Member, Removable Line and Load Bases, Removable Wire Grips suitable for Aluminum or Copper, Removable Fuse Clips, captive Mounting Screws with bullet-nose for positive seating, Alignment pins for precise Unit line-up with Z Rail mounting holes, NEMA Phasing, Bullet-Nosed Connection Screws, with riveted and soldered Connection Strap for simplified Unit installation. Kit to modify Unit for "J" Fuses are available.

ACCESSORIES	
Catalog Number	Description
W49814	Modification for "J" Fuses

GENERAL INFORMATION								
Catalog No.	Horsepower Rating			Ampere Rating	Number of Poles	Number and Range of Lugs Per Pole	Position of Unit Connectors	Unit Wgt. Lbs.
	Std.	Max.	250V DC					
V7H2205	-	-	50	400	2	2-#4/0 to 500 MCM	LR-LM-MR	63
V7H3205	50	100	-	400	3	2-#4/0 to 500 MCM	LMR	63

SEE SECTION 1.6.2 FOR PRICES

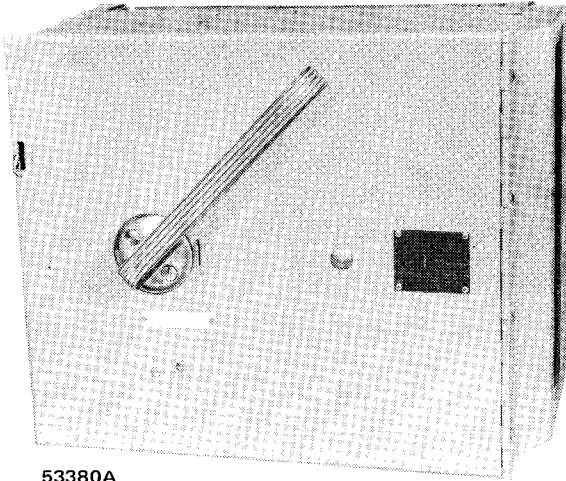


**250 VOLTS
17" WIDE**

600 AMPERE-2 AND 3 POLE SINGLE BRANCH UNIT

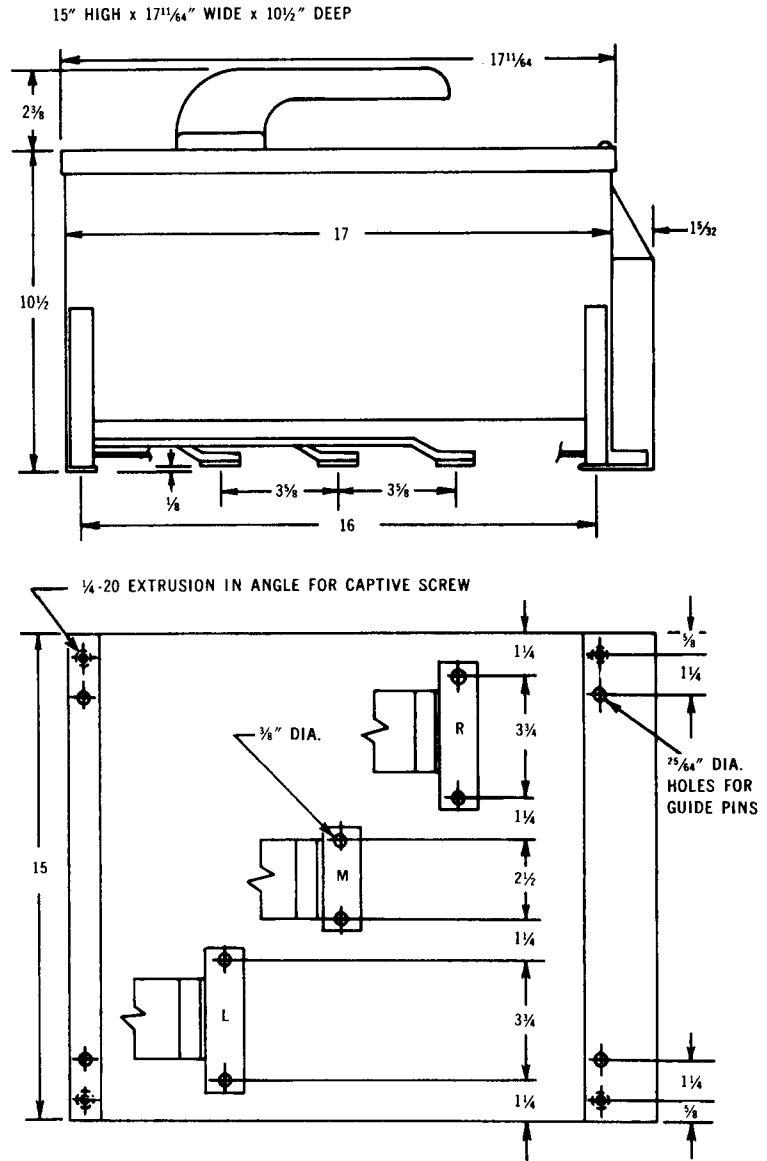
DESCRIPTION

DIMENSIONAL DATA



53380A

This Vacu-Break® Panelboard Unit is rated 600 Amperes, 2 and 3 Pole, 250 Volt ac or dc. Outstanding features include: Voidable Interlock, Padlocking Member, Removable Line and Load Bases, Removable Wire Grips suitable for Aluminum or Copper, Removable Fuse Clips, captive Mounting Screws with bullet-nose for positive seating, Alignment pins for precise Unit line-up with Z Rail mounting holes, NEMA Phasing, Bullet-Nosed Connection Screws, with riveted and soldered Connection Strap for simplified Unit installation. Kit to modify Unit for "J" Fuses are available.



ACCESSORIES	
Catalog Number	Description
W49813	Modification Kit for "J" Fuses

GENERAL INFORMATION

Catalog No.	Horsepower Rating			Ampere Rating	Number of Poles	Number and Range of Lugs Per Pole	Position of Unit Connectors	Unit Wgt. Lbs.
	Std.	Max.	250V DC					
V7H2206	—	—	—	600	2	2-#4/0 to 500 MCM	LR-LM-MR	63
V7H3206	75	100	—	600	3	2-#4/0 to 500 MCM	LMR	63

SEE SECTION 1.6.2 FOR PRICES