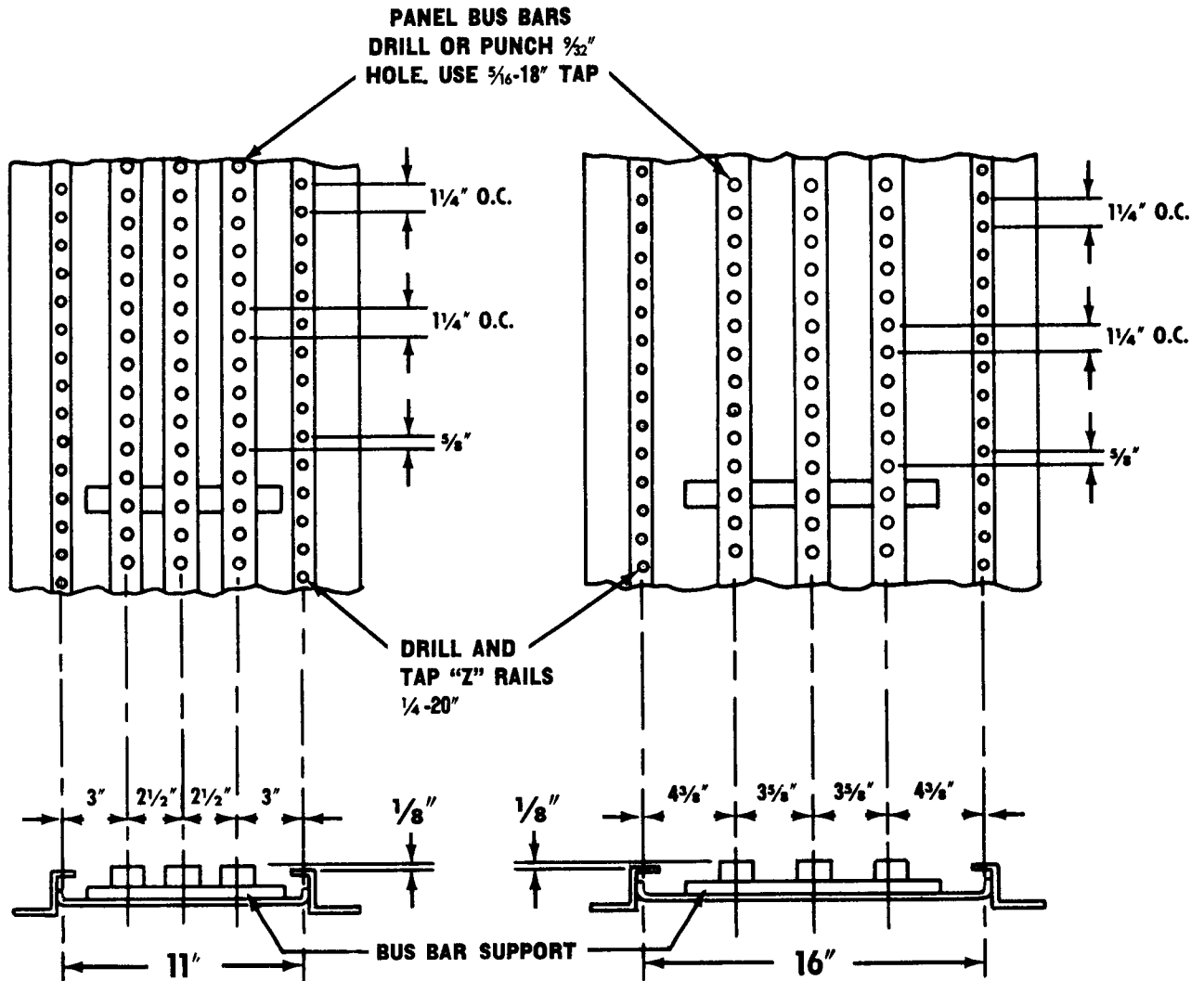




CRITICAL PANEL DIMENSIONS FOR VACU-BREAK® UNITS



FOR 12" UNITS

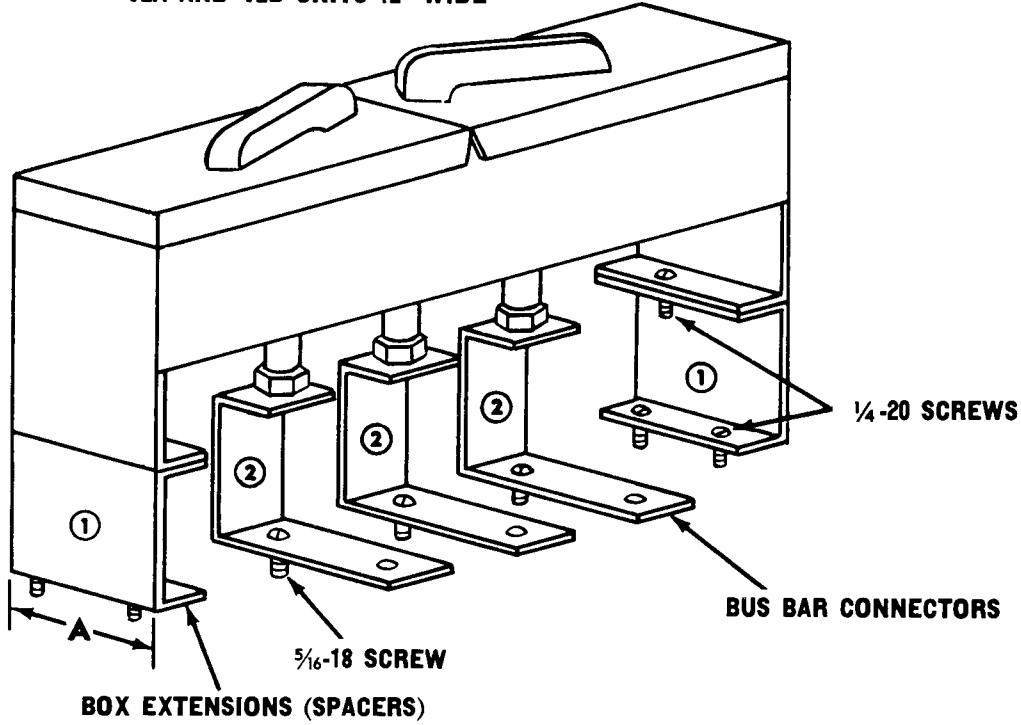
FOR 17" UNITS

THE DIMENSIONS LISTED ARE CRITICAL DIMENSIONS WHICH MUST BE HELD TO ASSURE PROPER FIT OF THE VACU-BREAK UNITS IN PANELS.



INSTALLATION INSTRUCTIONS FOR
CONNECTORS AND SPACERS—BAG ASSEMBLIES

V2A AND V2B UNITS 12" WIDE



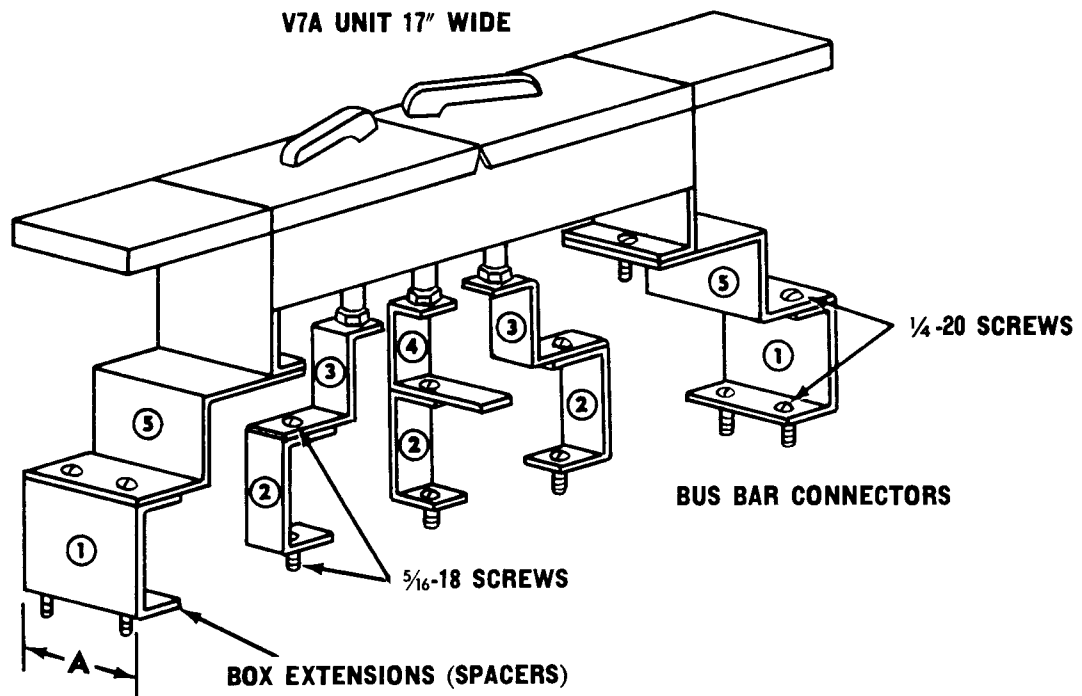
- A. FASTEN SPACERS ITEM ① TO MOUNTING RAILS OF PANEL
- B. FASTEN BUS BARS ITEM ② TO PANEL BUSSES
- C. FASTEN SWITCH TO SPACERS ITEM ① AND CONNECT SWITCH STUDS TO ITEM ②

Dimension "A"	Type of Unit	Typical Unit Normal Depth	Typical Unit Extended Depth	Connector & Spacer Bag Assembly*
2-1/2"	V2A	4-9/16"	6-3/4"	W43000
5"	V2B	4-9/16"	6-3/4"	W43002

*BAG ASSEMBLIES INCLUDE ITEMS MARKED ① AND ② PLUS SCREWS



INSTALLATION INSTRUCTIONS FOR
CONNECTORS AND SPACERS—BAG ASSEMBLIES



- A. FASTEN SPACERS ITEM ① TO MOUNTING RAILS OF PANEL
- B. FASTEN BUS BARS ITEM ② TO PANEL BUSES
- C. FASTEN BUS BARS ITEMS ③ AND ④ TO ITEMS ②
- D. FASTEN SWITCH WITH SPACERS ITEM ⑤ TO ITEMS ① AND CONNECT SWITCH STUDS TO ITEMS ③ AND ④

Dimension "A"	Type of Unit	Typical Unit Normal Depth	Typical Unit Extended Depth	Connector & Spacer Bag Assembly*
2-1/2"	V7A	6-3/4"	10-1/2"	W48762

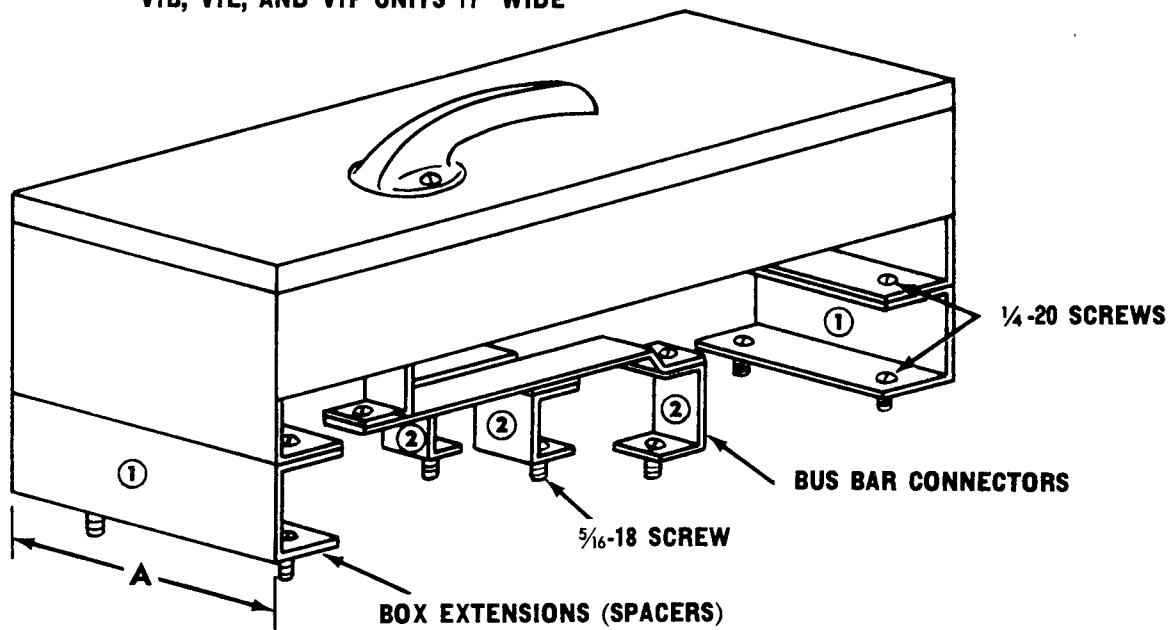
*BAG ASSEMBLY INCLUDES ITEM MARKED ① AND ② PLUS SCREWS

ITEMS 3, 4, AND 5 ARE FURNISHED AS A PART OF UNIT CATALOG NUMBER



INSTALLATION INSTRUCTIONS FOR
CONNECTORS AND SPACERS—BAG ASSEMBLIES

V7B, V7E, AND V7F UNITS 17" WIDE



- A. FASTEN SPACERS ITEM ① TO MOUNTING RAILS OF PANEL
- B. FASTEN BUS BARS ITEM ② TO PANEL BUSES
- C. FASTEN SWITCH TO SPACERS ITEMS ① AND CONNECT SWITCH BUS BARS TO ITEMS ②

Dimension "A"	Type of Unit	Typical Unit Normal Depth	Typical Unit Extended Depth	Connector & Spacer Bag Assembly*
5"	V7B	6-3/4"	10-1/2"	W48763
7-1/2"	V7E	6-3/4"	10-1/2"	W48764
10"	V7F	6-3/4"	10-1/2"	W48765

*BAG ASSEMBLIES INCLUDE ITEMS MARKER ① AND ② PLUS SCREWS