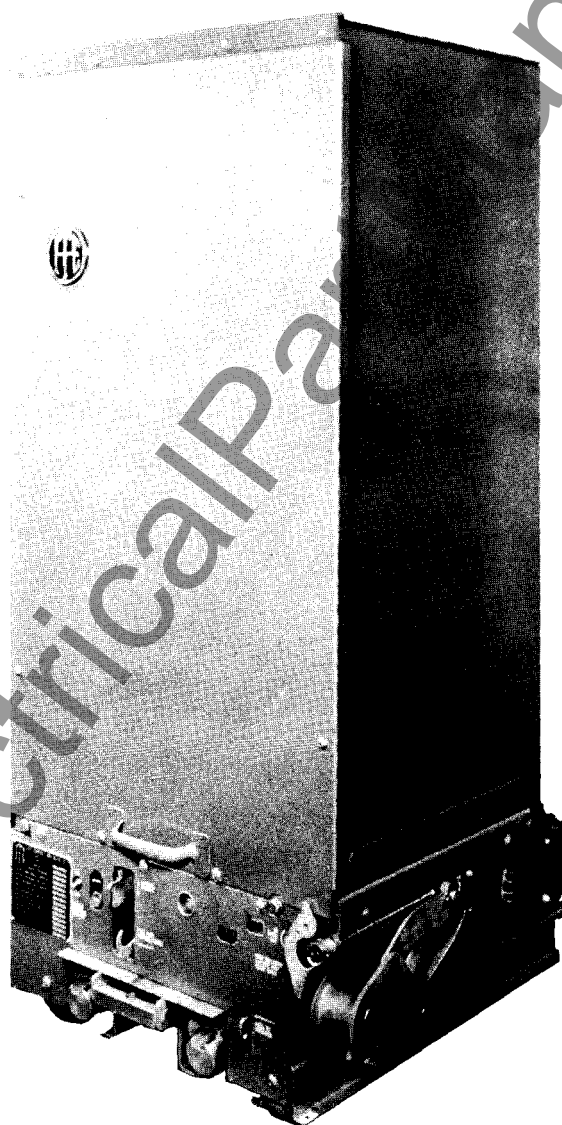


RP-2808-53

METAL-CLAD SWITCHGEAR

**RENEWAL PARTS**

5 KV POWER CIRCUIT BREAKERS  
TYPE 5HK150, 1200 AMPERES



**I-T-E CIRCUIT BREAKER COMPANY**

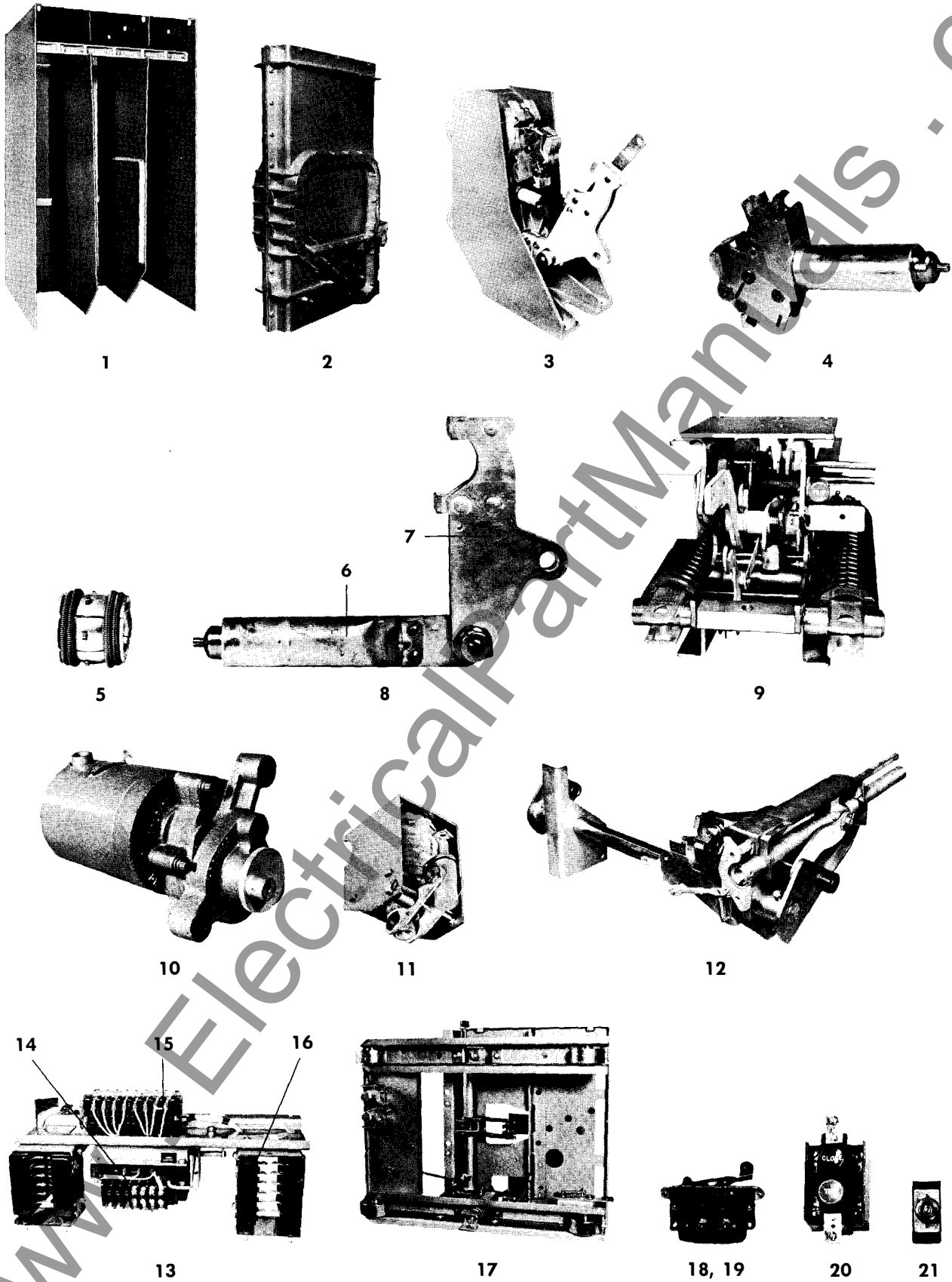


Fig. 1 — Basic Assemblies for 5HK150 Circuit Breakers



**RENEWAL PARTS FOR  
5 KV POWER CIRCUIT BREAKERS  
TYPE 5HK150, 1200 AMPERES**

FIG. 1 REF. INDEX	UNIT QUANTITY PER 3 POLE BREAKER	DESCRIPTION OF ASSEMBLY OR PART (Components Indented)	ASSEMBLY ORDERING NUMBER ⊙	RECOMMENDED SPARES FOR NUMBER OF BREAKERS INSTALLED				∅
				1-5	6-10	11-15	16-25	
1	1	Barrier Complete	191918-T1	0	1	2	3	△
2	3	Arc Chute Complete	191917-T11	1	2	3	5	
3	3	Lead Assembly Structure	191913-T3	1	2	3	5	
4	3	Upper Terminal	191914-T1	1	2	3	5	
5	6	Main Separable Finger Assembly (For Upper & Lower Terminal)	191916-T1	2	4	6	10	191913
6	3	Lower Terminal	192206-K2	1	2	3	5	
7	3	Bridge	191694-K1	1	2	3	5	
8	3	Lower Terminal & Bridge Assembly	191915-T1	1	2	3	5	
9	1	Operating Mechanism	191911-T1	0	1	1	2	191911
10	1	Motor & Gear Head Assembly (Give Voltage Rating & Name Plate Data)	191552-	1	1	1	2	△
11	1	Trip (Or Close) Device Assembly (Give Voltage Rating)	191920-	1	1	1	2	
12	1	Racking Mechanism	191912-T1	0	0	0	1	191912
13	1	Control Panel Assembly (Give Voltage Rating)	191919-	0	0	0	1	
14	1	Control Device (Give Voltage Rating)	191921-	1	1	1	1	
15	1	Auxiliary Switch (8 Contact)	700038-K1	0	0	1	2	△
16	4	Movable Control Contacts (6)	703153-K5	2	2	4	8	
*16B	1	Stationary Control Contacts	834838-T1	1	1	2	4	
17	1	Truck Assembly	191910-T2	0	0	0	1	191910
18	1	Latch Check Switch	191545-A	1	1	1	2	
19	1	Prop Check Switch	191545-A	1	1	1	2	△
20	1	Local Close-Trip Switch	181195-A	1	1	1	2	
21	1	Charging Power Switch	703270-A	1	1	1	2	

## ORDERING INSTRUCTIONS

- ⊙ Specify service numbers from labels (locations indicated in Fig. 2, on back cover) for breaker basic assemblies, Customer's original purchase order and I-T-E shop order.
- ∅ For ordering numbers of component parts included in basic assemblies, request service parts list indicated.
- △ Component parts not available, only sold as basic assemblies.
- \* Not shown.

Complete basic assemblies are recommended for convenience in time of emergency replacements.

This bulletin does not list standard hardware, screws, nuts and lockwashers, etc.  
We recommend that this hardware be purchased locally.

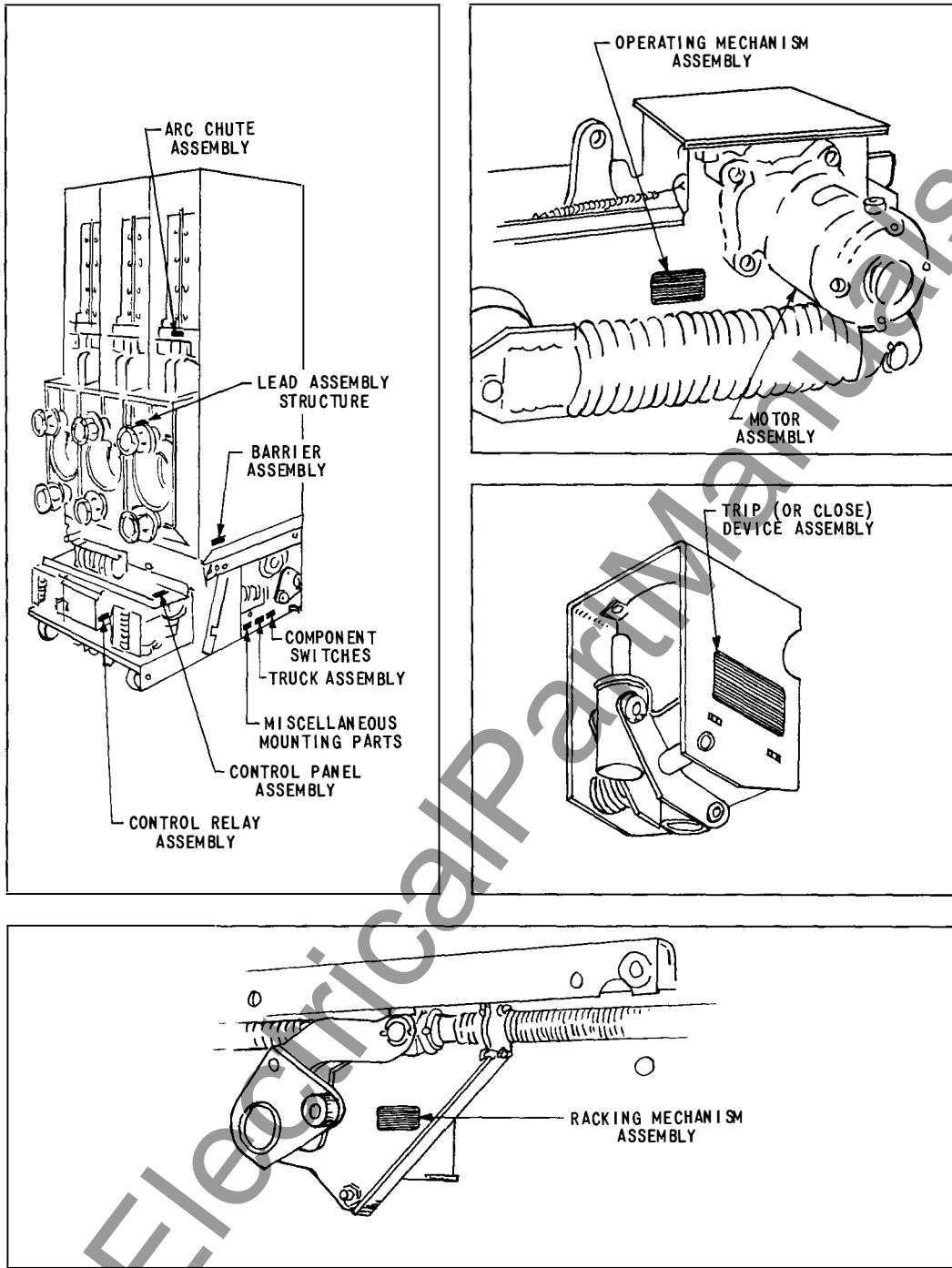


Fig. 2 — Service Number Label Locations for 5HK150 Circuit Breakers



# I-T-E CIRCUIT BREAKER COMPANY

SWITCHGEAR DIVISION  
1900 HAMILTON STREET, PHILADELPHIA, PENNSYLVANIA