

# MERLIN GERIN

## enclosed case circuit breaker

The CJ type covers continuous current ratings from 200 to 600A with the following standard features.

- moisture and fungus protection
- true positive break indication
- reinforced insulation
- integral partitioning (insulated accessory compartment)
- snap-in field installable accessories
- rating plugs on solid state trip units
- internal accessories designed with built-in control terminals
- push to trip
- reduced depth (4 1/2")
- ease of installation
- reverse feeding
- maintenance-free operation

## compliance with international standards

In addition to UL489 the Compact line circuit breakers has been designed to comply also with the international standard IEC 157-1 as well as with the major standards :

- british BS 4752,
- german VDE 660,
- french NF C63-120,
- australian AS 1930.

Compact line circuit breakers have been approved for marine application by American Bureau of Shipping, Bureau Veritas, Lloyd's Register of Shipping, Registro Italiano Navale, Germanische Lloyd's and Det Norske Veritas.

## ratings

Compact are equipped with thermal-magnetic or solid state trip units.

### ■ thermal-magnetic :

CJ400 rating : 250-300-350-400A  
CJ600 rating : 350-400-450-500-600A  
CJ400HC rating : 400A  
CJ600HC rating : 600A

### ■ solid state :

CJ400 plug : 200-225-250-300-350-400A  
CJ600 plug : 300-350-400-500-600A

## interrupting ratings

CJ type 3-pole	UL listed interrupting ratings		
	RMS Sym. Amps		
	240V	480V	600V

### standard breakers

CJ 400N	65,000	35,000	14,000
CJ 600N	65,000	35,000	14,000

### high interrupting breakers

CJ 400H	100,000	42,000	18,000
CJ 600H	100,000	42,000	18,000

### current limiting breakers

CJ 400L	150,000	150,000	65,000
---------	---------	---------	--------

### motor circuit protectors

CJ 400HC	100,000	42,000	18,000
CJ 600HC	100,000	42,000	18,000

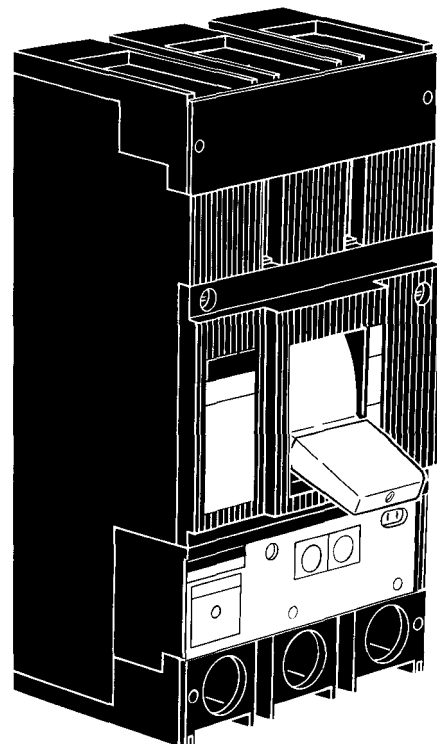
## mounting

- fixed
- plug-in on insulated plug-in base
- drawout on fixed cradle (not UL)

## terminals

- standards pads for bars or cable lugs
- optional pressure type terminals for bare cables
- optional rear connections for bars or cable lugs

## compact CJ CJ 400 CJ 600



mastering electrical power



MERLIN GERIN

## trip units

### thermal-magnetic

trip unit type	standard	for MCP's
thermal	= ampere rating	NA
magnetic	5 to 10 x ampere rating	5 to 10 x ampere rating
<b>solid state</b>		
trip unit type	ST 114D	ST 214S
function	standard	selective
rating plugs	CJ400 : 200-225-250-300-350-400A CJ600 : 300-350-400-500-600A	
long time setting	= plug rating	0.8 to 1 x plug rating
short time pickup		2.5 to 10 x current setting
instantaneous	2.5 to 10 x current setting	CJ400 : 4800A CJ600 : 6600A

### accessories

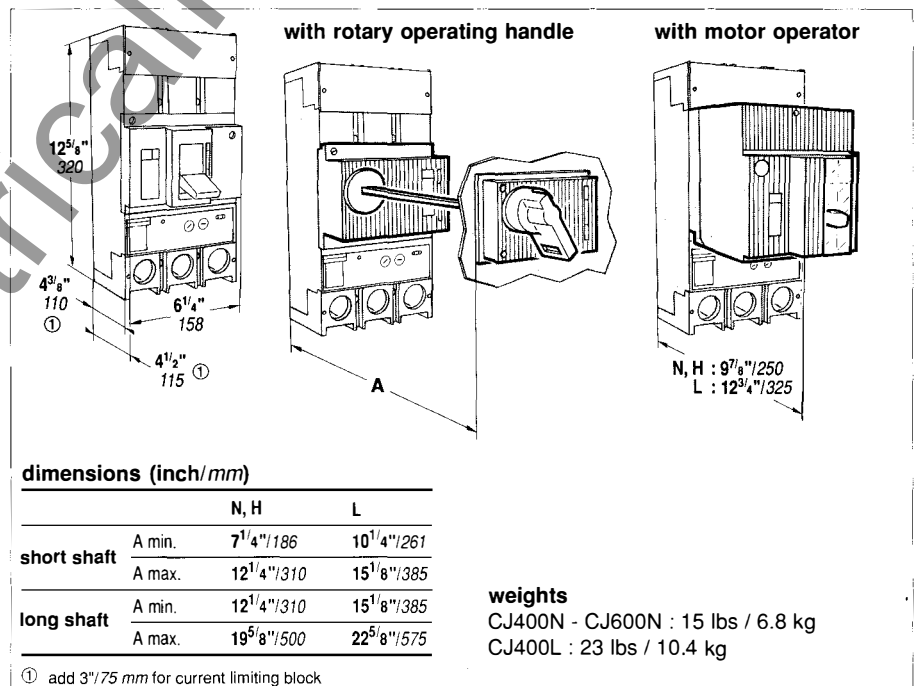
- 1 SPDT auxiliary switch plus 1 SPDT alarm switch or
- 2 SPDT auxiliary switches or
- 3 SPDT auxiliary switches plus 1 SPDT alarm switch
- shunt trip or
- undervoltage release (voltages available : 120, 240, 480, 600V AC 60 Hz, 12, 24, 48, 125V DC).
- 1 overcurrent trip switch (operates when breaker trips through trip unit operation only)
- motor operator (voltages available : 120, 240V AC, 24, 48, 125V DC)

- padlocking device
- mechanical interlock between 2 breakers
- rotary operating handle (direct or door mounted)
- boot for handle
- label holder
- door escutcheon

### test kit

Functional testing of the solid state trip unit can be achieved using a mini test kit battery operated or a portable test kit (120V AC).

### dimensions



### weights

CJ400N - CJ600N : 15 lbs / 6.8 kg  
CJ400L : 23 lbs / 10.4 kg

"As standard specifications and designs change from time to time, please ask for confirmation of the information given in the publication".

MERLIN GERIN INC.  
5000 Highlands Pkwy.  
Suite 150  
SMYRNA, GA 30082  
tel. (404) 432.2744  
fax (404) 432.9179

**GRUPE SCHNEIDER**   
VK20