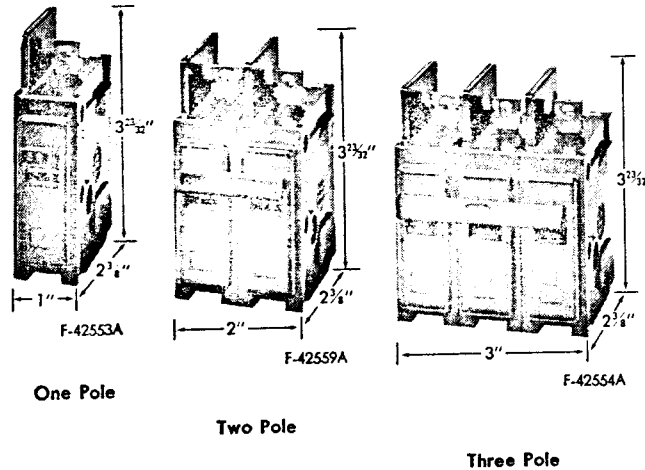


EQ®-B BOLTED CIRCUIT BREAKERS
15-100 AMPERES
40C CALIBRATION



EQ-B Bolted
 1, 2 Pole 120/240 Volts A-C • 2, 3 Pole 240 Volts A-C
 15-100 Amperes

APPLICATIONS

EQ normal-duty thermal-magnetic circuit breakers are designed for use in residential, commercial and industrial load centers, panelboards, electrical machinery, distribution switchboards, secondary unit substations and individual enclosures where available fault currents are of limited magnitude.

RATINGS

These breakers have ratings of 15 through 100 amperes, 120/240 and 240 volts A-C, with 5000 and 10,000 amperes interrupting capacity.

FEATURES

Normal-duty breakers combine instantaneous-magnetic short circuit protection with thermal time-delay overload protection. They have a quick-make, quick-break, trip-free mechanism design, coupled with common trip operation to assure all poles of the breaker opening simultaneously and automatically in the event of a fault or overload on any pole. These breakers cannot be held closed under abnormal conditions. A three-position handle visually indicates if the breaker is "on," "off", or has "tripped" on automatic operation.

Normal-duty breakers are factory calibrated for 40C (104F) operation and sealed to prevent tampering.

INTERRUPTING RATINGS
 (Based on NEMA Test Procedures)

Breaker Frame	Voltage AC		Amperes	
			Asymmetrical	Symmetrical
EQ-B	1, 2 Poles	120/240	5,000	5,000
	2, 3 Poles	240	10,000	10,000

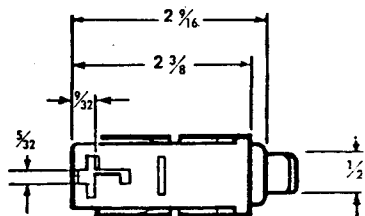
SPECIFICATIONS

Breaker Frame	Underwriters' Laboratories, Inc.	Federal Specification W-C-375
EQ-B	Listed	Class 1A and 1B

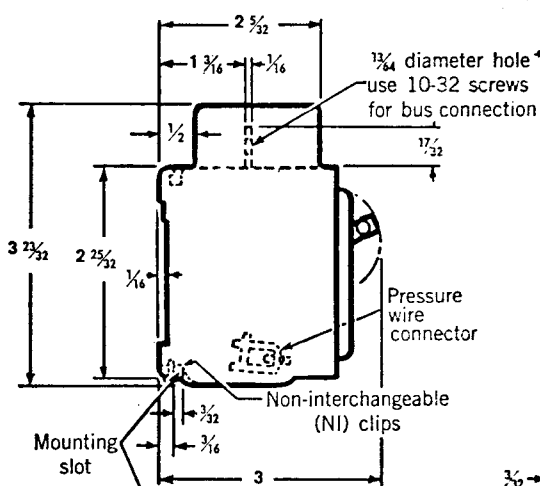
EQ[®]-B BOLTED CIRCUIT BREAKERS

DIMENSIONS

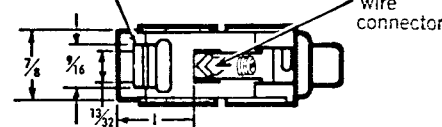
G-43233AA



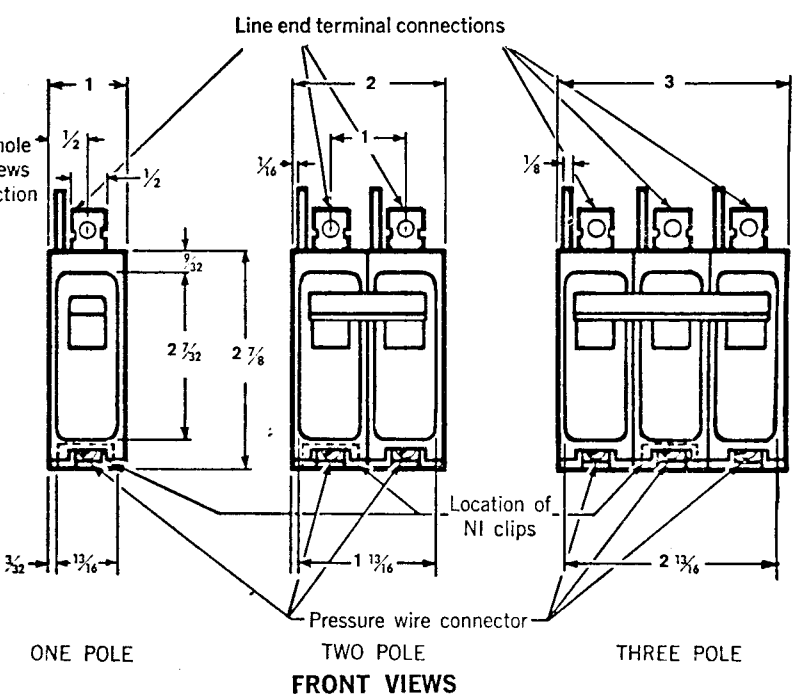
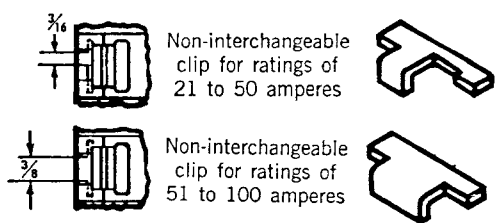
END VIEW (LINE)



SIDE VIEW



END VIEW (LOAD)



• Each auxiliary switch or shunt trip added to any of these breakers increases the width one inch. Each such modification is housed in a module of the same outline dimensions shown in the one-pole view above.