

Westinghouse



Type DBL Current Limiters DBL-25, DBL-50, DBL-75 and DBL-100

3-Pole Ac, 200,000 Amps Symmetrical
Interrupting Rating

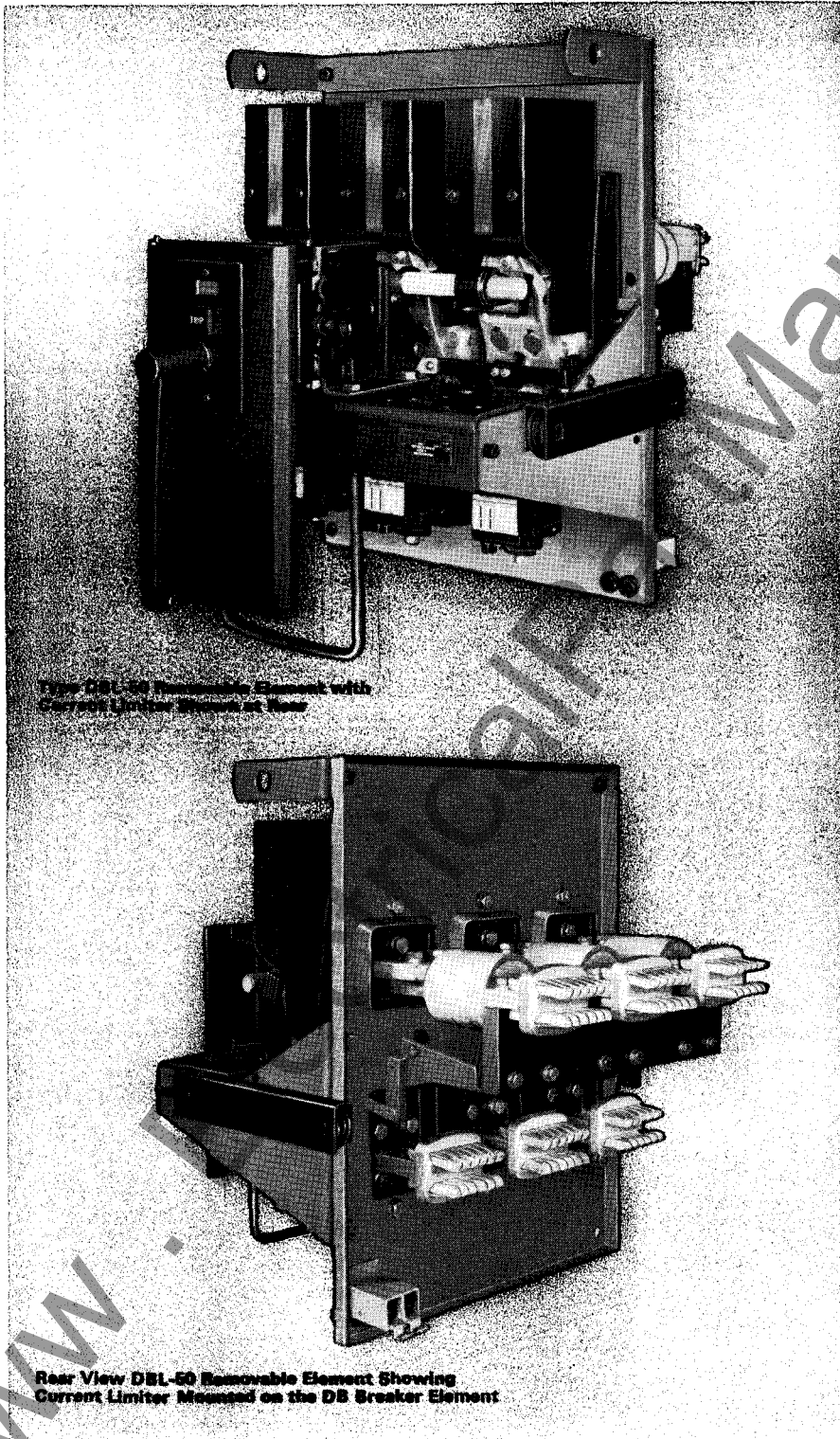
Application

Type DBL current limiters may be used in series with standard type DB magnetic air circuit breakers where available short circuit currents exceed the interrupting ratings of the breakers. (Up to 200,000 symmetrical amperes maximum.)

The type DB circuit breaker will handle any normal overload currents on a time delay basis and will trip instantaneously at 500% to 1000% of coil rating. For faults above 1500% of the coil rating, the limiter becomes a faster interrupter than the DB breaker and will give protection to the breaker up to 200,000 amperes maximum. The limiters used with the DBL breakers include built-in trigger fuses which operate to trip the breaker open should any one limiter blow, thus preventing single phase operation. These trigger fuses indicate which phase has been opened and they also keep the circuit breaker trip free until the faulted fuse has been replaced.

The limiters form an integral part of the breaker and are inaccessible until the breaker is completely withdrawn from the compartment. The breaker cannot be withdrawn until it has been tripped open. This positive safety feature prevents any contact with the limiters unless the circuit breaker is open and breaker and limiters are completely isolated.

For steady state loads above 1600 amperes and when the short circuit capacity of the system exceeds the interrupting rating of the type DB-75 or DB-100 breakers, higher current rating limiters may be put in series with the standard DB-75 or DB-100 breakers. Standard drawout features may be obtained by mounting the limiters on a separate drawout truck located in a compartment which is placed above the DB-75 or DB-100 drawout breaker compartment.



Front View DBL-50 Removable Element with
Current Limiter Mounted on Rear

Rear View DBL-50 Removable Element Showing
Current Limiter Mounted on the DB Breaker Element

Prices effective December 21, 1970; subject to change without notice. For standard terms and conditions of sale, refer to Selling Policy 33-700.

January 25, 1971
Supersedes CS 33-924 dated May 28, 1970
E, D, C/1959/PL

Westinghouse



List Prices[Ⓢ]

Breaker Type	Cont. Current Amps	Complete Unit		Removable Element with Limiters		Future Cell	
		Manual	Electric	Manual	Electric	Manual	Electric
One-High Drawout							
DBL-25	40 to 600	\$1790	\$ 2205	\$1310	\$1715	\$480	\$ 490
DBL-50	200 to 1600	3595	4450	2880	3710	715	740
ⓈDBL-75	2000	9995	7555	...	2440
ⓈDBL-100	4000	15,240	11,130	...	4110
Substructure[Ⓢ]							
DBL-25	40 to 600	\$200	\$210				
DBL-50	200 to 1600	300	310				

Ⓢ A two-high compartment consisting of a DB-75 or DB-100 in lower cell with a separate fuse truck in upper cell.

Ⓢ Price additions for Static Trips from Price List 33-820.

Ⓢ When sold with DBL breaker element

Modifications and Attachments

For Use Only When Sold with Complete Units

Attachment

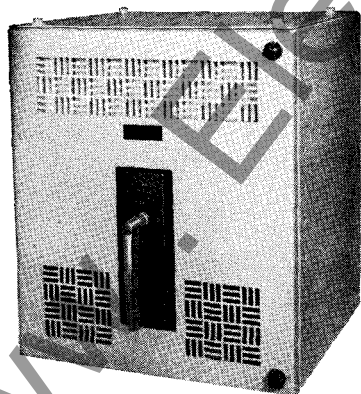
	List Price Additional			
	DBL-25	DBL-50	DBL-75	DBL-100
Shunt trip attachment, for manually operated breakers, necessary auxiliary switch included	\$115	\$115	Incl.	Incl.
Undervoltage trip, self-resetting	instantaneous.....	115	\$115	\$115
	delayed.....	180	180	180
Auxiliary switch – for 4 circuits add.....	85	85	Incl.	Incl.
Alarm switch – manually reset.....	115	115	115	115
Formed front door.....	75	75	150	200
Electrical lockout.....	120	120	120	120
Key interlock.....	105	105	105	105

Single Unit, One-High Drawout DBL-25 and DBL-50 Breakers

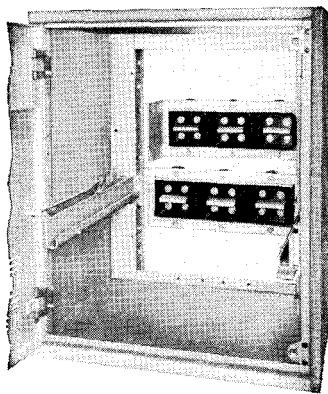
For Low-Voltage Metal-Enclosed Switchgear

Single unit, one-high drawout stack-up DBL units provide a factory-assembled standardized design for low-voltage metal enclosed switchgear. In this 3-position

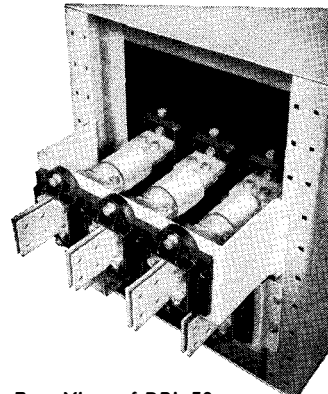
arrangement, the door of the breaker compartment can be closed with the breaker in any of its three recognized positions – “connected,” “test,” “disconnected.” The 3-position feature offers a new convenience and safety to operating and maintenance personnel and greater protection for the circuit breakers.



DBL Breaker in Compartment.



Low-voltage Housing View with DBL Breaker Removed.



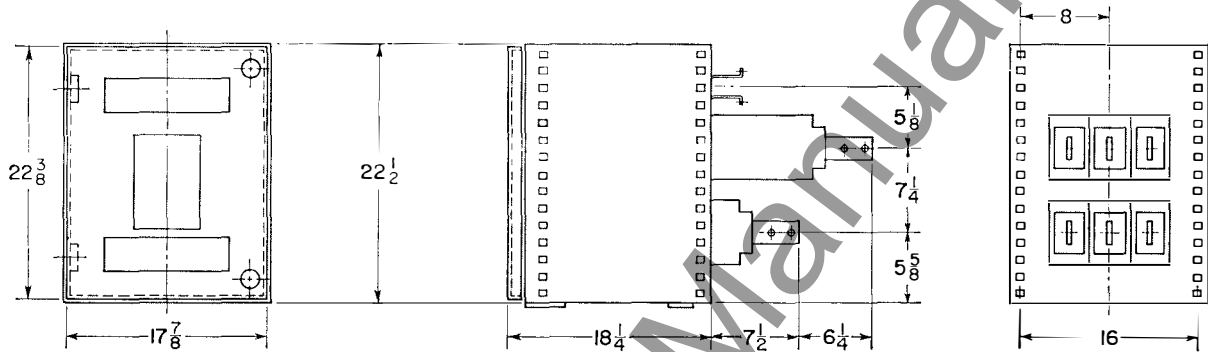
Rear View of DBL-50 Breaker Shows Current Limiter Mounted on Breaker.

**Type DBL Current Limiters
DBL-25, DBL-50, DBL-75
and DBL-100**

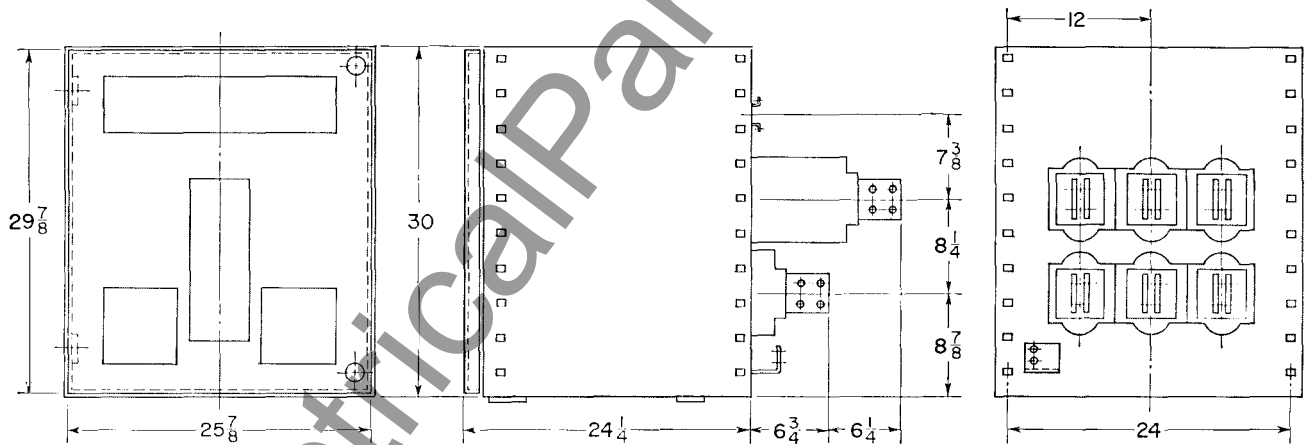
3-Pole Ac, 200,000 Amps Symmetrical
Interrupting Rating

Dimensions in Inches Approximate, not for Construction Purposes^①

Type DBL-25



Type DBL-50



^① For DB-75 and DB-100 refer to Dimension Section 33-870.

www.ElectricalPartManuals.com

**Type DBL Current Limiters
DBL-25, DBL-50, DBL-75
and DBL-100**

3-Pole Ac, 200,000 Amps Symmetrical
Interrupting Rating



type DBL current limiters

DBL-25, DBL-50, DBL-75 and DBL-100

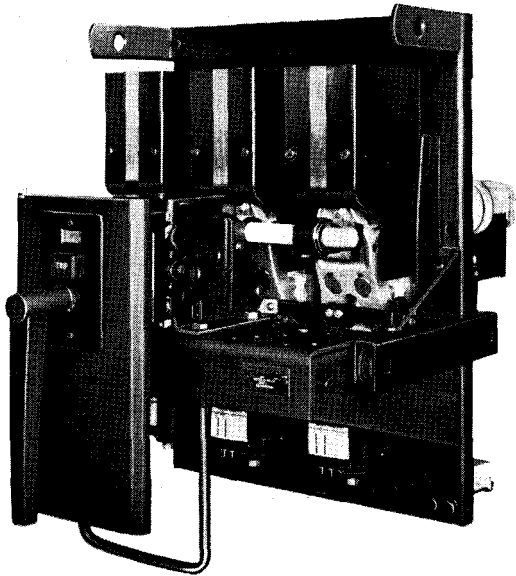
catalog
section

33-924

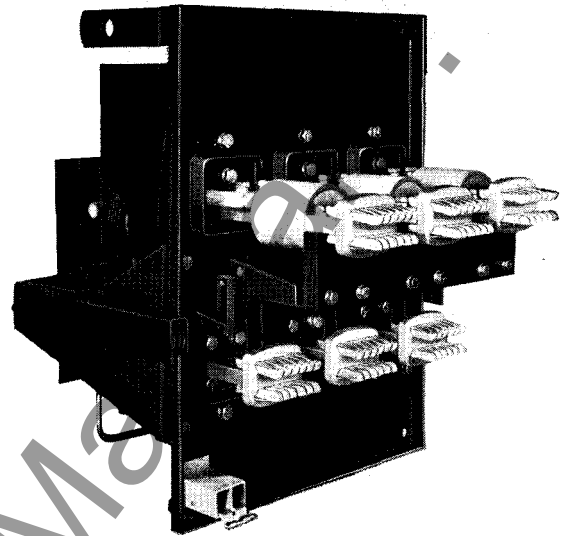
page 1

3-pole a-c • 200,000 amps symmetrical interrupting rating

type DBL-50 removable element with current limiter shown at rear



rear view DBL-50 removable element showing current limiter mounted on the DB breaker element



application

Type DBL current limiters may be used in series with standard type DB magnetic air circuit breakers where available short circuit currents exceed the interrupting ratings of the breakers. (Up to 200,000 symmetrical amperes maximum.)

The type DB circuit breaker will handle any normal overload currents on a time delay basis and will trip instantaneously at 500% to 1000% of coil rating. For faults above 1500% of the coil rating, the limiter becomes a faster interrupter than the DB breaker and will give protection to the breaker up to 200,000 amperes maximum. The limiters used with the DBL breakers include built-in trigger fuses which operate to trip the breaker open should any one limiter blow, thus preventing single phase operation. These trigger fuses indicate which phase has been opened and they also keep the circuit breaker trip free until the faulted fuse has been replaced.

The limiters form an integral part of the breaker and are inaccessible until the breaker is completely withdrawn from the compartment. The breaker cannot be withdrawn until it has been tripped open. This positive safety feature prevents any contact with the limiters unless the circuit breaker is open and breaker and limiters are completely isolated.

For steady state loads above 1600 amperes and when the short circuit capacity of the system exceeds the interrupting rating of the type DB-75 or DB-100 breakers, higher current rating limiters may be put in series with the standard DB-75 or DB-100 breakers. Standard drawout features may be obtained by mounting the limiters on a separate drawout truck located in a compartment which is placed above the DB-75 or DB-100 drawout breaker compartment.

list prices

breaker type	cont current amps	complete unit		removable element with limiters		future cell	
		manual	electric	manual	electric	manual	electric
one-high drawout							
DBL-25	40 to 600	\$1160	\$1440	\$ 870	\$1140	\$290	\$ 300
DBL-50	200 to 1600	2300	2865	1860	2415	440	450
▲DBL-75	2000	6530	5030	...	1500
▲DBL-100	4000	9820	7280	...	2540
substructure ◆							
DBL-25	40 to 600	\$125	\$140				
DBL-50	200 to 1600	190	205				

▲ A two-high compartment consisting of a DB-75 or DB-100 in lower cell with a separate fuse truck in upper cell.
 ● Refer to application data 33-761.
 ◆ When sold with DBL breaker element.

modifications and attachments

for use only when sold with complete units

attachment	list price additional			
	DBL-25	DBL-50	DBL-75	DBL-100
shunt trip attachment, for manually operated breakers, necessary auxiliary switch included.....	\$ 70	\$ 70	incl.	incl.
undervoltage trip, self-resetting {	instantaneous.....	70	75	75
	delayed.....	120	120	\$ 70 120
auxiliary switch—for 4 circuits add.....	50	50	incl.	incl.
alarm switch—manually reset. formed front door.....	75	75	75	75
electrical lockout.....	40	45	90	130
key interlock.....	75	90	120	120
	110	110	110	110

April 2, 1963
 supersedes catalog section 33-924 dated September 25, 1961
 mailed to: E/1140/PL; D/812/PL; C/336/PL

prices effective April 2, 1963; subject to change without notice
 for standard terms and conditions of sale, refer to selling policy 33-700

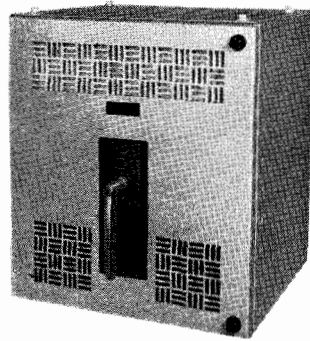


type DBL current limiters
DBL-25, DBL-50, DBL-75 and DBL-100

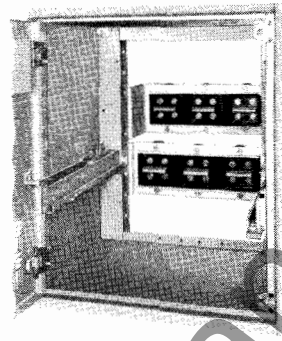
single unit, one-high drawout DBL-25 and DBL-50 breakers

for low-voltage metal-enclosed switchgear

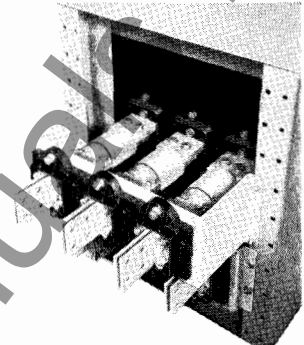
Single unit, one-high drawout stack-up DBL units provide a factory-assembled standardized design for low-voltage metal-enclosed switchgear. In this 3-position arrangement, the door of the breaker compartment can be closed with the breaker in any of its three recognized positions—"connected", "test", "disconnected". The 3-position feature offers a new convenience and safety to operating and maintenance personnel and greater protection for the circuit breakers.



DBL breaker in compartment.



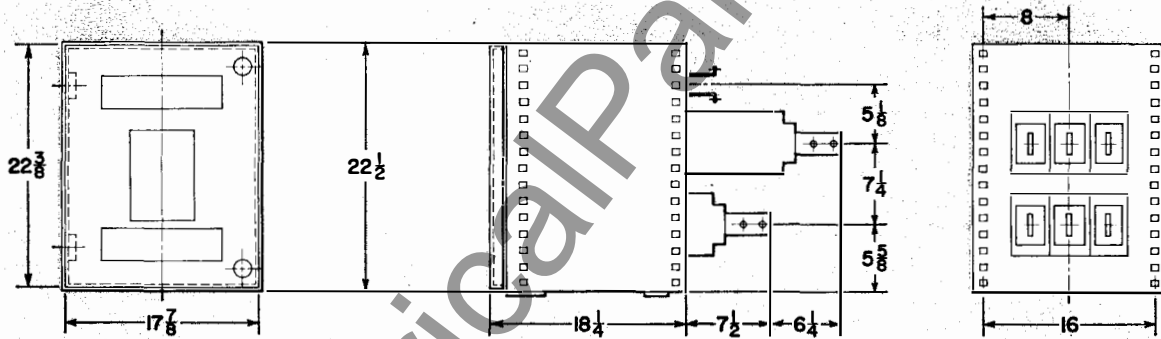
Low-voltage housing view with DBL breaker removed.



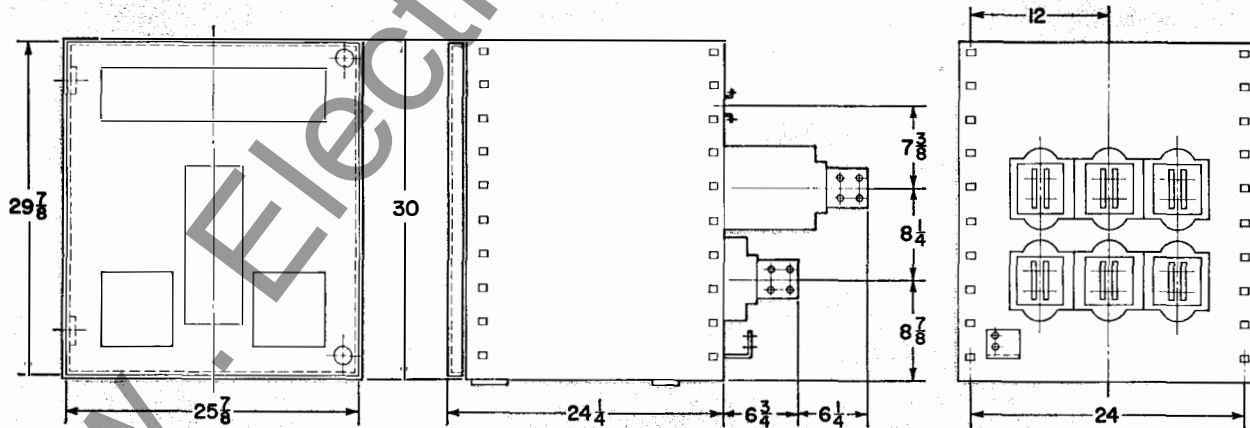
Rear view of DBL-50 breaker shows current limiter mounted on breaker.

dimensions in inches approximate • not for construction purposes ▲

type DBL-25



type DBL-50



▲ For DB-75 and DB-100 refer to dimension section 33-870.

Westinghouse



Type DBL Current Limiters DBL-25, DBL-50, DBL-75 and DBL-100

3-Pole Ac. 200,000 Amps Symmetrical
Interrupting Rating

Application

Type DBL current limiters may be used in series with standard type DB magnetic air circuit breakers where available short circuit currents exceed the interrupting ratings of the breakers. (Up to 200,000 symmetrical amperes maximum.)

The type DB circuit breaker will handle any normal overload currents on a time delay basis and will trip instantaneously at 500% to 1000% of coil rating. For faults above 1500% of the coil rating, the limiter becomes a faster interrupter than the DB breaker and will give protection to the breaker up to 200,000 amperes maximum. The limiters used with the DBL breakers include built-in trigger fuses which operate to trip the breaker open should any one limiter blow, thus preventing single phase operation. These trigger fuses indicate which phase has been opened and they also keep the circuit breaker trip free until the faulted fuse has been replaced.

The limiters form an integral part of the breaker and are inaccessible until the breaker is completely withdrawn from the compartment. The breaker cannot be withdrawn until it has been tripped open. This positive safety feature prevents any contact with the limiters unless the circuit breaker is open and breaker and limiters are completely isolated.

For steady state loads above 1600 amperes and when the short circuit capacity of the system exceeds the interrupting rating of the type DB-75 or DB-100 breakers, higher current rating limiters may be put in series with the standard DB-75 or DB-100 breakers. Standard drawout features may be obtained by mounting the limiters on a separate drawout truck located in a compartment which is placed above the DB-75 or DB-100 drawout breaker compartment.



Type DBL-50 Removable Element with
Current Limiter Shown at Rear

Rear View DBL-50 Removable Element Showing
Current Limiter Mounted on the DB Breaker Element

Prices effective December 21, 1970; subject to change without notice. For standard terms and conditions of sale, refer to Selling Policy 33-700.

January 25, 1971
Supersedes CS 33-924 dated May 28, 1970
E. D. C/1959/PL

Westinghouse



List Prices^①

Breaker Type	Cont. Current Amps	Complete Unit		Removable Element with Limiters		Future Cell	
		Manual	Electric	Manual	Electric	Manual	Electric
One-High Drawout							
DBL-25	40 to 600	\$1790	\$ 2205	\$1310	\$1715	\$480	\$ 490
DBL-50	200 to 1600	3695	4450	2880	3710	715	740
①DBL-75	2000	9995	7555	...	2440
①DBL-100	4000	15,240	11,130	...	4110
Substructure^②							
DBL-25	40 to 600	\$200	\$210				
DBL-50	200 to 1600	300	310				

① A two-high compartment consisting of a DB-75 or DB-100 in lower cell with a separate fuse truck in upper cell.

② Price additions for Static Trips from Price List 33-820.

③ When sold with DBL breaker element

Modifications and Attachments

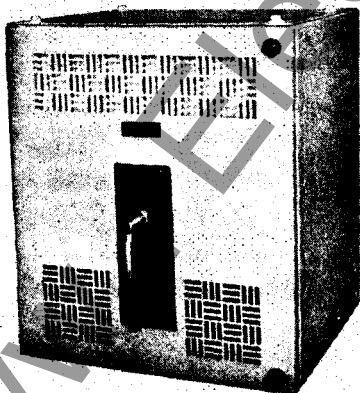
For Use Only When Sold with Complete Units

Attachment

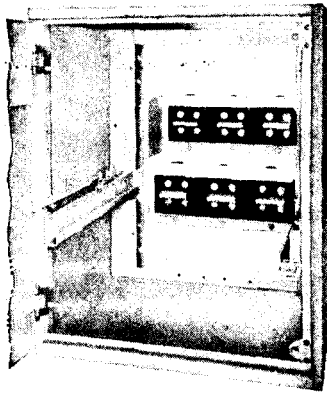
Attachment	List Price Additional			
	DBL-25	DBL-50	DBL-75	DBL-100
Shunt trip attachment, for manually operated breakers, necessary auxiliary switch included	\$115	\$115	Incl.	Incl.
Undervoltage trip, self-resetting	instantaneous.....	115	\$115	\$115
	delayed.....	180	180	180
Auxiliary switch - for 4 circuits add	85	85	Incl.	Incl.
Alarm switch - manually reset	115	115	115	115
Formed front door	75	75	150	200
Electrical lockout	120	120	120	120
Key interlock	105	105	105	105

Single Unit, One-High Drawout DBL-25 and DBL-50 Breakers
 For Low-Voltage Metal-Enclosed Switchgear
 Single unit, one-high drawout stack-up DBL units provide a factory-assembled standardized design for low-voltage metal-enclosed switchgear. In this 3-position

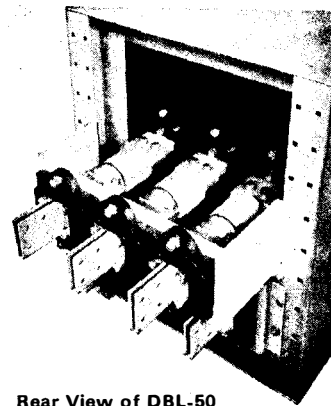
arrangement, the door of the breaker compartment can be closed with the breaker in any of its three recognized positions - "connected," "test," "disconnected." The 3-position feature offers a new convenience and safety to operating and maintenance personnel and greater protection for the circuit breakers.



DBL Breaker in Compartment.



Low-voltage Housing View with DBL Breaker Removed.

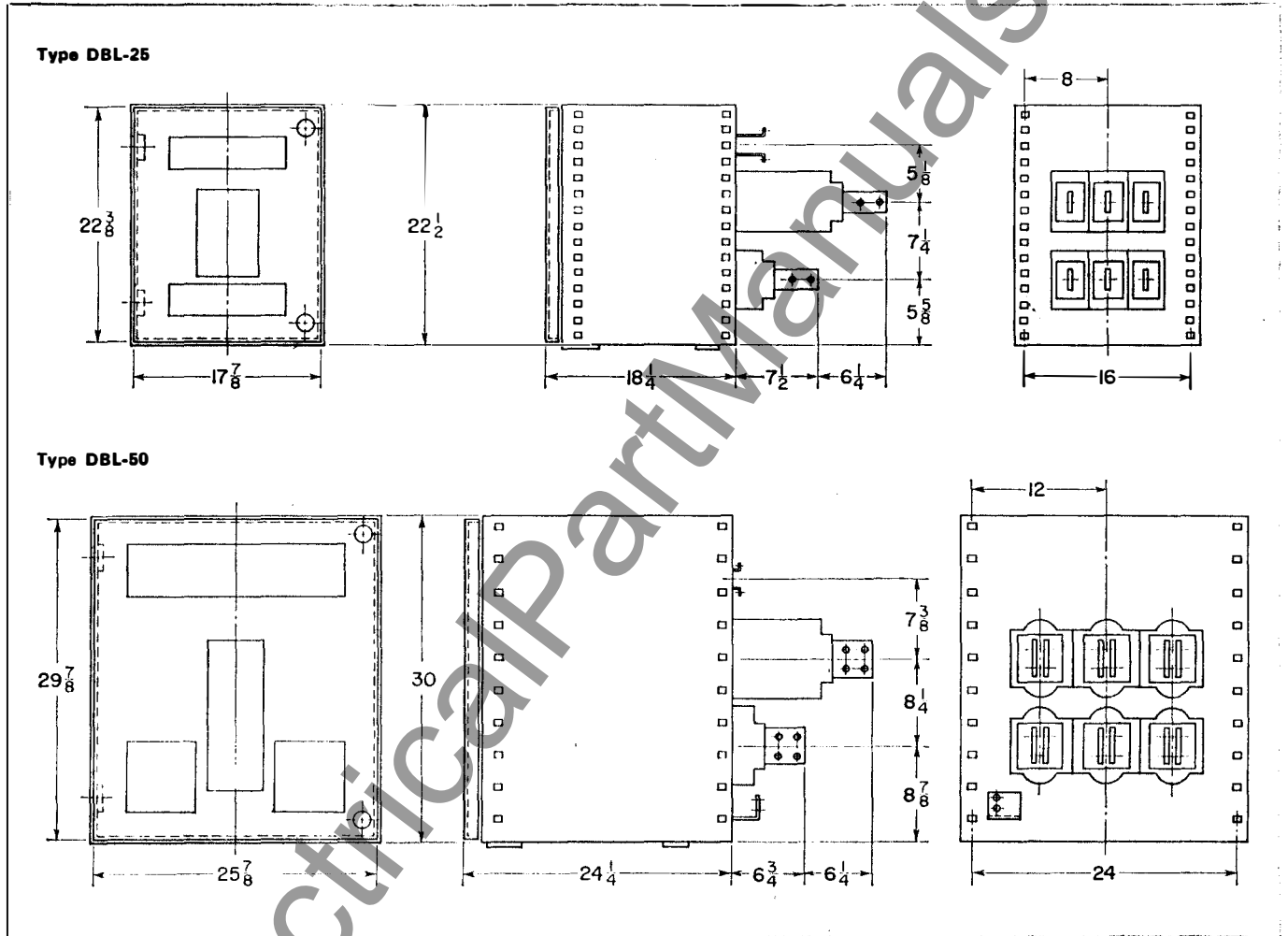


Rear View of DBL-50 Breaker Shows Current Limiter Mounted on Breaker.

Type DBL Current Limiters
DBL-25, DBL-50, DBL-75
and DBL-100

3-Pole Ac, 200,000 Amps Symmetrical
 Interrupting Rating

Dimensions in Inches Approximate, not for Construction Purposes[Ⓢ]



[Ⓢ] For DB-75 and DB-100 refer to Dimension Section 33-870.

www.ElectricalPartManuals.com

**Type DBL Current Limiters
DBL-25, DBL-50, DBL-75
and DBL-100**

3-Pole Ac, 200,000 Amps Symmetrical
Interrupting Rating

www.ElectricalPartManuals.com