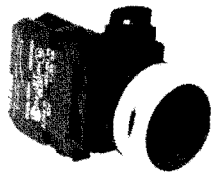


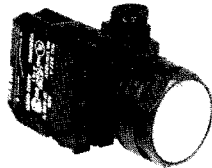


PB3/PB4 22.5 mm Miniature Oil-tite Pushbuttons

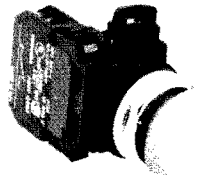


PB3

Flush
Pushbutton



PB4



PB3

Twist-to-Release
Mushroom Head
Pushbutton

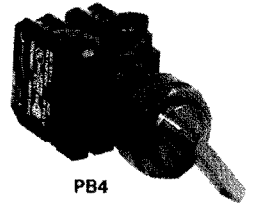


PB4

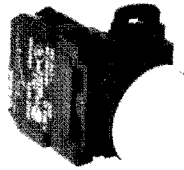


PB3

3-Position
Selector Switch

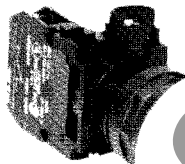


PB4

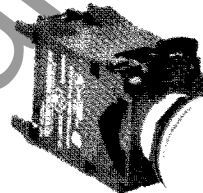


PB3

2 Position
Push-Pull

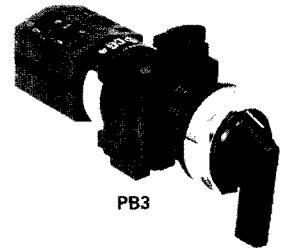


PB4



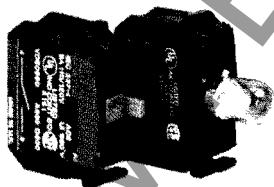
PB3

Indicating Light
with Transformer
Light Unit

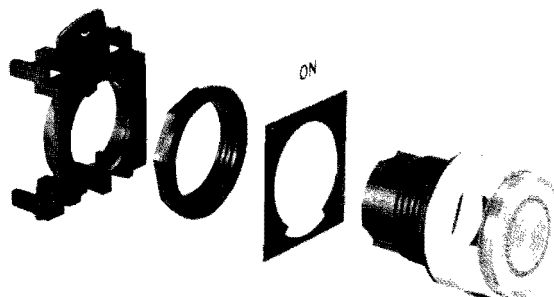


PB3

Multiple Pole Rotary
Cam Selector Switch



PB3 Components
Extended Illuminated
Pushbutton



In This Publication	Page
How to Order.....	2
Pushbutton Description	2, 3
Catalog Numbering System	4
Frequently Used Devices	5
Standard Pushbuttons	6, 7
Push-Pull Operators	8, 9
Maintained Pushbuttons, Key Lockable Pushbuttons.....	10
Indicating Lights	11
Selector Switches, 2 Position	12
Selector Switches, 3 Position	13
Selector Switches, Rotary Cam	14
Selector Switches, Components	15
Legend Plates	16, 17
Accessories	18, 19
Contact Blocks, Light Units	20

**PB3/PB4
22.5mm Pushbuttons
Oil-tite and Water-tite**

How to Order

This catalog section covers the PB3 and PB4 lines of 22.5mm oiltight pushbuttons.

PB3/PB4 uses the same catalog numbering system used for PB1/PB2 30.5mm pushbuttons.

Like PB1/PB2, PB3 and PB4 devices are catalogued by function (pushbuttons, indicating lights, selector switches) and follow a similar format. To provide catalog information that meets the needs of a variety of customers, catalog data has been organized into **three** categories:

- I. Most Frequently Used Devices – see page 5.
- II. Complete Assembled Devices – listed for each function.
- III. Unassembled Components – listed with Assembled Devices for each function.

Most Frequently Used Devices

For frequently used functions, such as "START" or "STOP" pushbuttons, special catalog numbers have been established. For example, the catalog number for a "stop" pushbutton is PB3STOP. If a corrosion resistant operator is required, the special catalog number (as shown on page 5) is PB4STOP. For all devices listed on page 5, the catalog number and list price cover the complete assembled device *plus* the appropriate legend plate required to make the function (e.g. "STOP").

Complete Assembled Devices

For each functional category, catalog numbers (and list prices) are given for complete assembled devices, both non-illuminated and illuminated. To order, first locate the function desired – e.g. Standard Pushbuttons, Illuminated (page 6). Then pick the catalog number that matches the application requirements – contact configuration and type of illuminated device (transformer, full voltage, etc.). Add the list price of the desired legend plate to the list price of the assembled device to determine the total list price, and order the legend plate separately.



Assembled Devices include Contact Block(s) and Operator

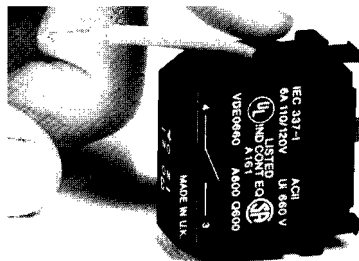
Unassembled Components

For each function, the components used to make the device are listed next to the assembled devices. Individual components can be ordered to make up additional configurations not found in the assembled device section or to make more flexible use of inventory.

Description

The PB3 line is a complete pushbutton line designed for industrial applications that must meet international standards for oil-tight and watertight pilot devices. The PB4 pushbutton line (similar to PB2) is specially designed to meet corrosion resistant requirements. PB3 and PB4 devices are UL listed and CSA certified and meet UL508, IEC337, and VDE0660.

PB3 and PB4 devices meet both UL and IEC environmental certification requirements. PB3 is UL listed for (NEMA) Type 1, 2, 3, 3R, 4, 12, and 13 without the need for rubber boots. PB4 is UL listed for Type 4X (in addition to the types listed for PB3) without rubber boots. Both PB3 and PB4 meet I.E.C. 529, IP65 and IP66 for operators with rubber boots.



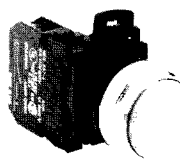
Contact Blocks are "Fingerproof"

Construction Features

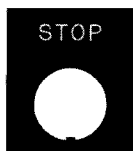
PB3/PB4 operators mount through the front of the panel. An octagonal mounting nut is then tightened from the back of the panel to secure the operator without the need of set screws or individual spacers. Panel thicknesses can be accommodated from a minimum of 0.04 inches to a maximum of 0.28 inches.

Designed to meet international standards (I.E.C. Standard IP20), terminals are shrouded or "finger proof" to reduce accidental contact. Both PB3 and PB4 meet UL type (NEMA) 4, 4X (PB4), and 13 (which exceed IP65 requirements) without the need for protective boots.

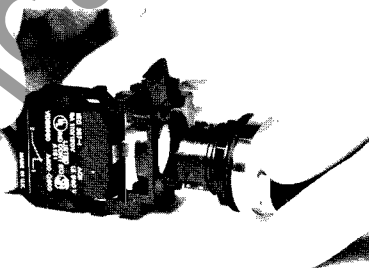
PB3 and PB4 use 30mm x 50mm of mounting space (using standard legend plates) and can save over 40% of panel area compared to 30mm pushbuttons with legend plates. Although they mount in a 22.5mm mounting hole, PB3/PB4 pushbuttons offer a "full" size operating face – a 25mm diameter is standard.



PB3STOP



PB3STOP Includes Legend Plate



Pushbutton Components Easy to Mount and Wire

Frequently Used Devices

Complete Pushbuttons Include the Following Items:



Contact Blocks



Mounting Adapter (Supplied with Operator)



Legend Plate (Optional)



Operator Plug (If Required)



Operator



PB3/PB4 22.5mm Pushbuttons Oil-tite and Water-tite

Colors

Eight translucent colors are available: black (standard for PB3 operators), light gray (standard for PB4), yellow, red, green, orange, blue, and white. Seven transparent colors are also available for indicating lights and illuminated pushbuttons, push-pull operators, and selector switches. These colors include red, green, yellow, amber, blue, white, and clear.

Complete Line

Both PB3 and PB4 lines offer a wide selection of functions. The following is a list of the functions available.

Pushbuttons – Momentary

- 25mm: Non-Illuminated and Illuminated
- 28, 40mm: Mushroom Head, Non-Illuminated
- 50mm: Mushroom Head-Plastic and Anodized Aluminum, Non-Illuminated

Pushbuttons – Maintained

- 28, 40mm: Twist Release, Non-Illuminated
- 50mm: Push-Pull-Plastic and Anodized Aluminum, Non-Illuminated
- 40mm: Key Release

Push-Pull

- 40mm: 2 and 3 Position, Non-Illuminated and Illuminated

Indicating Lights

Selector Switches – Maintained and Spring Return

- Lever or Knob: 2 and 3 Position, Non-Illuminated and Illuminated
- Key Operated: 2, 3, and 4 Position; 2, 3, and 4 Pole; Non-Illuminated

Contact Blocks

PB3 contact blocks are single circuit blocks used with both PB3 and PB4 operators. Contact blocks are mounted side by side. Contact blocks can be mounted on the left, center, and or right side of the mounting adapter.

Momentary pushbutton operators (non-illuminated) will accept up to 3 contact blocks. An operator plug (PB3BA2), listed under Accessories on page 18, must be used whenever a contact block is mounted in the "center" position. All other operators will accept up to two contact blocks, mounted on the left and/or right side.

PB3 contact blocks are rated 600 volts and meet UL codes A600 (AC) and Q600 (DC). The contacts are rated 10 amps continuous, 7200 VA make, 720 VA break. Contact blocks feature a "positive" drive on N.C. (PB3B and PB3D) which allows contacts to be forced open in emergency situations.

Contact blocks have color coded plungers to easily determine which are N.O. and N.C. The plungers also allow the contact status to be viewed from the rear of the block, simplifying installation.

Contact blocks have been designed for quick and easy wiring and installation. No tools are needed to install contact blocks or light units – they simply snap into the mounting adapter. This greatly reduces installation time. The mounting adapter itself clips and locks onto the operator so that all contact blocks can be removed easily, as a "single" piece. Contact blocks can be easily bench wired and then quickly installed.

Contact blocks have captive saddle clamp terminals that are "backed-out" when shipped. This reduces wiring time. Any standard blade, Phillips, or power screw-driver can be used.

PB3 contact blocks use a "knife point" design to insure contact integrity and reliable operation even on low energy circuits.

Legend Plates

Legend plates are available in three different types: aluminum for PB3, laminated plastic for PB4 (or PB3), and an "insert" version. The insert version makes it easy to change legends without removing the legend plates (carrier) or operator.

Legend plates come in standard size (30mm x 45mm) and jumbo (40mm x 45mm). Aluminum legend plates are available in red or black. Laminated legend plates and inserts are available in reversible colors: white/silver with black letters and red/black with white letters. Legend plates are generally ordered separately by style number.

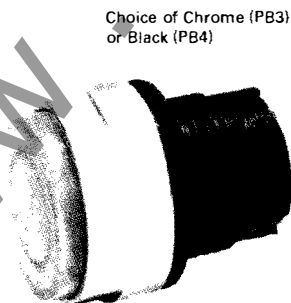
PB1/PB2 Pushbutton Line – 30mm

Westinghouse also offers a complete line of 30mm industrial, oiltight pushbuttons, selector switches, and indicating lights. PB1 and PB2 functionally parallel the PB3 and PB4 lines. A full line of 30mm complementary devices are also offered including miniature ammeters, voltmeters, elapsed time meters (and more), a 30mm line of ammeter and voltmeter switches, protective relays – including ground fault and phase loss/phase reversal relays – that mount in a 30mm mounting hole, and an eight position 30mm Device Panel. For further information on these devices, see the current edition of Catalog 25-000.

IEC Contactors and Overload Relays

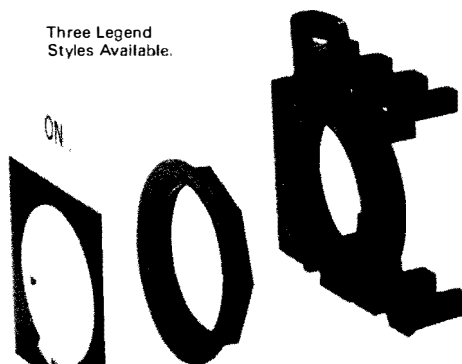
Westinghouse offers a complete line of contactors, overload relays, and control relays designed for industrial applications that meet international standards including UL, CSA, IEC, and VDE. For additional information on the complete line of IEC control, refer to Catalog Section 8250, available from Westinghouse, or the Catalog 25-000.

Variety of Operators Includes This Illuminated, Extended Button.

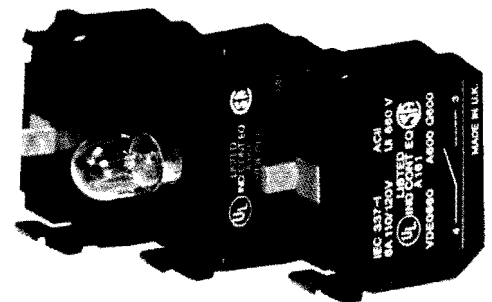


Choice of Chrome (PB3) or Black (PB4)

Three Legend Styles Available.



Octagonal Mounting Nut Eliminates Spacer Washers and Set Screws.



T3-1/4 Bayonet Base Lamps Used Throughout.

Locking Lever on Mounting Adapter Secures to Operator Without Tools.

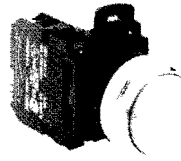
Light Units and Contact Blocks "Clip" In and Out of Mounting Adapter.



Pushbuttons
PB3/PB4 22.5 mm
NEMA Type 4, 4X, 13

Frequently Used Complete, Assembled Pushbuttons, Indicating Lights, and Selector Switches

The following list of complete assembled units covers the most commonly used push-button devices. These units are ordered by a single catalog number and are packaged with all the necessary components, including an appropriately engraved Legend Plate. If other functions are required, refer to the corresponding section in this catalog.



PB3STOP or PB4STOP

Includes Legend Plate

Table I

Function	PB3 Catalog No.	Cap/Lens Color	PB4 Catalog No.	Cap/Lens Color	Legend Plate	Contact Configuration	List Price
PUSHBUTTONS							
START Pushbutton	PB3START	Green	PB4START	Green	START	1NO	\$18
STOP Pushbutton	PB3STOP	Red	PB4STOP	Red	STOP	1NC	18
EMERGENCY STOP Mushroom Head Pushbutton (50mm)	PB3ESTOP	Red	PB4ESTOP	Red	EMERGENCY STOP	1NC	30
INDICATING LIGHTS							
ON Pilot Light 120 VAC Full Voltage	PB3ONLITE	Red	PB3ONLITE	Red	ON		36
OFF Pilot Light 120 VAC Full Voltage	PB3OFFLITE	Green	PB3OFFLITE	Green	OFF		36
RUN Pilot Light 120 VAC Full Voltage	PB3RUNLITE	Red	PB3RUNLITE	Red	RUN		36
SELECTOR SWITCHES							
OFF-ON Selector Switch	PB3OFFON	Black	PB4OFFON	Light Gray	OFF ON	OFF O ON X	22
RUN-JOG Selector Switch	PB3RUNJOG	Black	PB4RUNJOG	Light Gray	RUN JOG	RUN O JOG X X O	28
STOP-START Selector Switch	PB3STOPSTR	Black	PB4STOPSTR	Light Gray	STOP START	STOP X START O O X	28
HAND-OFF-AUTO Selector Switch	PB3HOA	Black	PB4HOA	Light Gray	HAND OFF AUTO	HAND OFF AUTO X O O O O X	28

The PB3/PB4 units listed in Table II below are the generic versions of the units listed in Table I. These PB3/PB4 assembled devices do not include legend plates. Legend plates must be ordered separately. See

page 16 for a complete list of standard legends. Custom legends are also available. If additional contact blocks are required, order separately by catalog number.

Table II

Generic Function	PB3 Catalog No.	Cap/Lens Color	PB4 Catalog No.	Cap/Lens Color	Contact Configuration	List Price
PUSHBUTTONS						
Flush Pushbutton	PB3AAHA	Black	PB4AAGA	Green	1NO	\$16.80
Extended Pushbutton	PB3ABRB1	Red	PB4ABRB1	Red	1NC	16.80
Mushroom Head Pushbutton (50mm)	PB3AHRB1	Red	PB4AHRB1	Red	1NC	28.80
INDICATING LIGHTS						
120VAC Full Voltage Pilot Light - Red	PB3HHRV7	Red	PB3HHRV7	Red		34.80
120V Full Voltage Pilot Light - Green	PB3HHGV7	Green	PB3HHGV7	Green		34.80
SELECTOR SWITCHES						
2 Position Selector Switch	PB3JDH2AA	Black	PB4JDL2AA	Light Gray	LEFT O RIGHT X	20.80
2 Position Selector Switch	PB3JOH2AAB	Black	PB4JDL2AAB	Light Gray	LEFT O RIGHT X X O	26.80
3 Position Selector Switch	PB3JEH1AAA5	Black	PB4JEL1AAA5	Light Gray	LEFT CENTER RIGHT X O O O O X	26.80

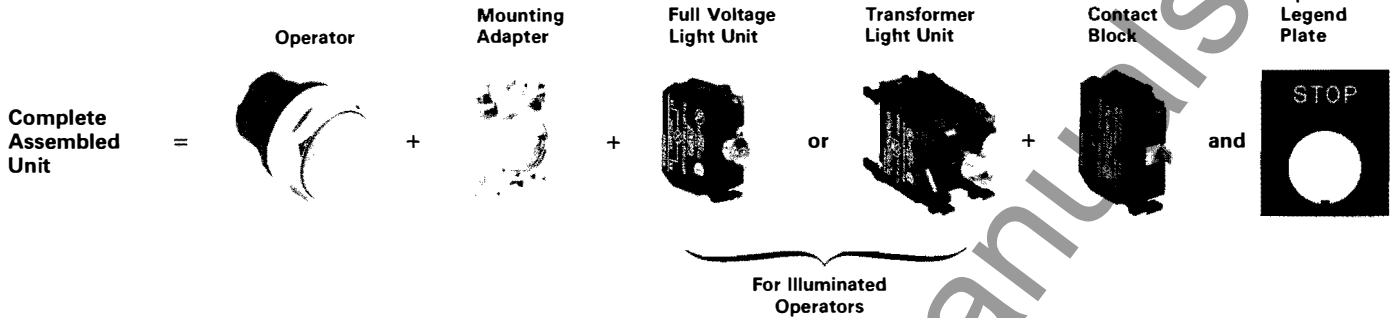


Pushbuttons

PB3/PB4 22.5mm NEMA Type 4, 4X, 13
Complete Assembled Standard Pushbuttons

Pushbuttons – Non-Illuminated and Illuminated

Description



Complete Units listed have black/red (Non-Illuminated/Illuminated) caps for PB3 push-button operators. If a different color is required, select the catalog letter from the **Cap Color Table** and substitute it for the SHADED letter in the catalog number.

PB3/PB4 – The catalog numbers on this page are for PB3 operators. If PB4 operators are desired, substitute "PB4" in place of "PB3" and the desired letter from the **Cap Color Table** for the SHADED letter in the catalog number listed.

Legend Plates – The price for a complete assembled unit does NOT include a legend plate. Order legend plates separately at **\$1.20** list each. Legend plates are listed on page 16.

Non-Illuminated Pushbuttons (Black Cap Standard)

Contact Arrangement			Catalog Numbers			List Price
Left	Center	Right	Flush Head	Extended Head	Extended Head Full Shroud	
1NO	—	—	PB3AAHA	PB3ABHA	PB3ADHA	\$16.80
1NC	—	—	PB3AAHB1	PB3ABHB1	PB3ADHB1	16.80
1NO	—	1NC	PB3AAHAB	PB3ABHAB	PB3ADHAB	22.80
1NO	—	1NO	PB3AAHAA5	PB3ABHAA5	PB3ADHAA5	22.80
1NC	—	1NC	PB3AAHB1B	PB3ABHB1B	PB3ADHB1B	22.80
1NO	1NO	1NO	PB3AAHAP5	PB3ABHAP5	PB3ADHAP5	29.60
1NO	1NO	1NC	PB3AAHAPB	PB3ABHAPB	PB3ADHAPB	29.60
1NO	1NC	1NC	PB3AAHAQB	PB3ABHAQB	PB3ADHAQB	29.60
1NC	1NC	1NC	PB3AAHB1QB	PB3ABHB1QB	PB3ADHB1QB	29.60

Cap Color Table

Color	Catalog Letter Designation	
	Non-Illuminated	Illuminated
Charcoal	H	—
Light Gray	L	—
Red	R	R
Green	G	G
Yellow	Y	Y
Blue	B	B
White	W	W
Orange	A	A
Clear	—	C

Illuminated Pushbuttons (Red Cap Standard)

Contact Arrangement	Voltage/Hz	Transformer Type		List Price	Voltage	Full Voltage Type		List Price
		Extended	Extended Full Shroud			Extended	Extended Full Shroud	
		Catalog Number	Catalog Number			Catalog Number	Catalog Number	
1NO	120 60	PB3GBRAT1	PB3GDRAT1	\$48.80	6 Ac/Dc	PB3GBRAV1	PB3GDRAV1	\$40.80
	240 60	PB3GBRAT2	PB3GDRAT2		12 Ac/Dc	PB3GBRAV2	PB3GDRAV2	
	380/415 50	PB3GBRAT13	PB3GDRAT13		24 Ac/Dc	PB3GBRAV3	PB3GDRAV3	
	480 60	PB3GBRAT3	PB3GDRAT3		120 Ac	PB3GBRAV7	PB3GDRAV7	
1NC	120 60	PB3GBRB1T1	PB3GDRB1T1	48.80	6 Ac/Dc	PB3GBRB1V1	PB3GDRB1V1	40.80
	240 60	PB3GBRB1T2	PB3GDRB1T2		12 Ac/Dc	PB3GBRB1V2	PB3GDRB1V2	
	380/415 50	PB3GBRB1T13	PB3GDRB1T13		24 Ac/Dc	PB3GBRB1V3	PB3GDRB1V3	
	480 60	PB3GBRB1T3	PB3GDRB1T3		120 Ac	PB3GBRB1V7	PB3GDRB1V7	
1NO/1NC	120 60	PB3GBRABT1	PB3GDRABT1	54.80	6 Ac/Dc	PB3GBRABV1	PB3GDRABV1	46.80
	240 60	PB3GBRABT2	PB3GDRABT2		12 Ac/Dc	PB3GBRABV2	PB3GDRABV2	
	380/415 50	PB3GBRABT13	PB3GDRABT13		24 Ac/Dc	PB3GBRABV3	PB3GDRABV3	
	480 60	PB3GBRABT3	PB3GDRABT3		120 Ac	PB3GBRABV7	PB3GDRABV7	



Pushbuttons
PB3/PB4 22.5mm NEMA Type 4, 4X, 13
Standard Pushbutton Components

Standard Pushbutton Components – Non-illuminated pushbutton operators can use up to 3 contact blocks (i.e. 3 circuits) mounted in the right, center, and left positions. An Operator Plug, PB3BA2, is required whenever a contact block is mounted in the center position. Illuminated pushbutton operators can use up to 2 contact blocks (2 circuits). When a Full Voltage Light Unit is used, it is mounted in the center position. The Full Voltage Light Units are the same size as a contact block and mount like a contact block. When a Transformer Light Unit is used, the contact blocks (up to two) are mounted behind the transformer on the right and left sides. All pushbutton operators come with a mounting adapter as standard.

If more than three circuits are required, up to 8 circuits can be achieved on a single pushbutton operator using alternative (stacking-type) contact blocks: PB3C0 (N.O.), PB3C1 (N.C.), and PB3C2 (N.O./N.C.). Contact your Westinghouse Control Support Center representative for further information.

Contact Blocks

Contact Arrangement	Symbol	Catalog Number	List Price
1NO		PB3A	\$6
1NC		PB3B	6
1NO, Early Make		PB3C	6
1NC, Delayed Break		PB3D	6
3 Pos. Push/Pull		PB3E	6

Light Units for Illuminated Pushbuttons

Source Voltage	Type	Cat. No.	List Price
120V Ac	Transformer	PB3T1	\$32.00
240V Ac	Transformer	PB3T2	32.00
480V Ac	Transformer	PB3T3	32.00
6V Ac/Dc	Full Voltage	PB3V1	24.20
12V Ac/Dc	Full Voltage	PB3V2	24.20
24V Ac/Dc	Full Voltage	PB3V3	24.20
120V Ac	Resistor Diode	PB3R1	24.00

Standard Accessories

Accessory	Catalog Number	List Price
Mounting Adapter (for replacement or retrofits)	PB3BA1	\$1.20
Operator Plug – required when mounting Contact Block in center position	PB3BA2	\$.60

Non-Illuminated Pushbutton Operators – Momentary Action
Will Accept Maximum of 3 Contact Blocks (3 Circuits)

Color	Catalog Number		List Price	Overall Dimensions mm [in]
	Chrome Type 4-13	Black Type 4X-13		
25 mm DIAMETER FLUSH BUTTON				
Black	PB3AAH	PB4AAH	\$10.80	 29.5 [1.17] 50 [1.97] 16 [0.63] Ship. Wt. 1.5 oz.
Red	PB3AAR	PB4AAR		
Green	PB3AAG	PB4AAG		
Yellow	PB3AA Y	PB4AA Y		
White	PB3AAW	PB4AAW		
Blue	PB3AAB	PB4AAB		
Gray	PB3AAL	PB4AAL		
Orange	PB3AAA	PB4AAA		
25 mm DIAMETER EXTENDED BUTTON				
Black	PB3ABH	PB4ABH	10.80	 29.5 [1.17] 50 [1.97] 20 [0.79] Ship. Wt. 1.5 oz.
Red	PB3ABR	PB4ABR		
Green	PB3ABG	PB4ABG		
Yellow	PB3AB Y	PB4AB Y		
White	PB3ABW	PB4ABW		
Blue	PB3ABB	PB4ABB		
Gray	PB3ABL	PB4ABL		
Orange	PB3ABA	PB4ABA		
25 mm DIA. EXT. FULL SHROUD				
Black	PB3ADH	10.80	 29.5 [1.17] 50 [1.97] 28 [1.1] Ship. Wt. 2.2 oz.
Red	PB3ADR		
Green	PB3ADG		
Yellow	PB3AD Y		
White	PB3ADW		
Blue	PB3ADB		
Gray	PB3ADL		
Orange	PB3ADA		

Illuminated Pushbutton Operators – Momentary Action
Will Accept Maximum of 2 Contact Blocks (2 Circuits)

Color	Catalog Number		List Price	Overall Dimensions mm [in]		
	Chrome Type 4-13	Black Type 4X-13				
25 mm DIAMETER FLUSH BUTTON						
Red	PB3GAR	PB4GAR	\$10.80	 29.5 [1.17] 94 [3.7] 50 [1.97] 16 [0.63] Ship. Wt. 1.5 oz.		
Green	PB3GAG	PB4GAG				
Yellow	PB3GAY	PB4GAY				
White	PB3GAW	PB4GAW				
Blue	PB3GAB	PB4GAB				
Amber	PB3GAA	PB4GAA				
Clear	PB3GAC	PB4GAC				
25 mm DIAMETER EXTENDED BUTTON						
Red	PB3GBR	PB4GBR			10.80	 29.5 [1.17] 94 [3.7] 50 [1.97] 20 [0.79] Ship. Wt. 1.5 oz.
Green	PB3GBG	PB4GBG				
Yellow	PB3GB Y	PB4GB Y				
White	PB3GBW	PB4GBW				
Blue	PB3GBB	PB4GBB				
Amber	PB3GBA	PB4GBA				
Clear	PB3GBC	PB4GBC				
25 mm DIA. EXT. BUTTON W/SHROUD						
Red	PB3GDR	10.80	 29.5 [1.17] 94 [3.7] 50 [1.97] 28 [1.1] Ship. Wt. 2.2 oz.		
Green	PB3GDG				
Yellow	PB3GD Y				
White	PB3GDW				
Blue	PB3GDB				
Amber	PB3GDA				
Clear	PB3GDC				

Further Information

Selling Policy 7000
PB3, PB4 Description, Pages 2 and 3
Contact Block Data, Page 20
Light Units, Page 20
Legend Plates, Page 16 and 17

Panel Layout, Page 20
Accessories, Page 18 and 19
Instruction Leaflet, IL 17225
UL File No. E 19223
CSA File No. LR 54094



Mounting Adapter

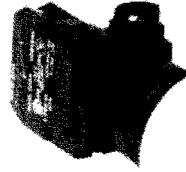
Operator Plug



Pushbuttons
PB3/PB4 22.5mm NEMA Type 4, 4X, 13
Complete Assembled Push-Pull



Push/Pull - PB3



Push/Pull - PB4

Complete Units have BLACK caps for PB3 non-illuminated and RED caps for illuminated operators. If a different color is required, select the catalog letter from the **Cap Color Table** and substitute it for the SHADED letter in the catalog number.

PB3/PB4 - The catalog numbers on this page are for PB3 operators. If PB4 operators are desired, substitute "PB4" in place of "PB3" and the desired letter from the **Cap Color Table** for the SHADED letter in the catalog number.

Legend Plates - The price for a complete assembled unit does NOT include a legend plate. If desired, choose one from the list below or turn to page 16 for a complete listing. Order legend plates separately at \$1.20 list each.

Non-Illuminated with Black Operator - 2 Position

Function	Contact Arrangement Viewed from Rear		Catalog Number	List Price	Type	Volts	Catalog Number	List Price
	LEFT	RIGHT						
Push-Pull Maintained	Out		PB3CBHB	\$40.80	Transformer 60/50 Hz	120 Ac 240 Ac 480 Ac	PB3FCRBT1 PB3FCRBT2 PB3FCRBT3	\$72.80
	Maintained							
	In							
	Maintained							
Push-Pull Maintained	Out		PB3CBHAB	\$46.80	Transformer 60/50 Hz	120 Ac 240 Ac 480 Ac	PB3FCRABT1 PB3FCRABT2 PB3FCRABT3	\$78.80
	Maintained							
	In							
	Maintained							

Illuminated with Red Operator - 2 Position

Non-Illuminated with Black Operator - 3 Position

Function	Contact Arrangement Viewed from Rear		Catalog Number	List Price	Type	Volts	Catalog Number	List Price
	LEFT	RIGHT						
Push-Pull Momentary	Out		PB3CAHGB	\$46.80	Transformer 60/50 Hz	120 Ac 240 Ac 480 Ac	PB3GJRGBT1 PB3GJRGBT2 PB3GJRGBT3	\$78.80
	Momentary							
	Center							
	Maintained							
Push-Pull Momentary	In		PB3CAHD1B	\$46.80	Transformer 60/50 Hz	120 Ac 240 Ac 480 Ac	PB3GJRD1BT1 PB3GJRD1BT2 PB3GJRD1BT3	\$78.80
	Momentary							
	Center							
	Maintained							

Illuminated with Red Operator - 3 Position

Contact Block Application - Operators Will Accept Up To 2 Contact Blocks (2 Circuits). Contact Block PB3A Can Not Be Used On 3 Position Operators.

Two Position Push-Pull				Three Position Push-Pull			
Contact Block	Circuit	Circuit Out	Operation [ⓐ]	Contact Block	Circuit	Circuit Out	Operation [ⓐ]
PB3A		O	X	PB1B		X	O O
PB3B		X	O	PB1D		X	X O
				PB1E		O	O X

ⓐ X = Closed, O = Open

Cap Color Table

Color	Catalog Letter Designation	
	Non-Illuminated	Illuminated
Black	H (PB3 Std.)	—
Light Gray	L (PB4 Std.)	—
Red	R	R
Green	G	G
Yellow	Y	Y
Blue	B	B
White	W	W
Orange	A	A
Clear	—	C



Pushbuttons PB3/PB4 22.5mm NEMA Type 4, 4X, 13 Push-Pull Components

Non-Illuminated

Will Accept up to 2 Contact Blocks (2 Circuits)

Color	Catalog Number		List Price	Overall Dimensions mm [in]
	Chrome Type 4-13	Black Type 4X-13		
2 POSITION — 40mm DIA. BUTTON (Maintained)				
Black	PB3CBH	PB4CBH	\$22.80	
Red	PB3CBR	PB4CBR		
Green	PB3CBG	PB4CBG		
Yellow	PB3CBY	PB4CBY		
White	PB3CBW	PB4CBW		
Blue	PB3CBB	PB4CBB		
Gray	PB3CBL	PB4CBL		
Orange	PB3CBA	PB4CBA		
Ship. Wt. 1.5 oz.				

Color	Catalog Number		List Price	Overall Dimensions mm [in]
	Chrome Type 4-13	Black Type 4X-13		
3 POSITION — 40mm DIA. BUTTON (Spring Return to Center)				
Black	PB3CAH	PB4CAH	22.80	
Red	PB3CAR	PB4CAR		
Green	PB3CAG	PB4CAG		
Yellow	PB3CAY	PB4CAY		
White	PB3CAW	PB4CAW		
Blue	PB3CAB	PB4CAB		
Gray	PB3CAL	PB4CAL		
Orange	PB3CAA	PB4CAA		
Ship. Wt. 1.5 oz.				

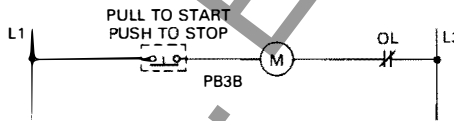
Illuminated

Will Accept up to 2 Contact Blocks (2 Circuits). On full voltage light units, the contact block(s) mount to either side of light unit – on transformer type light units, the contact blocks mount on the back of the transformer.

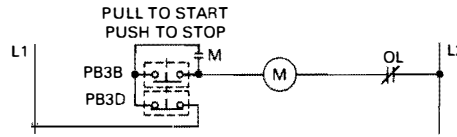
Color	Catalog Number		List Price	Overall Dimensions mm [in]		
	Chrome Type 4-13	Black Type 4X-13				
2 POSITION — 40mm DIAMETER LENS (Maintained)						
Red	PB3FCR	PB4FCR	\$22.80			
Green	PB3FCG	PB4FCG				
Yellow	PB3FCY	PB4FCY				
White	PB3FCW	PB4FCW				
Blue	PB3FCB	PB4FCB				
Amber	PB3FCA	PB4FCA				
Clear	PB3FCC	PB4FCC				
Ship. Wt. 1.5 oz.						

Color	Catalog Number		List Price	Overall Dimensions mm [in]		
	Chrome Type 4-13	Black Type 4X-13				
3 POSITION — 40mm DIAMETER LENS (Spring Return to Center)						
Red	PB3GJR	PB4GJR	22.80			
Green	PB3GJG	PB4GJG				
Yellow	PB3GJY	PB4GJY				
White	PB3GJW	PB4GJW				
Blue	PB3GJB	PB4GJB				
Amber	PB3GJA	PB4GJA				
Clear	PB3GJC	PB4GJC				
Ship. Wt. 1.5 oz.						

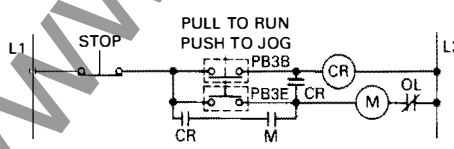
Application Examples



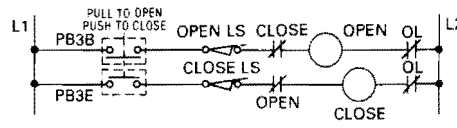
2 Position Push-Pull Operator
Arranged for Pull-To-START/ Push-To-STOP Operation



3 Position Push-Pull Operator
Arranged for Pull-To-START/ Push-To-STOP Operation



3 Position Push-Pull Operator
Arranged for Pull-To-RUN/ Push-To-JOG Operation



3 Position Push-Pull Operator
Arranged for Pull-To-OPEN/ Push-To-CLOSE Operation

Push/Pull Caps Only – 40mm Diameter

Color	Non-Illum.	List Price	Illuminated	List Price
Charcoal	PB3VQH	\$2.80	—	—
Red	PB3VQR	2.80	PB3WDR	\$2.80
Green	PB3VQG	2.80	PB3WDG	2.80
Yellow	PB3VQY	2.80	PB3WDY	2.80
Blue	PB3VQB	2.80	PB3WDB	2.80
White	PB3VQW	2.80	PB3WDW	2.80
Orange/Amber	PB3VQA	2.80	PB3WDA	2.80
Lt. Gray	PB3VQL	2.80	—	—
Clear	—	2.80	PB3VQC	2.80

Contact Blocks

Contact Arrangement	Symbol	Catalog Number	List Price
1NO		PB3A	\$6
1NC		PB3B	6
1NO, Early Make		PB3C	6
1NC, Delayed Break		PB3D	6
1NO, Special		PB3E	6

Transformer Kits for Illuminated Push Pull Operators.

Transformer Voltage (60/50 Hz)	Catalog Number	List Price
120V	PB3T1	\$32
240V	PB3T2	32
480V	PB3T3	32
380/415V (50 Hz)	PB3T13	32

Light Units for Full Voltage Illuminated Push Pull Operators

Includes a T3-1/4 Bayonet Base Lamp (except where noted)

Description	Supply Voltage		Catalog Number	Price
	60 Hz	50 Hz		
Resistor/Diode Ac Only	120	110	PB3R1	\$24.00
Full Voltage Ac/Dc	6		PB3V1	24.20
	12		PB3V2	
	24		PB3V3	
	48/50		PB3V5	
	60		PB3V6	
Unit w/o Lamp			PB3V	22.00
Neon [Ⓢ] Ac Only	120	110	PB3N1	24.00
	240	220	PB3N2	

Ⓢ Recommended for use with amber, yellow, or clear illuminated operators only.

Legend Plates – Standard Aluminum

Style	Legend
269P730H01	Blank
269P730H42	Pull On – Push Off
269P730H43	Pull Open – Push Closed
269P730H75	Pull Start – Push Stop
269P730H50	Pull Up – Push Down

Further Information

Selling Policy 7000
 PB3, PB4 Description, Pages 2 and 3
 Contact Block Data, Page 20
 Light Units, Page 20
 Legend Plates, Page 16 and 17
 Accessories, Page 18 and 19
 Instruction Leaflet, IL 17225
 UL File No. E 19223
 CSA File No. LR 54094

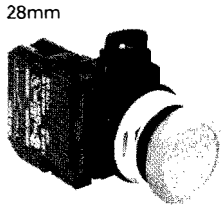


Pushbuttons
PB3/PB4 22.5mm NEMA Type 4, 4X, 13
Mushroom Head Pushbuttons

Complete Units have RED caps for PB3 mushroom head pushbutton operators. If a different color is required, select the catalog letter from the **Cap Color Table** and substitute it for the SHADED letter in the catalog number.

PB3/PB4 – The catalog numbers on this page are for PB3 operators. If PB4 operators are desired, substitute "PB4" in place of "PB3" and the desired letter from the **Cap Color Table** for the SHADED letter in the catalog number.

Legend Plates – The price for a complete assembled unit does NOT include a legend plate. If desired, choose one from the list below or from page 16. Order legend plates separately at **\$1.20** list each.



Complete Assembled Units – Momentary

Contact Arrangement			28mm Diameter	40mm Diameter	50mm Diameter	List Price
LEFT	CENTER	RIGHT				
1NO	—	—	PB3AGRA	PB3AERA	PB3AHRA	\$28.80
1NC	—	—	PB3AGRB1	PB3AERB1	PB3AHRB1	28.80
1NO	—	1NC	PB3AGRAB	PB3AERAB	PB3AHRAB	34.80
1NO	—	1NO	PB3AGRAA5	PB3AERAA5	PB3AHRAA5	34.80
1NC	—	1NC	PB3AGRB1B	PB3AERB1B	PB3AHRB1B	34.80
1NO	1NO	1NO	PB3AGRAPA5	PB3AERAPA5	PB3AHRAPA5	41.60
1NO	1NO	1NC	PB3AGRAPB	PB3AERAPB	PB3AHRAPB	41.60
1NO	1NC	1NC	PB3AGRAOB	PB3AERAOB	PB3AHRAOB	41.60
1NC	1NC	1NC	PB3AGRB1QB	PB3AERB1QB	PB3AHRB1QB	41.60
Component Operators Only			PB3AGR	PB3AER	PB3AHR	22.80

Complete Assembled Units – Maintained

Contact Arrangement		Twist Release		List Price	Push to Latch-Pull to Release	List Price	Key Release	List Price
LEFT	RIGHT	28mm Diameter	40mm Diameter					
1NO	—	PB3CGRA	PB3CHRA	\$38.80	PB3CKRA	\$28.80	PB3DJRA	\$48.80
1NC	—	PB3CGRB1	PB3CHRB1	38.80	PB3CKRB1	28.80	PB3DJRB1	48.80
1NO	1NC	PB3CGRAB	PB3CHRAB	44.80	PB3CKRAB	34.80	PB3DJRAB	54.80
1NO	1NO	PB3CGRAA5	PB3CHRAA5	44.80	PB3CKRAA5	34.80	PB3DJRAA5	54.80
1NC	1NC	PB3CGRB1B	PB3CHRB1B	44.80	PB3CKRB1B	34.80	PB3DJRB1B	54.80
Component Operators Only		PB3CGR	PB3CHR	32.80	PB3CKR	22.80	PB3DJR	42.20

Cap Color Table

Color	Catalog Letter
Charcoal	H
Red	R
Green	G
Yellow [Ⓢ]	Y
Blue [Ⓢ]	B

Special Function Mushroom Head Pushbuttons – 50mm Diameter – Red Cap Only

Function	Momentary (Accepts up to 3 Contact Blocks)		Maintained (Accepts up to 2 Contact Blocks)	
	Catalog No.	List	Catalog No.	List
Anodized Aluminum Head, Red	PB3AFR	\$26.80	PB3CCR	\$26.80
Anodized Aluminum Head, Red Engraved "EMERGENCY STOP"	PB3AMR	29.80	PB3CJR	29.80

Common Legend Plates

Legend Plate Type	Style [Ⓢ]	Legend	Style Suffix [Ⓢ]	List
Aluminum – Jumbo	269P713 [Ⓢ]	EMERGENCY STOP	H04	\$1.20
	Red	OPEN	H69	1.20
	Black	RESET	H20	1.20
Laminated – Jumbo	269P712 [Ⓢ]	STOP	H28	1.20
	Red	TEST	H29	1.20
	Black	FEED STOP	H78	1.20
	White	MOTOR STOP	H60	1.20
Special 70mm Dia. Yellow Legend Plate Printed "EMERGENCY STOP" – Style 269P732H04				\$5.20

[Ⓢ] Add appropriate style "suffix" to complete the style number. Example: Jumbo Aluminum in Red, engraved "STOP" is style number 269P713H28.

Special 70mm Legend Plate





Indicating Lights
PB3/PB4 22.5mm NEMA Type 4, 4X, 13
Full Voltage and Transformer Type, Push-To-Test Type

Complete Units have RED lenses. If a different color is required, specify by selecting a letter from **Lens Color Table** and substituting it for the **SHADED** letter in the catalog number.

PB3/PB4 – The catalog numbers listed are for PB3 Push-To-Test lights. If PB4 is desired, substitute "PB4" in place of "PB3" in the catalog number. There are no PB4 versions of the pilot lights.

Legend Plates – The price for an assembled unit does NOT include a legend plate. If desired, choose one from page 16. Order legend plate separately at **\$1.20** list each.

Full Voltage Indicating Light – 25 mm Diameter

Rating	Catalog No. Standard Lens	List Price	Catalog No. Insert Version	List Price	Overall Dimensions mm (in.)
12V AC/DC	PB3HHRV2	35.00	PB3HIRV2	37.20	
24V AC/DC	PB3HHRV3	35.00	PB3HIRV3	37.20	
48V AC/DC	PB3HHRV5	35.00	PB3HIRV5	37.20	
60V AC/DC	PB3HHRV6	35.00	PB3HIRV6	37.20	
120V AC	PB3HHRV7	35.00	PB3HIRV7	37.20	

Transformer Indicating Light – 25 mm Diameter

Rating	Catalog No. Standard Lens	List Price	Catalog No. Insert Version	List Price
120/110V 60/50 Hz	PB3HHRV1	42.80	PB3HIRT1	45.00
240/220V 60/50 Hz	PB3HHRV2	42.80	PB3HIRT2	45.00
380/415V 50 Hz	PB3HHRV3	42.80	PB3HIRT3	45.00
480/440V 60/50 Hz	PB3HHRV5	42.80	PB3HIRT3	45.00

Push-to-Test Full Voltage Light – 25 mm Diameter

Rating	Catalog No.	List Price	Overall Dimensions mm (in.)
6V AC/DC	PB3GVRV1	47.00	
12V AC/DC	PB3GVRV2	47.00	
24V AC/DC	PB3GVRV3	47.00	
48V AC/DC	PB3GVRV5	47.00	
60V AC/DC	PB3GVRV6	47.00	
120V AC	PB3GVRV7	47.00	

Push-to-Test Transformer Light – 25 mm Diameter

Rating	Catalog No.	List Price	Overall Dimensions mm (in.)
120/110V 60/50 Hz	PB3GTRT1	54.80	
240/220V 60/50 Hz	PB3GTRT2	54.80	
380/415V 50 Hz	PB3GTRT13	54.80	
480/440V 60/50 Hz	PB3GTRT3	54.80	

Lens Assembly without Light Unit

Standard	Color	Catalog No. Standard Ind. Light	List Price	Catalog No. Replacement Lens	List Price	Overall Dimensions mm (in.)
	Red	PB3HHR	\$10.80	PB3XPR	\$ 2.80	
	Green	PB3HHG	10.80	PB3XPG	2.80	
	Yellow	PB3HHY	10.80	PB3XPY	2.80	
	Amber	PB3HHA	10.80	PB3XPA	2.80	
	Blue	PB3HHB	10.80	PB3XPB	2.80	
	White	PB3HHW	10.80	PB3XPW	2.80	
	Clear	PB3HHC	10.80	PB3XPC	2.80	
Insert Version (Legend Not Included)	Color	Insert Ind. Light	List Price	Replacement Lens	List Price	Overall Dimensions mm (in.)
	Red	PB3HIR	\$13.00	PB3XNR	\$ 2.80	
	Green	PB3HIG	13.00	PB3XNG	2.80	
	Yellow	PB3HIY	13.00	PB3XNY	2.80	
	Amber	PB3HIA	13.00	PB3XNA	2.80	
	Blue	PB3HIB	13.00	PB3XNB	2.80	
	White	PB3HIW	13.00	PB3XNW	2.80	
	Clear	PB3HIC	13.00	PB3XNC	2.80	

Lens Color Table

R Red	B Blue
G Green	W White
Y Yellow	C Clear
A Amber	

Operator Only, Push-to-Test Lights

Catalog Number	Color	List Price
PB3GBR	Red	\$10.80
PB3GBG	Green	10.80
PB3GBA	Amber	10.80

Light Units Only, Push-to-Test Lights with Prewired 1NO-1NC Contact Blocks

Type	Voltage	Catalog Number	List
Transformer	120VAC	PB3GTOT1	\$44.00
Full Voltage	24VAC/DC	PB3GVOV3	36.20
Full Voltage	120VAC	PB3GVOV7	36.20



Selector Switches
PB3/PB4 22.5mm NEMA Type 4, 4X, 13
2 Position

Complete Units — have CHARCOAL knobs as indicated. If a different color is required, select the catalog letter from the **Knob Color Table** and substitute it for the SHADED letter in the catalog number. Follow the same procedure when ordering "operators only".

PB3/PB4 — The catalog numbers on this page are for PB3 operators. If PB4 operators are desired, substitute "PB4" in place of "PB3" and the desired letter from the **Knob Color Table** for the SHADED letter in the catalog number.

Legend Plates — The price for a complete assembled unit does NOT include a legend plate. If desired, choose one from the list of Common Legend Plates below or turn to page 16. Order legend plates separately at **\$1.20** list each.

Assembled Selector Switches, Non-Illuminated — 2 Position

Contact Arrangement Viewed from Rear		Operator Position O = Open, X = Closed		Type of Operator (Color = CHARCOAL)	Maintained Position	Spring Return from Right
Left	Right				Catalog Number List Price	Catalog Number List Price
—	NC	X	O	Knob Swing Lever Key: Lock Right & Center Lock Right Lock Center	PB3JGH2AB \$20.80 PB3JDH2AB 20.80 PB3KGH2AB 44.80 PB3KFH2AB 44.80 PB3KEH2AB 44.80	PB3JQH2AB \$28.80 PB3JPH2AB 28.80 PB3LGH2AB 52.80
NO	—	O	X	Knob Swing Lever Key: Lock Right & Center Lock Right Lock Center	PB3JGH2AA 20.80 PB3JDH2AA 20.80 PB3KGH2AA 44.80 PB3KFH2AA 44.80 PB3KEH2AA 44.80	PB3JQH2AA 28.80 PB3JPH2AA 28.80 PB3LGH2AA 52.80
NO	NC	X	O	Knob Swing Lever Key: Lock Right & Center Lock Right Lock Center	PB3JGH2AAB 26.80 PB3JDH2AAB 26.80 PB3KGH2AAB 50.80 PB3KFH2AAB 50.80 PB3KEH2AAB 50.80	PB3JQH2AAB 34.80 PB3JPH2AAB 34.80 PB3LGH2AAB 58.80
NO	NO	O	X	Knob Swing Lever Key: Lock Right & Center Lock Right Lock Center	PB3JGH2AAA5 26.80 PB3JDH2AAA5 26.80 PB3KGH2AAA5 50.80 PB3KFH2AAA5 50.80 PB3KEH2AAA5 50.80	PB3JQH2AAA5 34.80 PB3JPH2AAA5 34.80 PB3LGH2AAA5 58.80
NC	NC	X	O	Knob Swing Lever Key: Lock Right & Center Lock Right Lock Center	PB3JGH2AB1B 26.80 PB3JDH2AB1B 26.80 PB3KGH2AB1B 50.80 PB3KFH2AB1B 50.80 PB3KEH2AB1B 50.80	PB3JQH2AB1B 34.80 PB3JPH2AB1B 34.80 PB3LGH2AB1B 58.80
Rotary-Cam Switch	Circuit 1-2 Circuit 3-4 Circuit 5-6	O O O	X X X	Swing Lever Key: Lock Right & Center Lock Center	PB3JDH1CA3 32.80 PB3KGH1CA3 56.80	PB3JPH1CA3 40.80 PB3LGH1CA3 64.80
Rotary-Cam Switch	Circuit 1-2 Circuit 3-4 Circuit 5-6 Circuit 7-8	O O O O	X X X X	Swing Lever Key: Lock Right & Center Lock Center	PB3JDH1CA4 38.80 PB3KGH1CA4 62.80	PB3JPH1CA4 46.80 PB3LGH1CA4 70.80

Assembled Selector Switches, Illuminated — 2 Position

Contact Arrangement Viewed from Rear		Operator Position O = Open, X = Closed		Type of Operator (Color = RED)	Type	Source Voltage	Maintained Position	Spring Return from Right
Left	Right						Catalog Number List Price	Catalog Number List Price
NO	NC	X O	O X	Knob	Transformer	120VAC 240VAC 480VAC	PB3NTR2AABT1 \$58.80 PB3NTR2AABT2 58.80 PB3NTR2AABT3 58.80	PB3NUR2AABT1 \$66.80 PB3NUR2AABT2 66.80 PB3NUR2AABT3 66.80
					Full Voltage	12AC/DC 24AC/DC 120VAC	PB3NTR2AABV2 51.00 PB3NTR2AABV3 51.00 PB3NTR2AABV7 51.00	PB3NUR2AABV2 59.00 PB3NUR2AABV3 59.00 PB3NUR2AABV7 59.00
NO	NC	X O	O X	Swing Lever	Transformer	120VAC 240VAC 480VAC	PB3MTR2AABT1 58.80 PB3MTR2AABT2 58.80 PB3MTR2AABT3 58.80	PB3JLR2AABT1 66.80 PB3JLR2AABT2 66.80 PB3JLR2AABT3 66.80
					Full Voltage	12AC/DC 24AC/DC 120VAC	PB3MTR2AABV2 51.00 PB3MTR2AABV3 51.00 PB3MTR2AABV7 51.00	PB3JLR2AABV2 59.00 PB3JLR2AABV3 59.00 PB3JLR2AABV7 59.00
NO	NO	O O	X X	Knob	Transformer	120VAC 240VAC 480VAC	PB3NTR2AAA5T1 58.80 PB3NTR2AAA5T2 58.80 PB3NTR2AAA5T3 58.80	PB3NUR2AAA5T1 66.80 PB3NUR2AAA5T2 66.80 PB3NUR2AAA5T3 66.80
					Full Voltage	12AC/DC 24AC/DC 120VAC	PB3NTR2AAA5V2 51.00 PB3NTR2AAA5V3 51.00 PB3NTR2AAA5V7 51.00	PB3NUR2AAA5V2 59.00 PB3NUR2AAA5V3 59.00 PB3NUR2AAA5V7 59.00
NO	NO	O O	X X	Swing Lever	Transformer	120VAC 240VAC 480VAC	PB3MTR2AAA5T1 58.80 PB3MTR2AAA5T2 58.80 PB3MTR2AAA5T3 58.80	PB3JLR2AAA5T1 66.80 PB3JLR2AAA5T2 66.80 PB3JLR2AAA5T3 66.80
					Full Voltage	12AC/DC 24AC/DC 120VAC	PB3MTR2AAA5V2 51.00 PB3MTR2AAA5V3 51.00 PB3MTR2AAA5V7 51.00	PB3JLR2AAA5V2 59.00 PB3JLR2AAA5V3 59.00 PB3JLR2AAA5V7 59.00



Selector Switches
PB3/PB4 22.5mm, NEMA Type 4, 4X, 13
3 Position

Selector Switches – 3 Position Non-Illuminated and Illuminated Complete Assembled Units

Complete Units – have CHARCOAL or RED knobs as indicated. If a different color is required, select the catalog letter from the **Knob Color Table** and substitute it for the SHADED letter in the catalog number.

PB3/PB4 – Catalog numbers on this page are for PB3. If PB4 operators are desired, substitute "PB4" in place of "PB3" and the desired letter from the **Knob Color Table** for the SHADED letter in the catalog number.

Legend Plates – The price for a complete assembled unit does NOT include a legend plate. If desired, choose one from the list below or turn to page 16. Order legend plates separately at **\$1.20** list each.

How to Order

To determine the catalog number of a complete selector switch, the desired catalog PREFIX and catalog SUFFIX must be selected. The Catalog Number = Catalog PREFIX + Catalog SUFFIX. The **total** list price for the complete selector switch is

listed for each operator in Tables A and B. To determine the desired Catalog PREFIX, use Operator Table A for Non-Illuminated Operators OR Table B for Illuminated. Choose the operator based on (1) type of operator desired, (2) operator function (maintained or spring return), and if illumi-

nated (3) type and voltage of light unit. NEXT, select the desired switching sequence from the Switch Sequence Table to determine the Catalog SUFFIX. Add the two "parts" of the catalog number as indicated in the Operator Tables below. For additional switch sequences, turn to page 14.

Operate Table A — 3 Position Non-Illuminated Selector Switches: Catalog Number PREFIX

Type of Operator (Color = Charcoal)	Maintained		Spring Return Left to Center		Spring Return Right to Center		Spring Return Both to Center	
	Catalog PREFIX	Total List	Catalog PREFIX	Total List	Catalog PREFIX	Total List	Catalog PREFIX	Total List
Knob	PB3JHHⓈ	\$26.80	PB3JTHⓈ	\$34.80	PB3JWHⓈ	\$34.80	PB3KAHⓈ	\$34.80
Swing Lever	PB3JEHⓈ	26.80	PB3JSHⓈ	34.80	PB3JVHⓈ	34.80	PB3JYHⓈ	34.80
KeyⓈ	Left	PB3KHHⓈ	50.80	PB3LWHⓈ	58.80
	Center	PB3KJHⓈ	50.80	PB3LYHⓈ	58.80
Locking Position	Right	PB3KKHⓈ	50.80	PB3LUHⓈ	58.80	PB3LLHⓈ	58.80
	All	PB3KPHⓈ	50.80
	Left and Center	PB3KLHⓈ	50.80	PB3LJHⓈ	58.80
	Right and Center	PB3KMHⓈ	50.80	PB3LKHⓈ	58.80
Left and Right	PB3KIHⓈ	50.80	

Operator Table B — 3 Position Illuminated Selector Switches: Catalog Number PREFIX

Type of Operator (Color = Red)	Type	Source Voltage	Maintained		Spring Return Left to Center		Spring Return Right to Center		Spring Return Both to Center	
			Catalog PREFIX	List	Catalog PREFIX	List	Catalog PREFIX	List	Catalog PREFIX	List
Knob	Transformer	120VAC	PB3NYRⓈT1	\$58.80	PB3NVRⓈT1	\$66.80	PB3NXRⓈT1	\$66.80	PB3NWRⓈT1	\$66.80
		240VAC	PB3NYRⓈT2	58.80	PB3NVRⓈT2	66.80	PB3NXRⓈT2	66.80	PB3NWRⓈT2	66.80
		480VAC	PB3NYRⓈT3	58.80	PB3NVRⓈT3	66.80	PB3NXRⓈT3	66.80	PB3NWRⓈT3	66.80
	Full Voltage	12 AC/DC	PB3NYRⓈV2	51.00	PB3NVRⓈV2	59.00	PB3NXRⓈV2	59.00	PB3NWRⓈV2	59.00
		24 AC/DC	PB3NYRⓈV3	51.00	PB3NVRⓈV3	59.00	PB3NXRⓈV3	59.00	PB3NWRⓈV3	59.00
		120VAC	PB3NYRⓈV7	51.00	PB3NVRⓈV7	59.00	PB3NXRⓈV7	59.00	PB3NWRⓈV7	59.00
Swing Lever	Transformer	120VAC	PB3MWRⓈT1	58.80	PB3MURⓈT1	66.80	PB3MXRⓈT1	66.80	PB3NBRⓈT1	66.80
		240VAC	PB3MWRⓈT2	58.80	PB3MURⓈT2	66.80	PB3MXRⓈT2	66.80	PB3NBRⓈT2	66.80
		480VAC	PB3MWRⓈT3	58.80	PB3MURⓈT3	66.80	PB3MXRⓈT3	66.80	PB3NBRⓈT3	66.80
	Full Voltage	12 AC/DC	PB3MWRⓈV2	51.00	PB3MURⓈV2	59.00	PB3MXRⓈV2	59.00	PB3NBRⓈV2	59.00
		24 AC/DC	PB3MWRⓈV3	51.00	PB3MURⓈV3	59.00	PB3MXRⓈV3	59.00	PB3NBRⓈV3	59.00
		120VAC	PB3MWRⓈV7	51.00	PB3MURⓈV7	59.00	PB3MXRⓈV7	59.00	PB3NBRⓈV7	59.00

Ⓢ To complete the catalog number, add catalog suffix from the Switch Sequence Table below.

Ⓢ Key operated switches available in Charcoal only.

Switch Sequence Table — 3 Position Selector Switches: Catalog Number SUFFIX

(Also see Rotary-Cam Switches on page 14.)

Contact Arrangement (Viewed from Rear)	Switch Sequence	Catalog SUFFIX	Contact Arrangement (Viewed from Rear)	Switch Sequence	Catalog SUFFIX
NC	NC	1AB1B	NC	NC	2AB1B
NO	NO	1AAA5	NO	NO	2AAA5

Lever Throw

Type	2 Position	3 Position
Maintained	45°	45° 45°
Spring Return	30°	30° 30°

Knob Color Table

ColorⓈ	Catalog Letter Designation	
	Non-Illuminated	Illuminated
Charcoal	H	---
Light Gray	L	---
Red	R	R
Green	G	G
Yellow	Y	Y
Blue	B	B
White	W	W
Orange/Amber	A	A
Clear	—	C

Common Legend Plates

Legend Plate Type/Size	StyleⓈ	Legend	Style SuffixⓈ	List
Aluminum – Standard	Start-Stop	H48	\$1.20
Red	269P711Ⓢ	Forward-Reverse	H32	1.20
Black	269P710Ⓢ	Local-Remote	H95	1.20
Aluminum – Jumbo	Jog-Stop-Run	H81	1.20
Red	269P713Ⓢ	Open-Off-Close	H84	1.20
Laminated – Standard	Raise-Off-Lower	H88	1.20
White	269P716Ⓢ	Forward-Off-Reverse	H82	1.20
Black	269P714Ⓢ	Slow-Off-Fast	H89	1.20

Ⓢ Add appropriate style "suffix" to complete the style number. Example: Standard Aluminum in Black, engraved "Jog-Stop-Run" is style number 269P710H81.



Selector Switches
PB3/PB4 22.5mm NEMA Type 4, 4X, 13
3 and 4 Position, Multiple Pole Rotary Cam Switches

Selector Switches – 3 and 4 Position, Multiple Pole, Non-Illuminated Complete Assembled Units

Complete Units – have CHARCOAL (black) swing knobs as standard. If a different color is required, select the catalog letter from the Knob Color Table and substitute it for the SHADED letter in the catalog number.

PB3/PB4 – If PB4 is desired, substitute "PB4" in place of "PB3" in the catalog number listed. Units listed below are supplied with rotary cam switches rated 10A at 300VAC.

Legend Plates – The price for a complete assembled unit does NOT include a legend plate. If desired, select from page 16. Order legend plates separately at \$1.20 list each.

Selector Switches – 3 Position, Non-Illuminated

Number of Poles	Circuit Number	Operator Position O = Open, X = Closed	Type of Operator	Maintained Position			Spring Return Both to Center		
				Catalog Number	List Price	Lever Throw	Catalog Number	List Price	Lever Throw
2 Pole	1-2	X O O	Swing Lever	PB3JEH1CB1A5	\$26.80	45°/45°	
	3-4	O X O	Key Operated ^③	PB3KPH1CB1A5	50.80		
3 Pole	1-2	X O O	Swing Lever	PB3JEH1CF1Q1	32.80	45°/45°	
	3-4	O O X	Key Operated ^③	PB3KPH1CF1Q1 ^①	56.80		
	5-6	O X O							
4 Pole	1-2	X O O	Swing Lever	PB3JEH1CB2B6	38.80	45°/45°	PB3JYH1CB2B6	\$46.80	30°/30°
	3-4	O O X	Key Operated ^③	PB3KPH1CB2B6 ^①	62.80		PB3LLH1CB2B6 ^②	70.80	
	5-6	X O O							
	7-8	O O X							
4 Pole	1-2	X O O	Swing Lever	PB3JEH2CB2B6	38.80	45°/45°	
	3-4	O X O	Key Operated ^③	PB3KPH2CB2B6 ^①	62.80		
	5-6	X O O							
	7-8	O X O							
4 Pole	1-2	O X O	Swing Lever	PB3JEH3CB2B6	38.80	45°/45°	
	3-4	O O X	Key Operated ^③	PB3KPH3CB2B6 ^①	62.80		
	5-6	O X O							
	7-8	O O X							

① Key removable in all positions. ② Key removable in center position only.

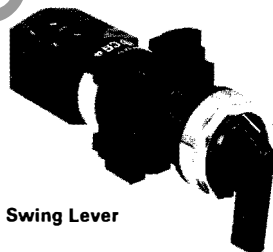
Selector Switches – 4 Position, Non-Illuminated

Number of Poles	Circuit Number	Operator Position O = Open, X = Closed	Type of Operator	Maintained Position		
				Catalog Number	List Price	Lever Throw
4 Pole	1-2 3-4 5-6 7-8	X O O O O O O X O X O O O O X O	Swing Lever	PB3JFH4CF1Q1	\$38.80	60°/60°

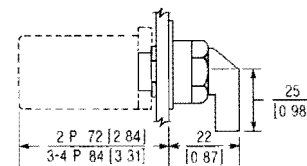
Knob Color Table

Color ^③	Catalog Letter Designation
Non-Illuminated	
Charcoal	H
Light Gray	L
Red	R
Green	G
Yellow	Y
Blue	B
White	W
Orange/Amber	A
Clear	—

Dimensions – Multiple Pole Selector Switches with Rotary Cam-Switches

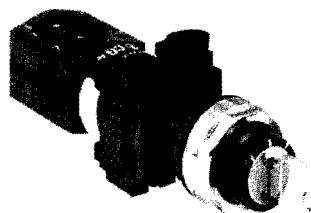


Swing Lever

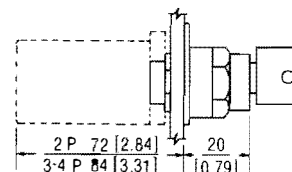


mm (inches)

Ship. Wt. 3.6 oz.



Key Operated



Ship. Wt. 3.6 oz.

③ Key operated switches are available in Charcoal (black) only.



Selector Switches
PB3/PB4 22.5mm NEMA Type 4, 4X, 13
2 and 3 Position — Unassembled Components


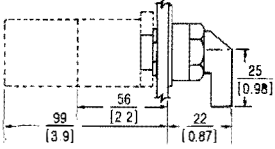

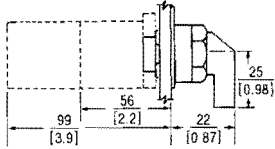
Operators

The Selector Switch Operators shown below are for PB3 operators. For PB4, substitute "PB4" in place of "PB3" in the catalog number listed. Color options are available for both PB3 and PB4. Standard colors for non-


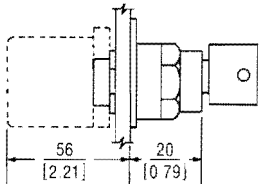
illuminated operators are CHARCOAL (black) for PB3 and GRAY for PB4. For illuminated operators, the standard color is RED. If a different color is required, select the catalog letter from the Knob Color Table and substi-

tute it for the SHADED letter in the catalog number. All Selector Switch Operators listed below will accept up to 2 contact blocks (i.e. 2 circuits). For additional circuits, see Rotary Cam-Switches on page 14.

Selector Switches — 2 Position and 3 Position, Unassembled Operators

Type of Operator	Operating Mode	CAM Code	Catalog Numbers — 2 Position		Catalog Numbers — 3 Position		List Price	Dimensions mm (inches)
			Non-Illuminated	Illuminated	Non-Illuminated	Illuminated		
 PB3JEH1A	Maintained	1	PB3JEH1A	PB3MWR1A	\$14.80	 Ship. Wt. 1.6 oz.
		2	PB3JDH2A	PB3MTR2A	PB3JEH2A	PB3MWR2A	14.80	
	Spring Return Left to Center	1	PB3JSH1A	PB3MUR1A	22.80	
		2	PB3JSH2A	PB3MUR2A	22.80	
	Spring Return Both to Center	1	PB3JYH1A	PB3NBR1A	22.80	
	2	PB3JYH2A	PB3NBR2A	22.80		
 PB3JHH1A	Maintained	1	PB3JHH1A	PB3NYR1A	14.80	 Ship. Wt. 1.6 oz.
		2	PB3JGH2A	PB3NTR2A	PB3JHH2A	PB3NYR2A	14.80	
	Spring Return Left to Center	1	PB3JTH1A	PB3NVR1A	22.80	
		2	PB3JTH2A	PB3NVR2A	22.80	
	Spring Return Both to Center	1	PB3KAH1A	PB3NWR1A	22.80	
	2	PB3KAH2A	PB3NWR2A	22.80		
PB3JQH1A	Spring Return Right to Center	1	PB3JWH1A	PB3NXR1A	22.80	Ship. Wt. 1.6 oz.
		2	PB3JQH2A	PB3NUR2A	PB3JWH2A	PB3NXR2A	22.80	

Selector Switches — 2 Position and 3 Position Key Operated, Unassembled Operators

Operating Mode	2 Position		3 Position		List Price	Dimensions mm (inches)			
	Catalog Numbers	CAM 2	Catalog Numbers	CAM 1 CAM 2					
 PB3KEH2A	Left	PB3KHH1A	PB3KHH2A	\$38.80	 Ship. Wt. 2.7 oz.			
	Center	PB3KEH2A	PB3KJH1A	PB3KJH2A	38.80				
	Right	PB3KFH2A	PB3KKH1A	PB3KKH2A	38.80				
	All	PB3KGH2A	PB3KPH1A	PB3KPH2A	38.80				
	Left & Center	PB3KLH1A	PB3KLH2A	38.80				
	Left & Right	PB3KIH1A	PB3KIH2A	38.80				
	Right & Center	PB3KGH2A	PB3KMH1A	PB3KMH2A	38.80				
PB3KEH2A	Spring Return Key Removal Positions	2 Position Spring Ret. from Right CAM 2	3 Position Spring Return from Right CAM 1 CAM 2		Spring Return from Left CAM 1 CAM 2	Spring Return from Both CAM 1 CAM 2	List Price		
	Left	PB3LWH1A	PB3LWH2A	\$46.80		
	Center	PB3LGH2A	PB3LXH1A	PB3LXH2A	PB3LYH1A	PB3LYH2A	PB3LLH1A	PB3LLH2A	46.80
	Right	PB3LUH2A	PB3LUH2A	46.80
	Left & Center	PB3LJH1A	PB3LJH2A	46.80
	Right & Center	PB3LKH1A	PB3LKH2A	46.80

CAM and Contact Block Selection

Circuit Operation								Contact Block Mounting Position (Viewed from Rear)			Contact Block	
2 Position Cam 2		3 Position							Catalog Number	List Price		
Center	Right	Left	Center	Right	Left	Center	Right					
X	O	O	X	X	O	X	O	N.C.	..	PB3B (N.C.)	\$6.00	
X	O	X	X	O	X	X	O	N.C.		
O	X	X	O	O	X	O	X	N.O.	..	PB3A (N.O.)	6.00	
O	X	O	O	X	O	O	X	N.O.		

Knobs Only, 2 and 3 Position Selector Switches

Style	Catalog Numbers									List Price
	Charcoal	Red	Green	Yellow	Blue	Orange	White	Gray	Clear	
Swing Lever Non-Illuminated	PB3XJH	PB3XJR	PB3XJG	PB3XJY	PB3XJB	PB3XJA	PB3XJW	PB3XJL	\$2.80
Illuminated	PB3WJR	PB3WJG	PB3WJY	PB3WJB	PB3WJA	PB3WJW	PB3WJC	2.80
Knob Non-Illuminated	PB3XKH	PB3XKR	PB3XKG	PB3XKY	PB3XKB	PB3XKA	PB3XKW	PB3XKL	2.80
Illuminated	PB3WKR	PB3WKG	PB3WKY	PB3WKB	PB3WKA	PB3WKW	PB3WKC	2.80

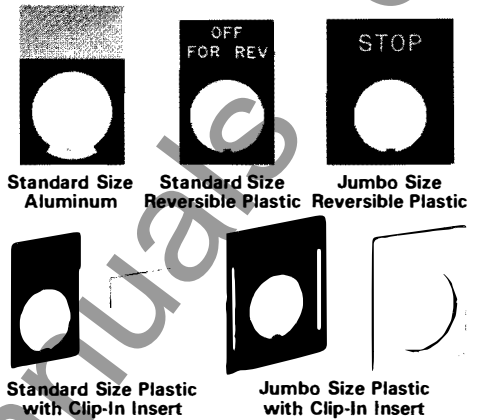
**Pushbuttons
PB3/PB4 22.5mm NEMA Type 4, 4X, 13
Legend Plates**

PB3 legend plates are available in two sizes (Standard and Jumbo) and can be ordered in aluminum or plastic. Plastic legend plates are available in laminated and insert versions.

Aluminum legend plates have a plastisol backing to help prevent rotation of the operator when installed in an unnotched mounting hole. Aluminum legend plates provide a NEMA 4-13 rating.

Plastic legends are available in four background colors provided by two styles that

are reversible (either side can be engraved). Legend plates with clip-in inserts allow for easy field changes because the operator and legend plate do not have to be removed to change the legend. Insert type legend plates provide a NEMA 4-13 rating.



Special Purpose Legend - 70mm

Legend plate style numbers and list prices.

To complete the style number for a legend plate, add the style number suffix desired to the base style number listed below.①

Field Color	Standard 30 mm x 45 mm	Jumbo 40 mm x 45 mm	Legend	Style Number Suffix②	Legend	Style Number Suffix③
	Style Number	Style Number				
Aluminum②						
Black	269P710①	269P712①	Blank	H01	Local — Remote	H95
Red	269P711①	269P713①	Close	H02	Low Speed	H68
Plastic						
Black	269P714①	269P718①	Down	H03	Motor Run	H59
Red	269P715①	269P719①	Fast	H05	Motor Stop	H60
White	269P716①	269P720③	Forward	H07	Off — Auto	H39
Silver	269P717①	269P721③	High	H08	On — Off	H42
Plastic with Clip-in Insert Suitable for Engraving						
Legend Carrier — 1 Required per Insert	4324B57G01	4324B57G02③	In	H09	Off — On	H41
Black	269P722①	269P726①	Inch	H10	Open — Close	H43
Red	269P723①	269P727①	Jog	H11	Open — Off — Close	H84
White	269P724①	269P728①	Low	H13	Power On	H61
Silver	269P725①	269P729①	Lower	H14	Push to Stop Pull to Start	H75
For Push-Pull Operators						
Standard Aluminum						
Legend		Style Number				
Left — Green	Right — Red					
(Blank)②	(Blank)②	269P730H01				
Pull On	Push Off	269P730H42				
Pull Open	Push Close	269P730H43				
Pull Start	Push Stop	269P730H75				
Pull Up	Push Down	269P730H50				

List Price Table — Standard Legends Plates

Type of Legend	Size	List Price
Aluminum	Standard, Jumbo	\$1.20
Plastic — Laminated	Standard, Jumbo	1.20
Plastic — Insert Carrier	Standard, Jumbo	.80
Plastic — Insert	Standard, Jumbo	1.20
Large Yellow Legend Plate	45 mm, 70 mm Round	1.20
Large Yellow Legend Plate Engraved "Emergency Stop"	70 mm Round	5.20

Blackening Kit

Solution blackens aluminum exposed by engraving process. Must be applied immediately after engraving. 2 oz. bottle — sufficient for approximately 750 legend plates.

Catalog No. PB1VV	List Price \$12.00
-------------------	--------------------

Special Purpose Legend Plates —

Type of Legend Plate	Size	Style Number
Round — Yellow	45 mm	269P731①
Round — Yellow	70 mm	269P732①
Round — Yellow: Engraved "Emergency Stop"	70 mm	269P732H04

① Example: For a Standard size Black Aluminum legend plate, engraved "Test", order Style No. 269P710H29.

② When field-engraving aluminum plates, PB1VV Legend Plate Blackening Solution is required.

③ Can not be used on operators with a 40 mm diameter or larger button.



Pushbuttons
PB3/PB4 22.5mm NEMA Type 4, 4x, 13
Legend Plates

Standard legends, listed on the previous page, are based on a standard format using all capital (block form) letters, 1/8 inch in height. Standard legends based on the appropriate format (shown below) are **\$1.20** list.

For **custom legend plates**, including legends with title lines and any legends not listed with the standard legend plates on the preceding page, order by specifying the base style number (e.g. style 269P710 for standard size, black, aluminum), legend description, and the format desired by Figure Number (1-8) from the list below. Custom legend plates are **\$5.20** list each.



Standard Legend
Style 269P714H82

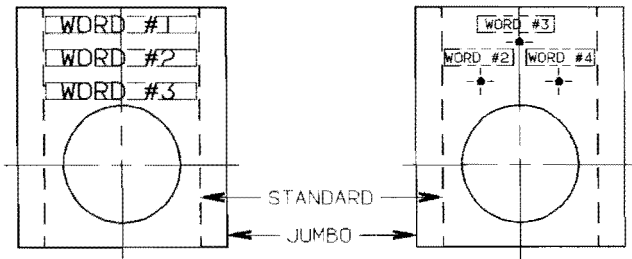


Figure — 1

Figure — 2

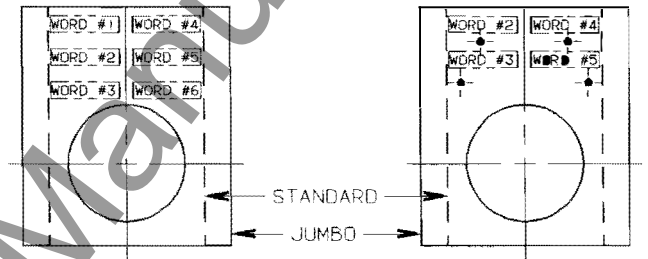


Figure — 3

Figure — 4

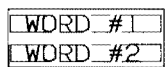


Figure — 5
(Standard Insert)

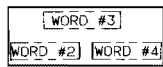


Figure — 6
(Standard Insert)

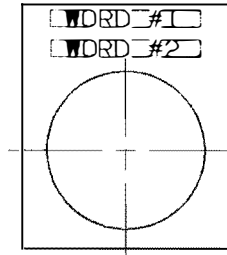


Figure — 7
(Jumbo Insert)

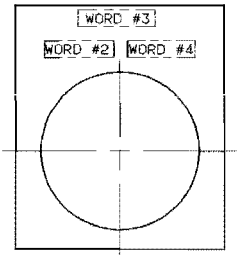


Figure — 8
(Jumbo Insert)

Insert Legends

For Insert Type Indicating Lights (PB3HI...). Order by style number, at **\$1.20** list, along with the catalog number of the desired Insert Indicating Light.



PB3HIR with Insert
Legend 269P735H21

How to Order: These special legends are for use with any of the Insert-type indicating lights shown on page 11. To order, specify the desired legend by style number when ordering the Insert Indicating Light. Example: PB3HIR with 269P733H21 (Rev) legend. Custom legends are available (based on fit) at **\$5.20** list each.

Insert Legends – Style Numbers and List Prices


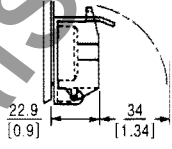

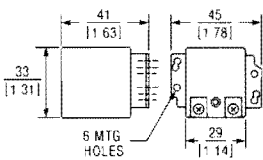


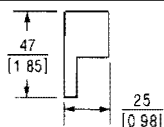

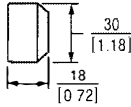


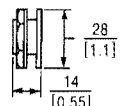
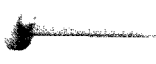
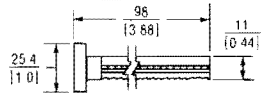
Legend	Style Number	Legend	Style Number	List Price
Blank	269P735H01	Up	269P735H30	\$1.20
For	269P735H07	Off	269P735H15	1.20
Rev	269P735H21	On	269P735H16	1.20
Close	269P735H02	Start	269P735H27	1.20
Open	269P735H69	Stop	269P735H28	1.20
Inch	269P735H10	Ready	269P735H19	1.20
Jog	269P735H11	Run	269P735H23	1.20
Reset	269P735H20			1.20

Further Information

Selling Policy 7000
Accessories, Pages 18, 19
Indicating Lights, Insert-Type, Page 11
Discount Symbol C10-S6


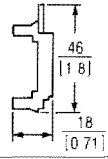

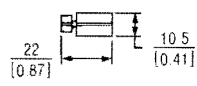



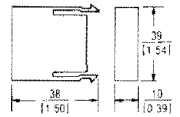

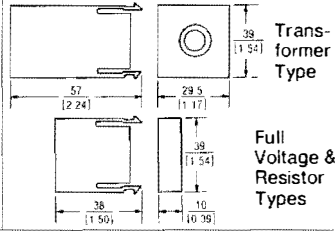
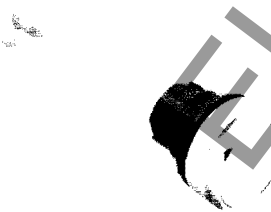
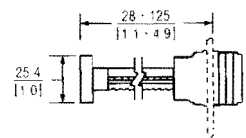

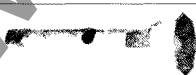


Pushbuttons, Selector Switches, Indicating Lites
Type PB3/PB4 22.5mm NEMA Type 4, 4X, 13
Accessories

	Description	Catalog Number	List Price	Dimensions mm (in.)
Padlock Attachments				
	Padlockable Transparent Cover — Suitable for use with 25 mm Flush and Extended Pushbutton operators only.	PB3PU	\$12.00	
	Padlockable Transparent Cover — Suitable for use with 25 mm Extended Pushbutton operators only. Enables NC circuit to be held open. These padlock attachments are for use with 1/4 inch diameter shackle to deter unauthorized operation of magnetic controllers.	PB3PV	12.00	
Special Transformers				
	Master Test (Dual Input) Module — Internal Form C relay suitable for ac applications. Total electrical isolation between monitored and test circuit. Remote panel mounted. 1 required for each illuminated device used.	PB3MT2 PB3MT1	\$32.50 32.50	
	24 V 120 V			
	Flasher Module — Changes any ac illuminated device to a controlled flashing light. Remote panel mounted. 1 required for each illuminated device used.	PB3FL2 PB3FL1	\$32.50 32.50	
	24 V 120 V			
Shroud				
	Mushroom Shroud — Protects against inadvertent operation. Chrome plated brass. Suitable for all operators up to 40 mm Diameter	PB3XT	\$20.00	
Adapter Kit				
	Enables 22.5 mm operator to be mounted in a 30.5 mm mounting hole	PB3ARK	\$ 4.00	
Rubber Boots				
Rubber boots can be used to exclude dust, water and ice. Meets NEMA 4 requirements with PB3 when used with Stainless Steel NEMA 4 enclosure and NEMA 4X requirements with PB4 when used with non-metallic, corrosion resistant NEMA 4X enclosure.				
	Protective Boot — Silicon Rubber. For use with 25 mm Diameter Flush and Extended pushbutton operators only —	PB3PRR PB3PRG PB3PRK PB3PRC	\$ 8.00	
	Red Green Black Clear			
Spare Key				
	For key operated devices — Standard Lock	PB3VY2 PB3VY3 PB3VY4	\$ 4.00	Note: Key operated pushbuttons and selector switches are available with non-standard keys and locks. Spare keys are available for both standard and non-standard locks.
	Non-Std. Lock. Non-Std. Lock.			
Hole Plug				
	Black nylon oil and watertight seal for unused panel holes — NEMA 4-13	PB3YT	\$ 6.00	
Mechanical Push Rod				
	For use with all non-illuminated pushbutton and momentary mushroom head operators. Suitable for external mechanical reset of overload relays. Must be cut to proper length	PB3MRL	\$ 8.80	
Legend Plate Blackening Solution				
Size 2 fluid ounces	Darkens newly engraved characters.	PB1VV	\$12.00	


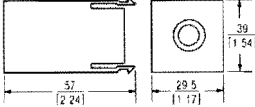

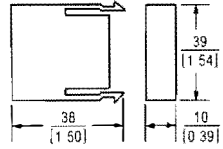


Pushbuttons, Selector Switches, Indicating, Lites
Type PB3/PB4 22.5mm NEMA Type 4, 4X, 13
Accessories

	Description	Catalog Number	List Price	Dimensions mm (in.)	
	Supplied as standard with operators. Provides contact block and light unit mounting. Order for replacement or to retrofit new contact blocks to existing PB3 operators.	PB3BA1	\$ 1.20		
	Must be inserted into rear of momentary action pushbutton and mushroom head operators when 3rd Contact Block is installed in center position. Not to be used with maintained action or illuminated operators. Minimum order quantity 10 pieces	PB3BA2	\$ 0.80		
	Provides additional anti-rotation features when using optional panel mounting hole notch.	PB3XX	No Charge		
	For easy installation of wired connections. 300 V clearance. Minimum order quantity 10 pieces	PB3AT	\$ 0.40		
	300 V clearance — 1 NO 1 NC 1 NO Early Make 1 NC Late Break	PB3AF PB3BF PB3CF PB3DF	\$ 8.00 8.00 8.00 8.00		
	300 V clearance Transformer Type ac Only — 120/110 V, 60/50 Hz Resistor/Diode ac 120/110 V Full Voltage ac/dc 24 V Without Bulb	PB3T1F PB3R1F PB3V3F PB3VF	\$34.00 26.00 26.00 24.00		
	Suitable for external mechanical reset of overload relays. Push rod must be cut to desired length.	PB3 Type 4-13 Gray Blue Red PB4 Type 4X-13 Gray Blue Red	PB3PL PB3PB PB3PR PB4PL PB4PB PB4PR	\$19.60 19.60 19.60 19.60 19.60 19.60	
	Used to install or replace lamps. Fits both miniature bayonet and candelabra lamps.	PB3XA	\$ 2.00		
	Used to tighten octagonal clamp rings. Wrench is double ended for both PB3/PB4 (miniature) and PB1/PB2 (standard size) clamp rings.	PB3XQ	\$36.00		

Pushbuttons
Type PB3/PB4 22.5mm NEMA 4, 4X, 13
Contact Blocks and Light Units

Light Units — Components

Type	Overall Dimensions mm (In.)	Description	Supply Voltage		Catalog Number	List Price	Replacement Lamp — T3/4 Bayonet Base								
			60 Hz	50 Hz			Volts	Watts	Style Number	List Price					
 Transformer	 Ship Wt. 3.3 oz.	Transformer Ac Only	120	110	PB3T1	\$32.00	6	0.9	4324B40G32	\$ 2.20					
			240	220	PB3T2	32.00	6	0.9	4324B40G32	2.20					
			...	380/415	PB3T13	32.00	6	0.9	4324B40G32	2.20					
			480	440	PB3T3	32.00	6	0.9	4324B40G32	2.20					
 Full Voltage	 Ship. Wt. 0.5 oz.	Resistor/Diode Ac Only	120	110	PB3R1	24.00	60	1.2	4324B40G36	2.20					
		Full Voltage Ac/Dc	6	PB3V1	24.20	6	0.9	4324B40G32	2.20						
			12	PB3V2	24.20	12	1.2	4324B40G33	2.20						
			24	PB3V3	24.20	24	1.2	4324B40G34	2.20						
			48/50	PB3V5	24.20	48	1.0	4324B40G35	2.20						
			60	PB3V6	24.20	60	1.2	4324B40G36	2.20						
			Unit w/o Lamp	PB3V7	22.00						
		Neon ^① Ac Only	120	110	PB3N1	35.00	110	0.3	4324B40G37	13.00					
			240	220	PB3N2	35.00	220	0.6	4324B40G38	13.00					
		LED ^② Full Voltage						LED Color							
								6 ac/dc	PB3V1R			38.20	Red	4324B40G39	16.20
								6 ac/dc	PB3V1G			38.20	Green	4324B40G40	16.20
								6 ac/dc	PB3V1Y			38.20	Yellow	4324B40G41	16.20
12 ac/dc	PB3V2R							38.20	Red			4324B40G42	16.20		
12 ac/dc	PB3V2G							38.20	Green			4324B40G43	16.20		
12 ac/dc	PB3V2Y							38.20	Yellow			4324B40G44	16.20		
24 ac/dc	PB3V3R							38.20	Red			4324B40G45	16.20		
24 ac/dc	PB3V3G							38.20	Green			4324B40G46	16.20		
24 ac/dc	PB3V3Y							38.20	Yellow			4324B40G47	16.20		
120 ac	PB3V7R	38.20	Red	4324B40G48	16.20										
120 ac	PB3V7G	38.20	Green	4324B40G49	16.20										
120 ac	PB3V7Y	38.20	Yellow	4324B40G50	16.20										

① Recommended for use with clear, amber, or yellow illuminated operators.

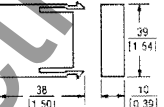
② Recommended for use with clear or matching color illuminated operators.

Contact Blocks — Up to 3 blocks (i.e. circuits) can be used with momentary pushbuttons and mushroom head operators. If a contact block is used in the Center mounting position, an Operator Plug, Cat. No. PB3BA2, must be

installed. Up to 2 contact blocks (using Right and Left mounting positions) may be used on Twist-Release and Key Operated pushbuttons, push/pull operators, and all selector switches. When used with illuminated operators,

contact blocks must be mounted on the Right or Left of Full Voltage Light Units or behind Transformer Light Units, a maximum of two in either case.



Description	Catalog Number	List Price	Dimensions mm (In.)
1 NC	PB3B	\$6.00	
1 NO	PB3A	6.00	
1 NO Early Make	PB3C	6.00	
1 NC Late Break	PB3D	6.00	
Operator Plug	PB3BA2	0.80	

Contact Block

Contact Ratings

UL Designation	Voltage	Make (Amps)	Break (Amps)	Continuous Current (Amps)
A600	120VAC	60	6.0	10
	240VAC	30	3.0	10
	480VAC	15	1.5	10
	600VAC	12	1.2	10
Q600	125VAC	0.55	0.55	2.5
	250VAC	0.27	0.27	2.5
	440VAC	0.10	0.10	2.5
	600VAC	0.10	0.10	2.5

Panel Layout — Minimum Spacing

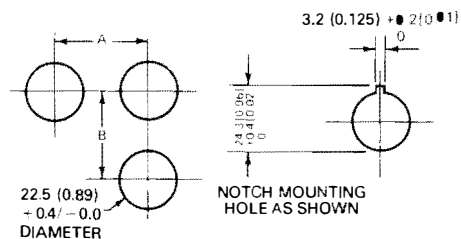
Operator	Dimensions in mm (in.)	
	A	B
Operators up to 30 mm (1.18 in.) Dia. including Knob and Key Operated Selector Switches	30 (1.18)	50 (1.97)
Lever Operated Selector Switches and all 40 mm (1.57) Dia. Operators	45 (1.77)	50 (1.97)
30 – 40 mm (1.18 – 1.57) Dia. Operators	45 (1.77)	50 (1.97)
50 mm (1.97 in.) Dia. Operators	55 (2.16)	55 (2.16)
70 mm Dia. Yellow Round Legend Plate	75 (2.95)	75 (2.95)
Pushbutton Operators with Rubber Boots or Padlockable Cover	35 (1.38)	50 (1.97)

Panel Thickness

Nominal Panel Thickness with sealing washer installed is 6.8 mm (0.27 in.). Installation of some accessories will reduce panel thickness as indicated. Minimum panel thickness is 1 mm (0.04 in.). To determine maximum panel thickness, deduct the dimension (as listed in the table on the right) from 6.8 mm (or 0.27 in.) based on the accessory being used.

Panel Layout in mm (inches)

Not to be used for construction purposes unless approved.



Accessories	Deduct Dimension Listed Below
Legend Plates — Aluminum or Plastic	1.25 mm (0.049 in.)
Locating Ring	1.50 mm (0.058 in.)
Large Yellow Round Legend Plate	1.00 mm (0.039 in.)
Padlockable Cover	1.60 mm (0.063 in.)
Rubber Boot	1.30 mm (0.051 in.)