

**Recommended
Temporary
Ground Sets
for RUS Type
Distribution
and
Subtransmission
Construction**



POWER SYSTEMS, INC.

CHANCE

Hubbell / Chance
210 North Allen Street
Centralia, MO USA 65240
(573) 682-5521

Bulletin 9-8801
Rev. 9/02

Simplified Equipment Selection

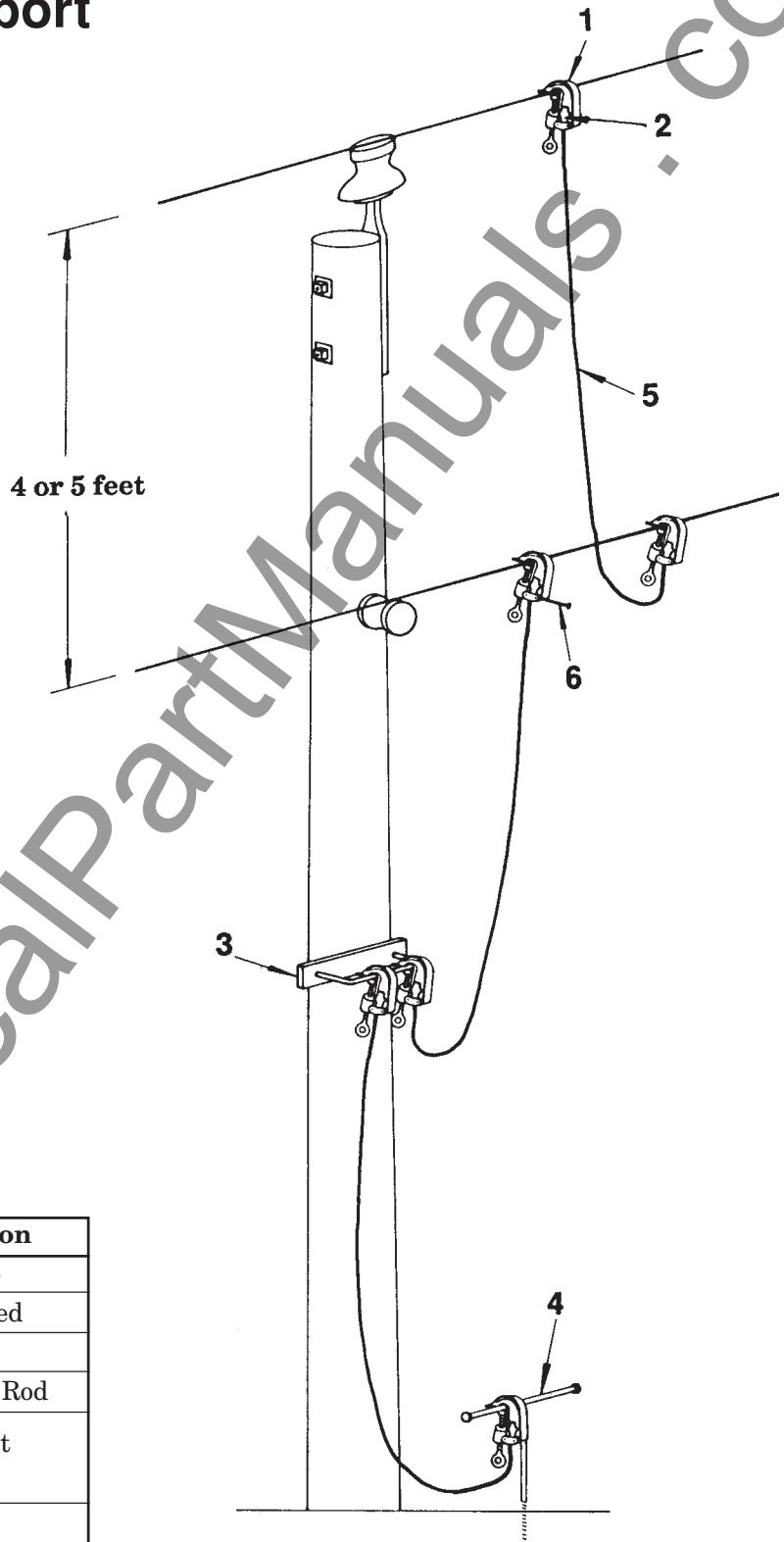
This booklet was prepared to assist electric utilities in selecting the proper ground clamps for various types of distribution and subtransmission structures. The grounding sets shown can be used as a guide to:

1. Order a complete set, *using a single catalog number*, for temporarily grounding a specific structure or . . .
2. Use the bill of material listing to determine what additional grounding equipment is required to complete the tools needed to work on a specific structure.

Index to Ground Sets in this Guide

Structure Type	Page No.
A1 Single-Primary Support	3
A5-4 Single-Phase Deadend	4
C1 (Delta - no Neutral) Three-Phase Crossarm/Pins	5
C1 (Grounded Wye) Three-Phase Crossarm/Pins	6
TD-3 (Delta - no Neutral) Three-Phase Crossarm/Posts	7
C3 Three-Phase Running Corner (10° - 20°)	8
C4-1 Three-Phase Angle (60°-90°)	9
TS-1 Three-Phase Suspension	10
TS-2 Three-Phase Wishbone Suspension	11
TH-1 H-Frame Suspension	12

Single-Phase Single Primary Support



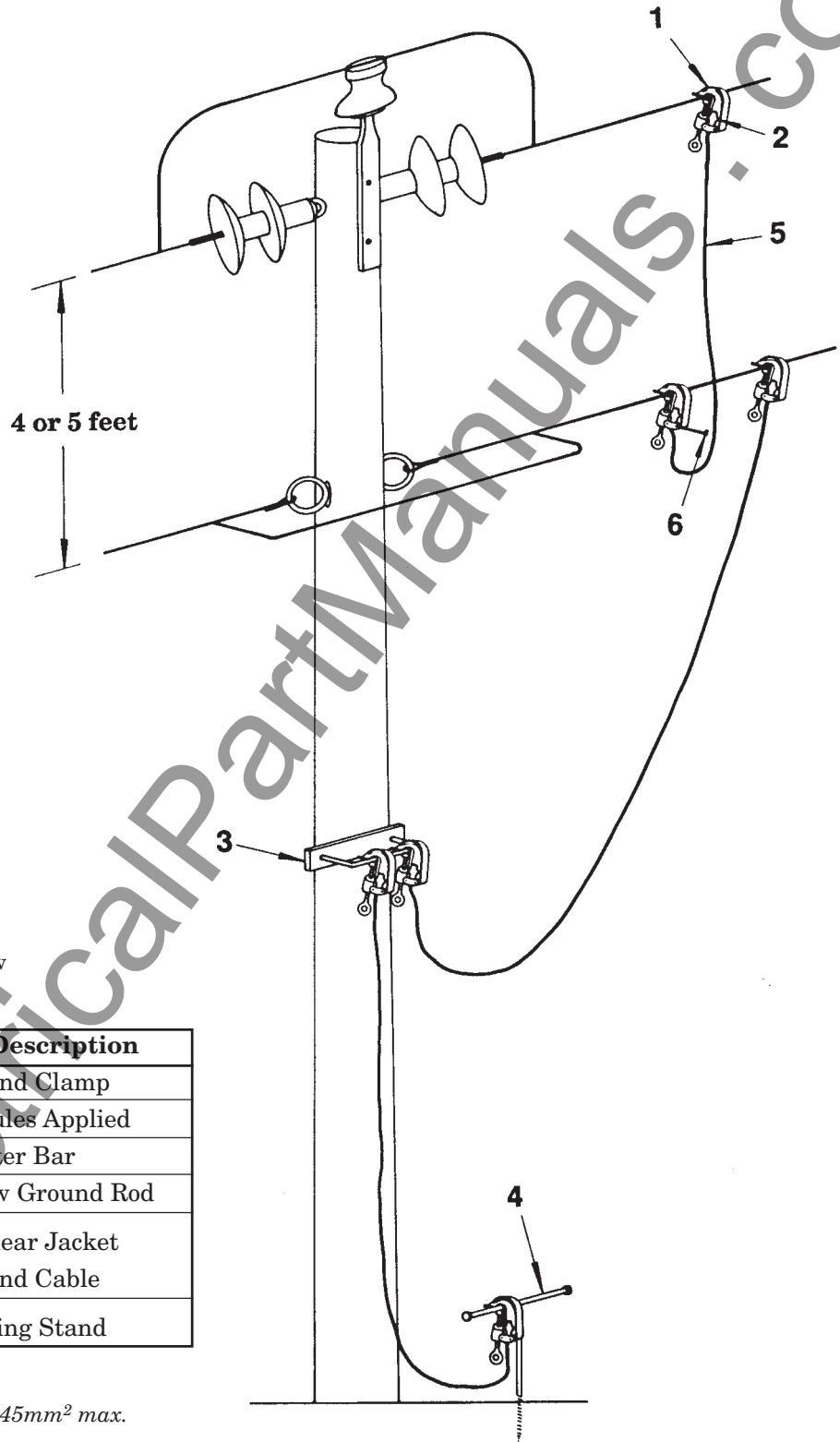
Complete Set
includes all items below

Item	Qty.	Catalog No.	Description
1	6	*C600-2276	Ground Clamp
2	6	C600-2626	Ferrules Applied
3	1	T600-1549	Cluster Bar
4	1	G3370	Screw Ground Rod
5	42'	S6449	#2 Clear Jacket
	(1 @ 30' & 2 @ 6')		Ground Cable
6	1	G3626	Parking Stand

*Conductor Range
0.128" or 8mm² min.
through 1.25" or 806.45mm² max.

**STRUCTURE
TYPE** **A1**

Single-Phase Deadend



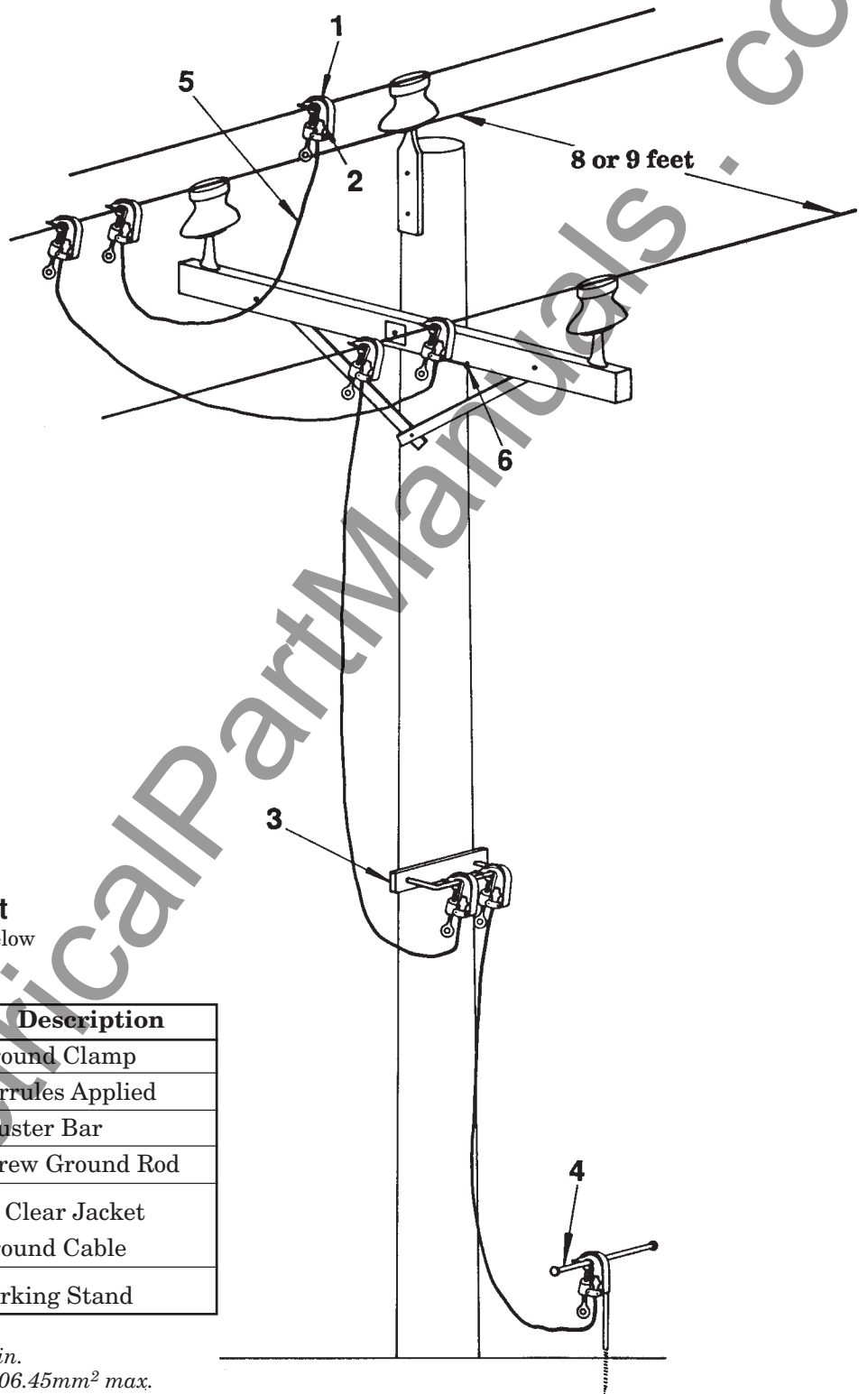
Complete Set
includes all items below

Item	Qty.	Catalog No.	Description
1	6	*C600-2276	Ground Clamp
2	6	C600-2626	Ferrules Applied
3	1	T600-1549	Cluster Bar
4	1	G3370	Screw Ground Rod
5	42' (1 @ 30' & 2 @ 6')	S6449	#2 Clear Jacket Ground Cable
6	1	G3626	Parking Stand

*Conductor Range
0.128" or 8mm² min.
through 1.25" or 806.45mm² max.

**STRUCTURE
TYPE A5-3**

Three-Phase Delta, Pin Type Insulators



Complete Set
includes all items below

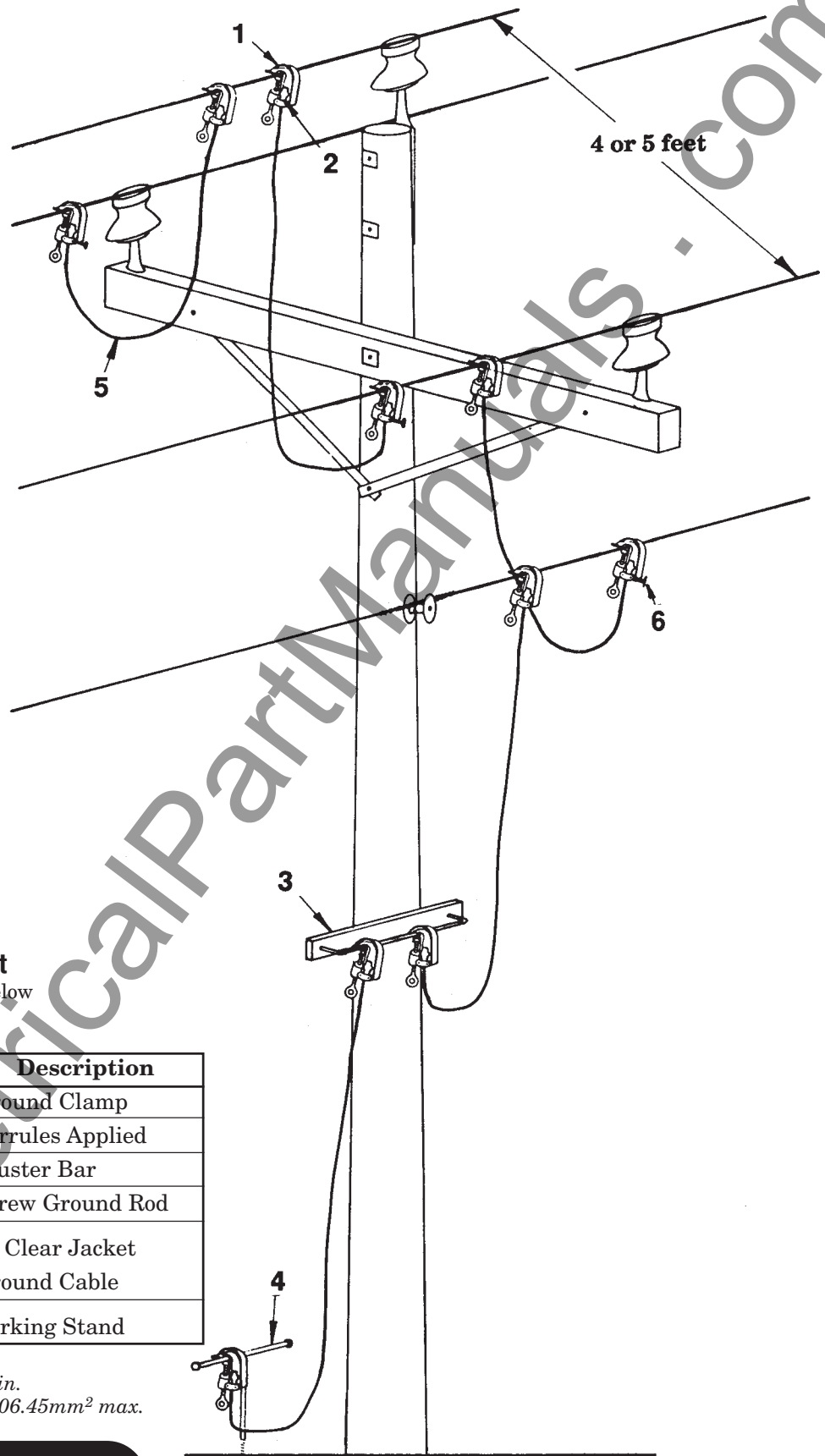
Item	Qty.	Catalog No.	Description
1	8	*C600-2276	Ground Clamp
2	8	C600-2626	Ferrules Applied
3	1	T600-1549	Cluster Bar
4	1	G3370	Screw Ground Rod
5	56'	S6449	#2 Clear Jacket
	(1 @ 6') (2 @ 10') (1 @ 30')		Ground Cable
6	2	G3626	Parking Stand

*Conductor Range
0.128" or 8mm² min.
through 1.25" or 806.45mm² max.

**STRUCTURE
TYPE**

C1

Three-Phase Wye, Pin Type Insulators



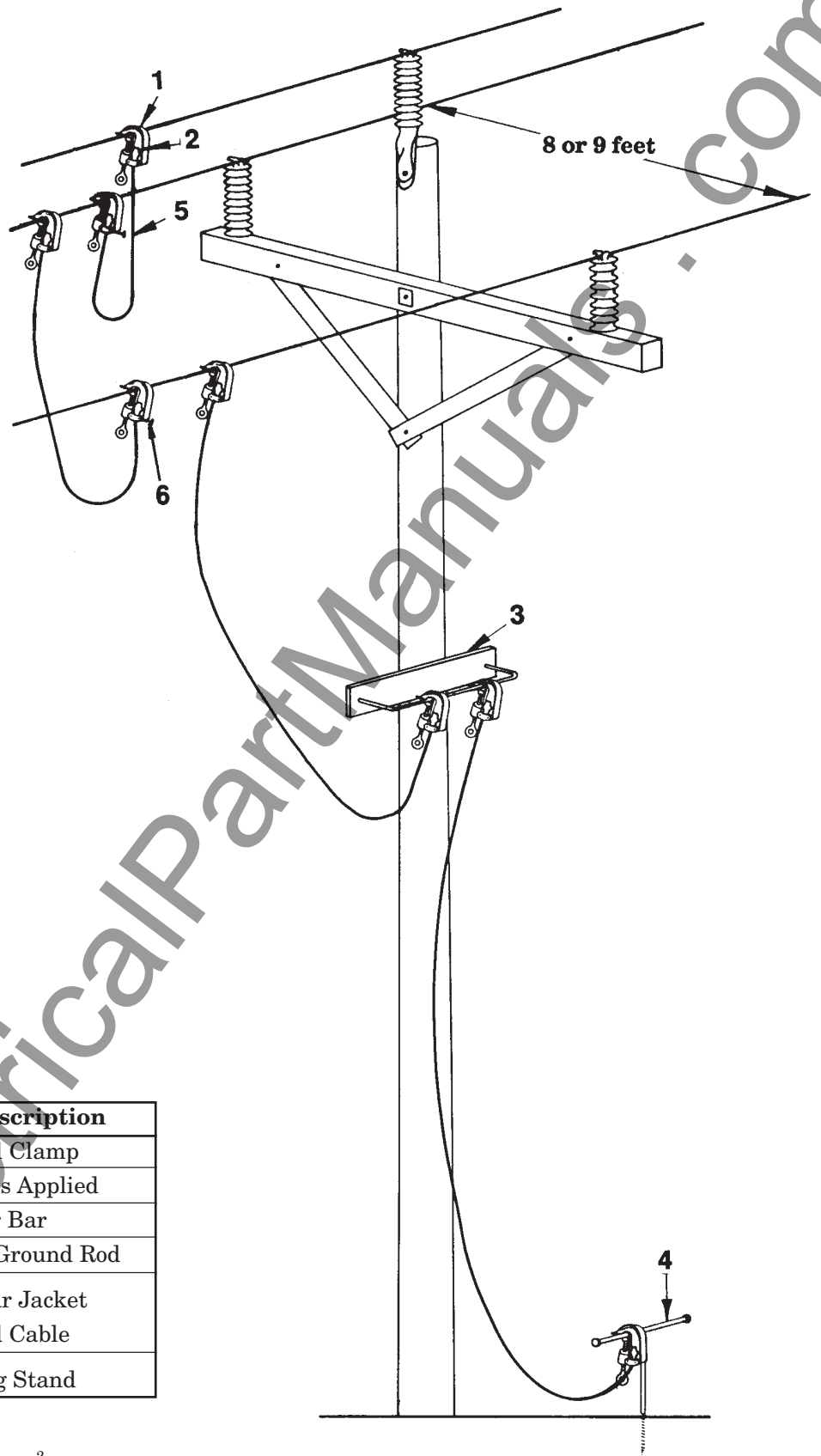
Complete Set
includes all items below

Item	Qty.	Catalog No.	Description
1	10	*C600-2276	Ground Clamp
2	10	C600-2626	Ferrules Applied
3	1	T600-1549	Cluster Bar
4	1	G3370	Screw Ground Rod
5	58' (3 @ 6') (1 @ 10') (1 @ 30')	S6449	#2 Clear Jacket Ground Cable
6	3	G3626	Parking Stand

*Conductor Range
0.128" or 8mm² min.
through 1.25" or 806.45mm² max.

**STRUCTURE
TYPE** **C1**

Three-Phase Delta, Post Type Insulators



Complete Set
includes all items below

Item	Qty.	Catalog No.	Description
1	8	*C600-2276	Ground Clamp
2	8	C600-2626	Ferrules Applied
3	1	T600-1549	Cluster Bar
4	1	G3370	Screw Ground Rod
5	56'	S6449	#2 Clear Jacket
	(1 @ 6') (2 @ 10') (1 @ 30')		Ground Cable
6	2	G3626	Parking Stand

*Conductor Range
0.128" or 8mm² min.
through 1.25" or 806.45mm² max.

**STRUCTURE
TYPE**

TD-3

Three-Phase Running Corner 10°-20° Angle

4 or 5 feet

Complete Set
includes all items below

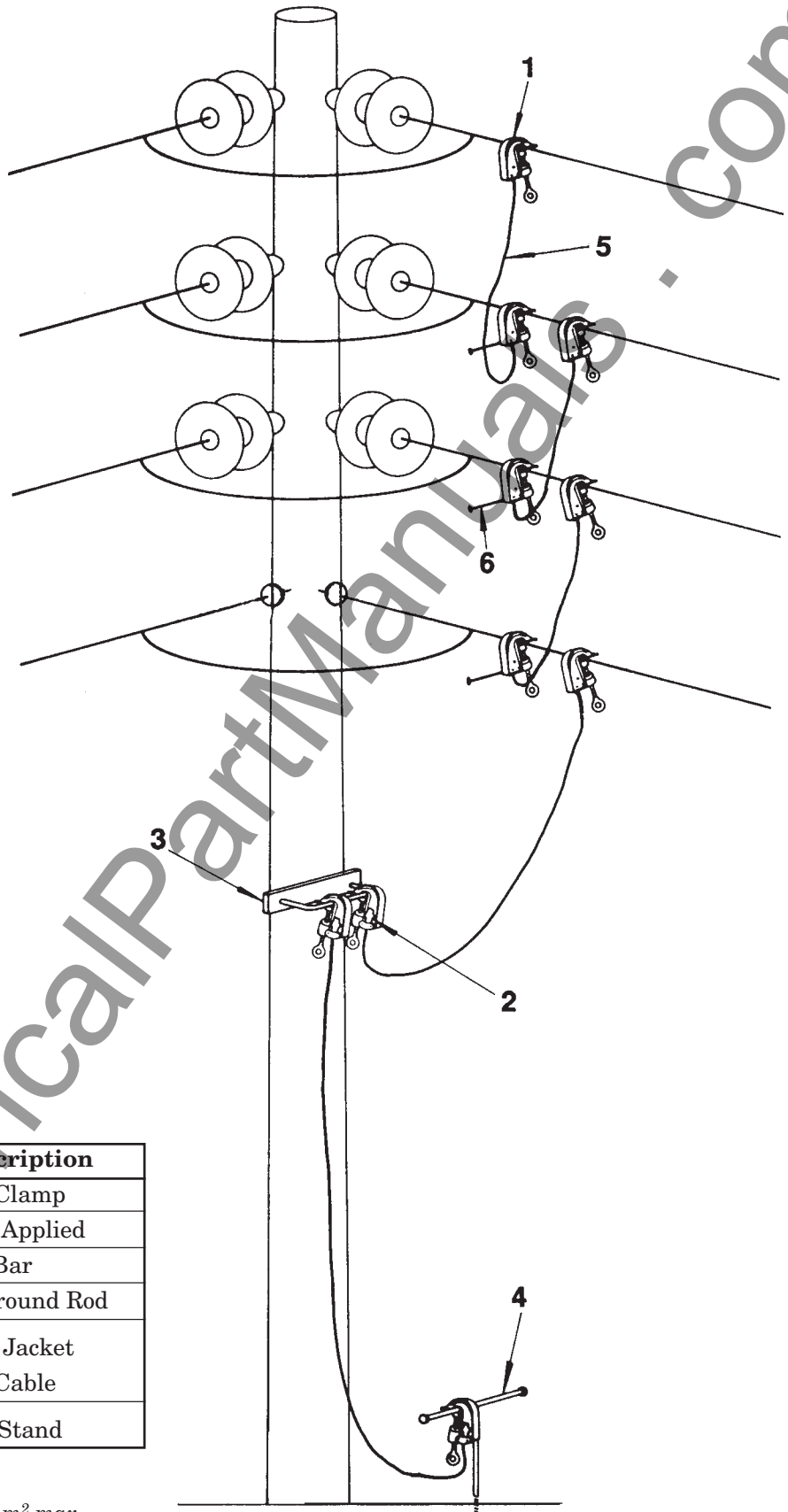
Item	Qty.	Catalog No.	Description
1	10	*C600-2276	Ground Clamp
2	10	C600-2626	Ferrules Applied
3	1	T600-1549	Cluster Bar
4	1	G3370	Screw Ground Rod
5	58'	S6449	#2 Clear Jacket
	(3 @ 6') (1 @ 10') (1 @ 30')		Ground Cable
6	3	G3626	Parking Stand

*Conductor Range
0.128" or 8mm² min.
through 1.25" or 806.45mm² max.

**STRUCTURE
TYPE** **C3**

Vertical Construction 60°-90° Angle

4 or 5 feet



Complete Set
includes all items below

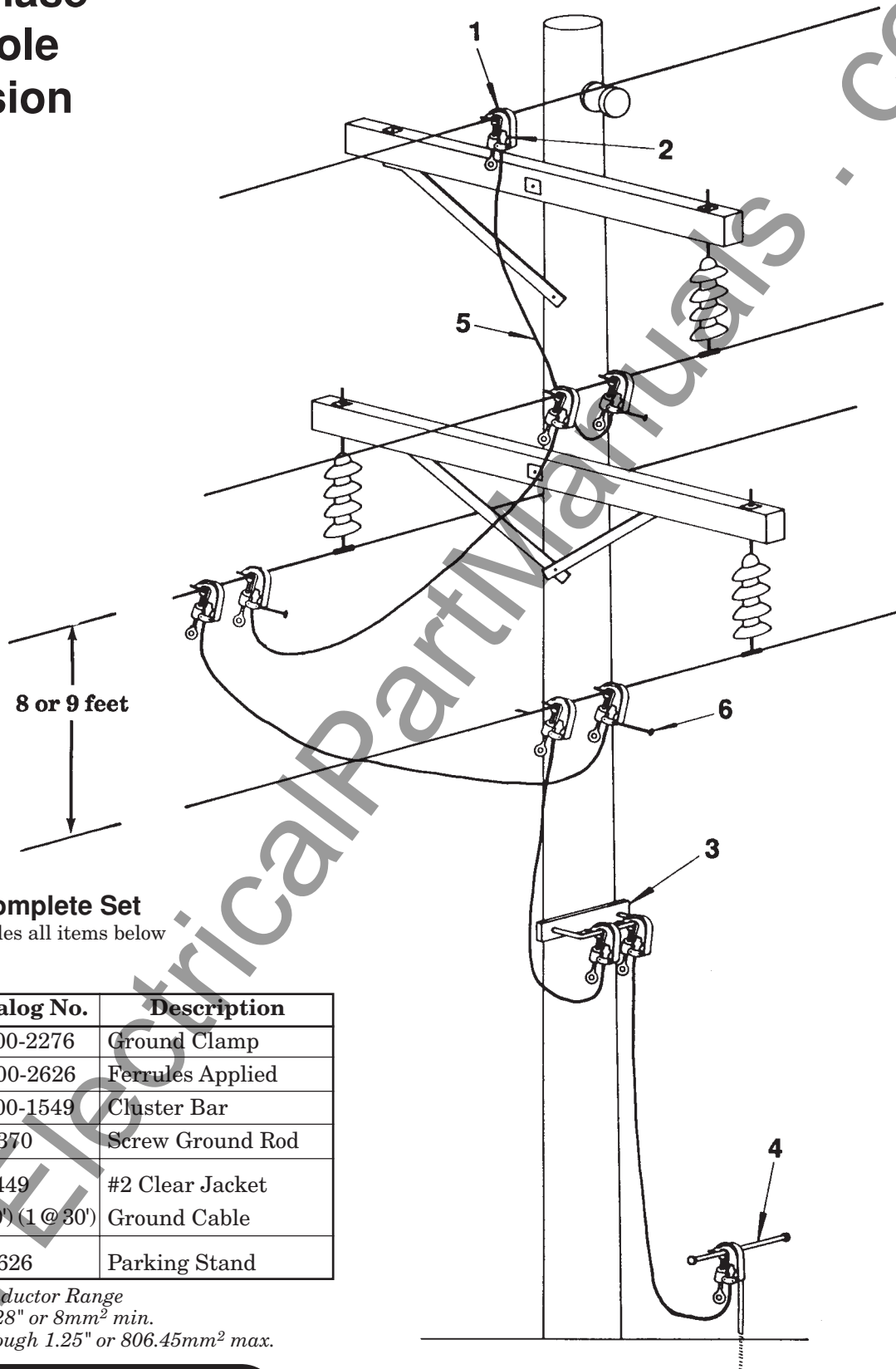
Item	Qty.	Catalog No.	Description
1	10	*C600-2276	Ground Clamp
2	10	C600-2626	Ferrules Applied
3	1	T600-1549	Cluster Bar
4	1	G3370	Screw Ground Rod
5	58' (3 @ 6') (1 @ 10') (1 @ 30')	S6449	#2 Clear Jacket Ground Cable
6	3	G3626	Parking Stand

*Conductor Range
0.128" or 8mm² min.
through 1.25" or 806.45mm² max.

**STRUCTURE
TYPE**

C4-1

Three-Phase Single Pole Suspension



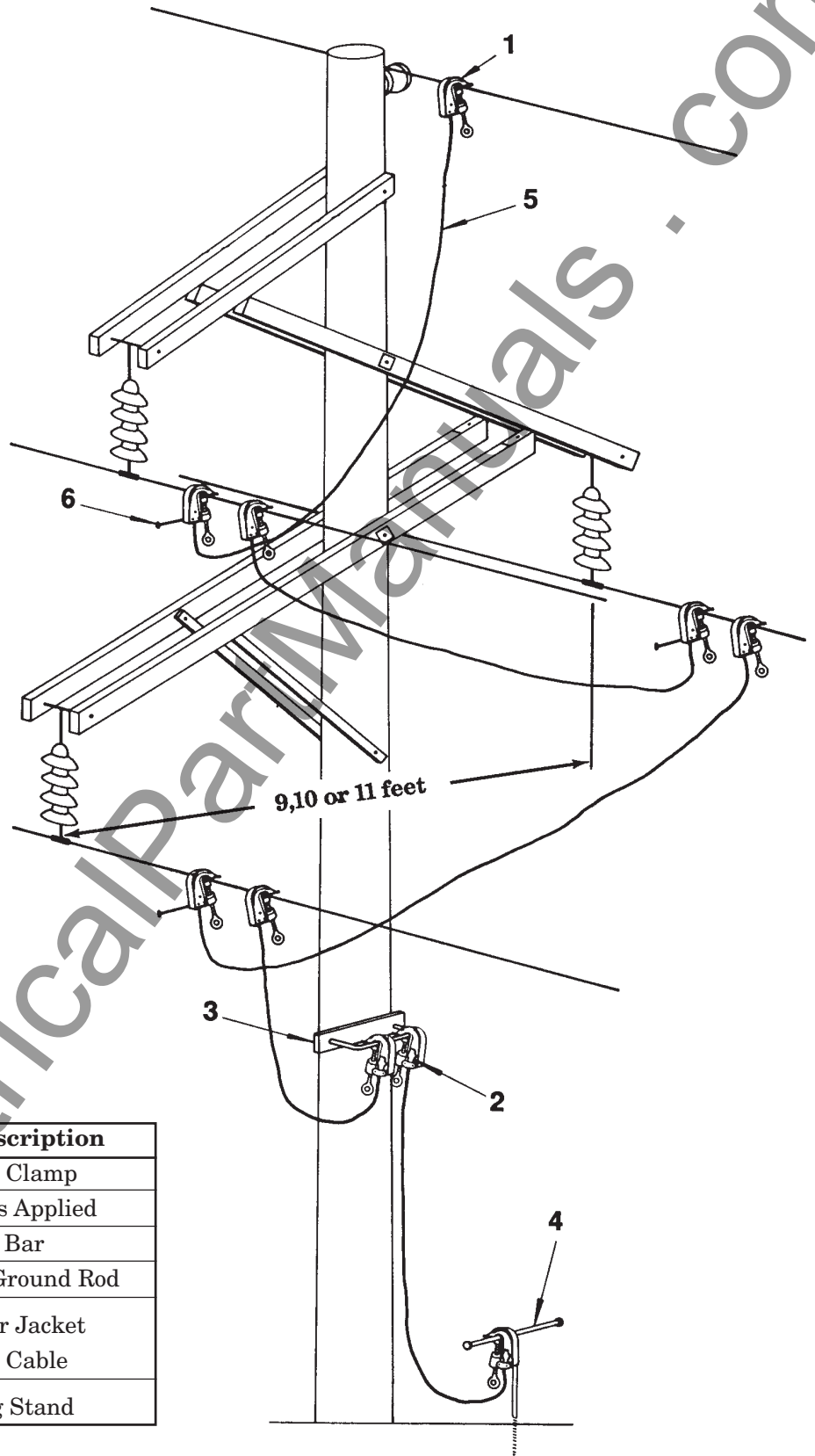
Complete Set
includes all items below

Item	Qty.	Catalog No.	Description
1	10	*C600-2276	Ground Clamp
2	10	C600-2626	Ferrules Applied
3	1	T600-1549	Cluster Bar
4	1	G3370	Screw Ground Rod
5	66' (1 @ 6') (3 @ 10') (1 @ 30')	S6449	#2 Clear Jacket Ground Cable
6	3	G3626	Parking Stand

**Conductor Range
0.128" or 8mm² min.
through 1.25" or 806.45mm² max.*

**STRUCTURE
TYPE TS-1**

Single Pole Wishbone Suspension



Complete Set
includes all items below

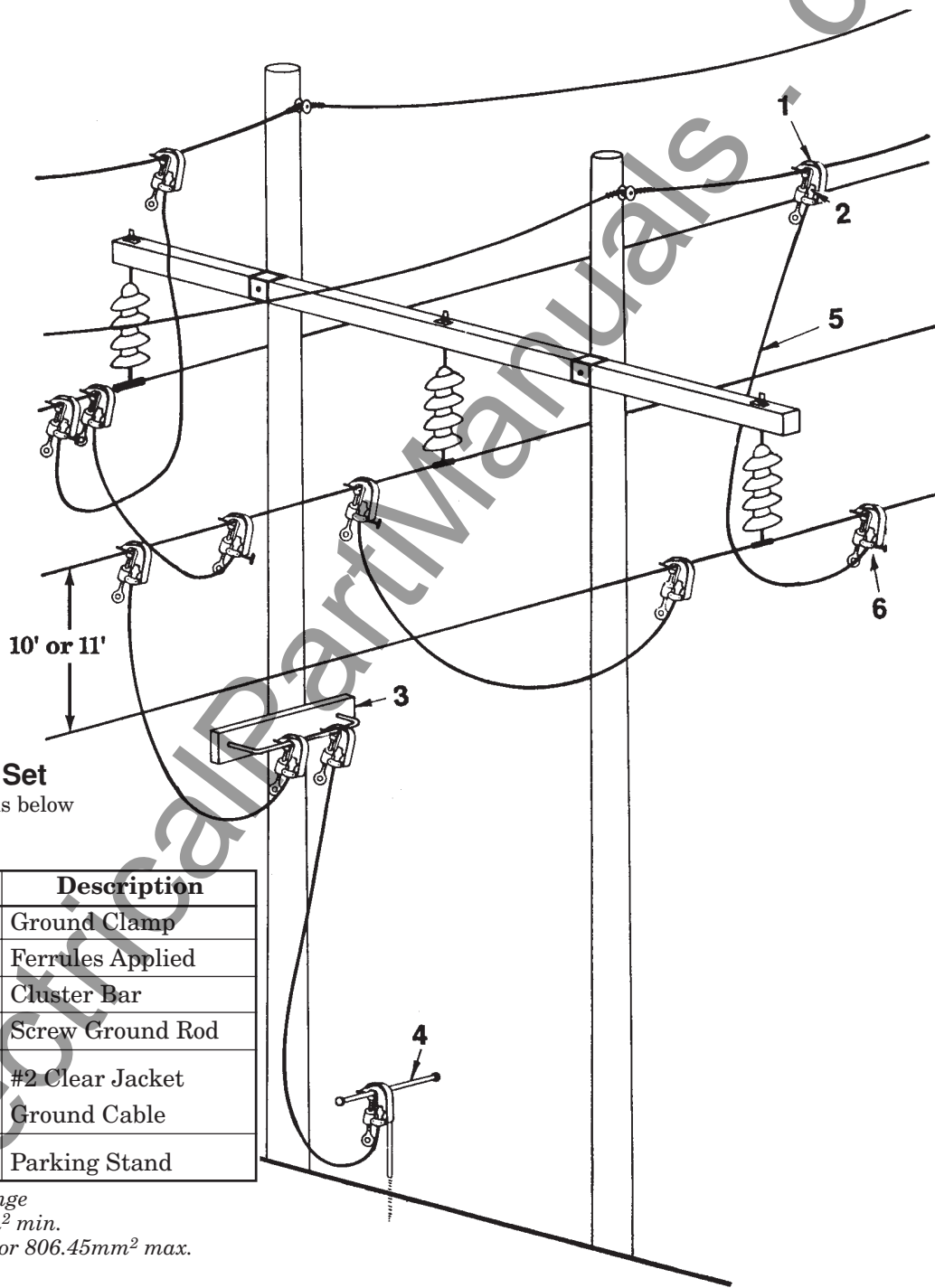
Item	Qty.	Catalog No.	Description
1	10	*C600-2276	Ground Clamp
2	10	C600-2626	Ferrules Applied
3	1	T600-1549	Cluster Bar
4	1	G3370	Screw Ground Rod
5	78' (4 @ 12' & 1 @ 30')	S6449	#2 Clear Jacket Ground Cable
6	3	G3626	Parking Stand

*Conductor Range
0.128" or 8mm² min.
through 1.25" or 806.45mm² max.

**STRUCTURE
TYPE**

TS-2

H-Frame Suspension



Complete Set
includes all items below

Item	Qty.	Catalog No.	Description
1	12	*C600-2276	Ground Clamp
2	12	C600-2626	Ferrules Applied
3	1	T600-1549	Cluster Bar
4	1	G3370	Screw Ground Rod
5	86'	S6449	#2 Clear Jacket
	(3 @ 12') (2 @ 10') (1 @ 30')		Ground Cable
6	3	G3626	Parking Stand

*Conductor Range
0.128" or 8mm² min.
through 1.25" or 806.45mm² max.

**STRUCTURE
TYPE**

TH-1

NOTE: Because Hubbell has a policy of continuous product improvement, we reserve the right to change design and specifications without notice.

©2004 Hubbell
Printed in USA RGS 5M - 9/02