

SIEMENS

Series 5600 Motor Control Center Starter and Feeder Retrofit Program

Application and Pricing Guide

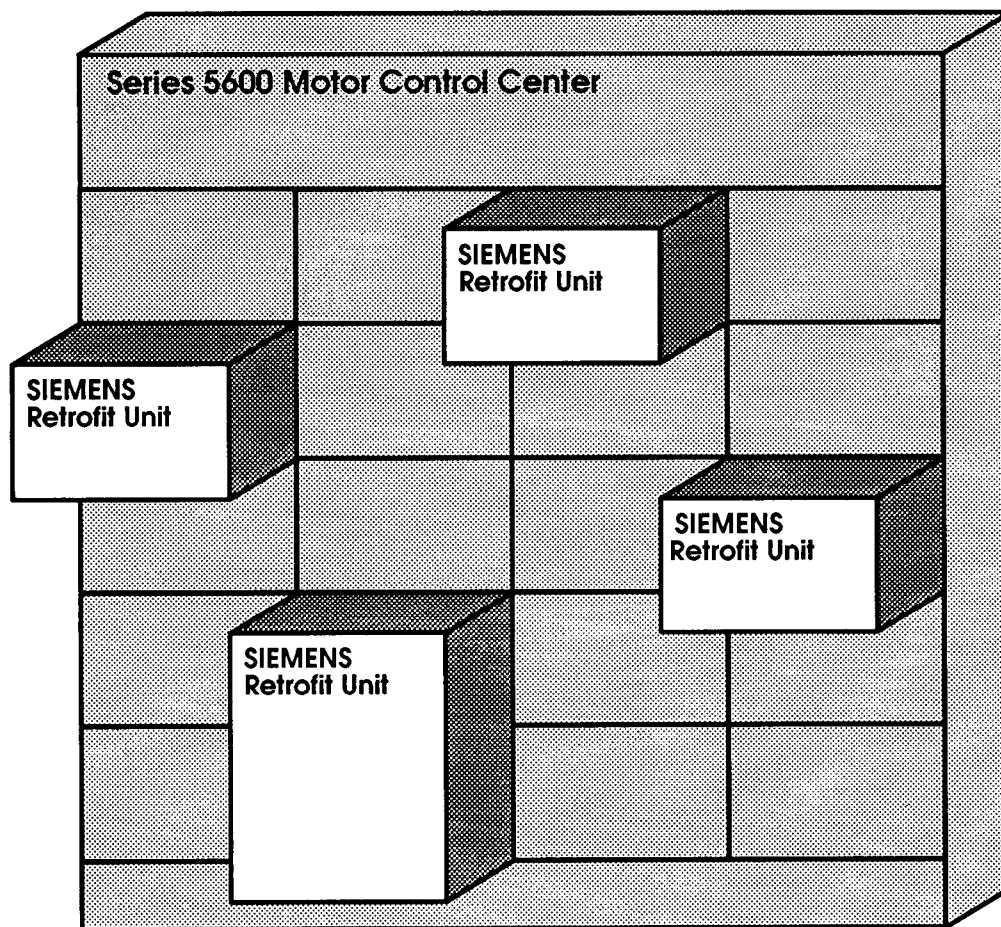


Table of Contents

General Information

| | |
|------------------------------|---|
| History of Series 5600 | 2 |
| Introduction | 2 |
| Scope of Offering | 2 |
| Pricing and Delivery | 2 |
| Order Entry Details | 2 |
| Submittal Package | 2 |
| Customer Service | 2 |

Unit Descriptions

| | |
|----------------------------|-----|
| Industry Standards | 3 |
| Steel and Coating | 3 |
| Disconnect Operators | 3 |
| Stab Assembly | 3 |
| Unit Support Shelves | 3 |
| Nameplates | 3 |
| Feeder Units | 3 |
| Starter Units | 3-4 |
| Technical Data | 4 |
| Installation | 5 |

Pricing Tables

| | |
|-------------------------------|---|
| Starter Catalog Numbers | 6 |
| Order Entry Form | 7 |

| | |
|--------------------------------|-------|
| Starters - Breaker Combination | |
| 575 Volt Applications | 8-11 |
| 460 Volt Applications | 12-15 |
| 230 Volt applications | 16-19 |
| 208 Volt Applications | 20-23 |

Starters - Fusible Combination

| | |
|-----------------------------|-------|
| 575 Volt Applications | 24-27 |
| 460 Volt Applications | 28-31 |
| 230 Volt applications | 32-35 |
| 208 Volt Applications | 36-39 |

| | |
|---------------------------------|----|
| Feeders - Circuit Breaker | 40 |
|---------------------------------|----|

| | |
|--------------------------------|----|
| Feeders - Fusible Switch | 41 |
|--------------------------------|----|

| | |
|---------------------------------|----|
| Doors and Support Shelves | 41 |
|---------------------------------|----|

Starter Wiring Diagrams

| | |
|----------------|----|
| FVNR 1-4 | 42 |
| FVNR 5 | 43 |
| FVR | 44 |
| 2S2W | 45 |
| 2S1W | 46 |

Series 5600 Retrofit Program

General Information

History

The history of the ITE Imperial, Gould/ITE, and Telemecanique Series 5600 Motor Control Centers began in 1971 with ITE's acquisition of Rowan Controller. After the acquisition, ITE began shipping Series 5600 MCCs with their circuit breaker protective devices and control products. Gould Inc. merged with ITE Imperial in 1976 and became Gould/ITE. The basic construction of the Series 5600 MCCs remained unchanged. Gould/ITE incorporated Gould fusible components and the revolutionary unitized starters. In the mid 1980's, Gould/ITE was sold to Siemens and Telemecanique. Siemens purchased the distribution equipment lines in 1982-83 and Telemecanique purchased the controls portion in 1985 including the Series 5600 MCCs. Telemecanique continued manufacturing the Series 5600 MCCs into 1992 before discontinuing the product line. Siemens does not have access to historical Series 5600 records, however, Siemens will provide quality products for renewal parts and retrofits to existing Series 5600 MCCs.

Introduction

Due to customer request and manufacturer responsibility, Siemens decided to enter the Series 5600 MCC Retrofit Business. Many of the existing MCCs contain ITE circuit breakers, a product line now owned by Siemens. Siemens is offering a wide selection of drawout motor starters and drawout feeder units. All retrofit units are 100% interchangeable with existing units. New units are manufactured with components currently being used in Siemens Model 95 Motor Control Centers. The standardized structure of Siemens Series 5600 MCC Retrofit Program also promotes distributor stocking.

Scope of Offering

The scope of Siemens retrofits includes ITE Imperial, Gould/ITE, and Telemecanique Series 5600 MCCs only. These MCCs were manufactured from 1971 to 1992 in standard depths of 15

or 20 inches. Width of individual structures was 20 inches. Siemens can provide complete drawout retrofit units for starter and feeder applications 208V through 575V. Starters are available through NEMA size 5 and feeders through 400A. Siemens is not currently offering Series 5600 MCC structures.

Pricing and Delivery

Pricing contained in this guide pertains to standard units only (Per listed specifications and standard control diagrams). Special price negotiations are available for large volume orders. Delivery of standard units is 2-4 weeks after order is received at factory. Non-standard units will require 6-8 week delivery and additional cost unless negotiated otherwise.

Order Entry Details

All orders should be placed through a local Siemens distributor. Completed order entry form SG-6042-S (Page 7 of this manual) and customer purchase order must accompany all orders. Siemens catalog numbers (from this guide) must be used and desired unit heights indicated. Siemens cannot accept orders per ITE, Gould, or Telemecanique catalog numbers. Customer modifications to Siemens standard unit specifications must be indicated. Such modifications will extend delivery and may increase cost.

Submittal Package

Every unit shipped from the factory will be accompanied by a submittal package specific to the unit. The drawing package will include the unit description, unit wiring diagram, and installation instructions.

Customer Service

Customer service and support is available from qualified local distributors and Siemens representatives at the local sales office. Back-up technical support is available from the manufacturing plant in Raleigh, NC. Siemens has a complete field service organization throughout the country.

Unit Descriptions

Industry Standards

All circuit protective devices and control products used in Siemens Series 5600 retrofit units are either U.L. Listed or U.L. Recognized. These same components are used in Siemens Model 95 Motor Control Centers which are U.L. Listed per U.L. file number E53551.

Siemens retrofit units are configured for applications per NEMA standards.

In addition, similar units are being applied to nuclear specifications with post manufacture certification.

Steel and Coating

Hot rolled steel (HRPO) of code gauge will be used for door and unit construction. All steel will be painted unless grounding requirements prohibit. Paint will be electrostatically applied polyester powder type with thickness of 2 mils. Unit interiors will be painted white and unit doors will be painted ANSI 61 light gray.

Disconnect Operators

Each starter or feeder unit will be provided with a linear disconnect operator as an integral part of the drawout unit. This operator, which is used for Model 95 MCC units, does not have any linkages. Positive indication of on, off, or tripped is provided by the operator as well as interlocking to prevent the unit door from being opened with the disconnect on. The operator is painted black and accommodates up to four padlocks for locking in the off position.

Stab Assembly

Stab assemblies for starter or feeder units are mounted on the rear of the drawout units. Stab assemblies are spring reinforced, self aligning, and silver plated with a rating of 250 Amps. Each phase of the stab assembly provides four point high pressure contact with the vertical bus. Stab assemblies are cable connected to the unit disconnect.

Unit Support Shelves

Optional unit support shelves are available where required to support new units. Siemens support shelves are 100% interchangeable with existing shelves. Shelves have provisions for locking drawout unit in the partially withdrawn (disconnected) position. Support shelves should not be required if unit is being replaced.

Nameplates

Engraved nameplates are provided for each unit with black letters on white background. Nameplates are 1 inch high and 2.75 inches wide. Characters are 3/16 inch high as standard with a maximum of 15 characters per line. Nameplates will be mounted with reusable nylon rivets.

Feeder Units

Drawout feeder retrofit units are available through 400 Amp for ITE molded case circuit breaker type and through 200 Amp for Siemens visible blade, fusible switch type. Compact units are available as standard. Wiring from the stabs to the disconnect will be MTW type. All feeder units are provided with door and NEMA 12 gasketing.

Starter Units

Drawout starter retrofit units are available through NEMA size 5 in ITE magnetic-only circuit breaker combination and through NEMA size 4 in Siemens fusible switch combination. Wiring from the stabs to the disconnect will be MTW type. All starter units are provided with door and NEMA 12 gasketing.

Contactors - Siemens NEMA rated 3TF contactors with 2NO and 2NC auxiliary contacts will be utilized in all starters units.

Overload Relays - Siemens Class 20 Bi-metal overload relays will be used for thermal protection. Overload heater elements should be obtained from a Siemens distributor and are not included in pricing. Overloads will be provided with one normally closed contact to de-energize contactor on overload. Manual overload reset button will be provided on the door of the starter unit.

Control Terminal Blocks - Control terminal blocks will be Connectron type NSS3PP. Terminal blocks are fixed type, rated 25 Amps, and 600 Volts. Fifteen control points will be provided as standard, DIN rail mounted vertically on the right side of the drawout starter unit. The Connectron NSS3PP will accept pressure, spade, or ring connections.

Power Terminal Blocks - Power terminal blocks will not be supplied as standard, power connections will be direct to overload relay.

Control Power Transformers - An encapsulated control power transformer with extra volt-ampere capacity will be provided for each starter unit. Both primary and secondary fuses will be provided as standard. Control transformer will be connected between phases A and B to provide 115V for control circuit.

Series 5600 Retrofit Program

Pilot Devices - Starter pilot devices are optional and can be incorporated by adding proper suffix to the unit catalog number. Standard options for switches, push buttons, and lights are shown on starter wiring diagrams. Pilot devices are 22mm type and mount in black device panel as an integral part of the drawout unit. Indicating lights are full voltage type. Pilot devices are limited to a maximum of four per unit due to standard device panel.

Control Wiring - Starter units will be NEMA Class I, Type B wired. All wiring will be MTW type rated 105 degrees C. Wire terminations will be pressure type. Identification of wires will be on terminal block marking strip.

Wiring Diagrams - Standard wiring diagrams are provided to show starter wiring and control options. Local control is optional with switch or push-button. Pilot lights can also be added locally with catalog number suffix. All diagrams have identical terminal block numbering and provide for simple connection of pilot devices. Diagrams are designed to allow distributor stocking of basic units. Variations in wiring are not allowed in the standard offering.

Technical Data

Technical data on Siemens components utilized in the Siemens Series 5600 Retrofit Program is available per the following literature.

| Component | Literature |
|-----------------------------|---|
| Thermal-Magnetic Breakers | Spec Guide Speedfax (PC1000) PC6000 |
| Magnetic-Only Breakers | Spec Guide Speedfax (PC1000) PC6000 |
| Fusible Disconnect Switches | Spec Guide Speedfax (PC1000) |
| NEMA Rated Contactors | PC6000 |
| Class 20 Overload Relays | PC6000 |
| Pilot Devices | PC6000 |

Installation Guidelines

The following guidelines have been provided to assist in drawout unit withdrawal and insertion. These guidelines are not a substitute for original equipment manufacturer instructions.

Unit Withdrawal

Step 1 - Opening Door

Insure disconnect is in the open position. Using a screw driver, turn door latches (quarter turn) to allow door to open.

Step 2 - Loosening Unit Anchors

Loosen the screw in the top-center of the unit enclosure until the pawl turns to the horizontal position (several turns will be required).
Loosen the screw in the bottom-center of the unit enclosure until the pawl turns to the horizontal position (several turns will be required).

Step 3 - Unit Withdrawal

Withdraw the unit to the "lock out position". Position can be determined by observing the line-up of the padlock hole at the bottom-right of the unit enclosure with the padlock hole in the unit support shelf.

NOTICE : Interlocking control circuits from other sources may still be energized.

Control and power wiring must be disconnected to allow complete withdrawal from structure. All wiring removed should be tagged for reconnection.

Unit Insertion

Step 1 - Inserting Support Shelf

If not already present, a support shelf will be required to install the drawout unit. Installation of support shelf is similar to installing bed rails. The hooks on the shelf fit into the slots spaced on 6" centers down the entire inside of the structure. Once in place, tap down lightly with hammer until shelf bottoms solidly.

Step 2 - Inserting Unit

Insure unit disconnect is in the open position. If vertical bus safety slides are present, open the slide cover by pushing to the left. Inspect unit stabs to insure they are lubricated. Rest the unit on the support shelf and insert to the lock out position (align padlock holes at bottom right of unit).

Step 3 - Wiring

Complete all control and power wiring prior to connecting the unit to the vertical bus.

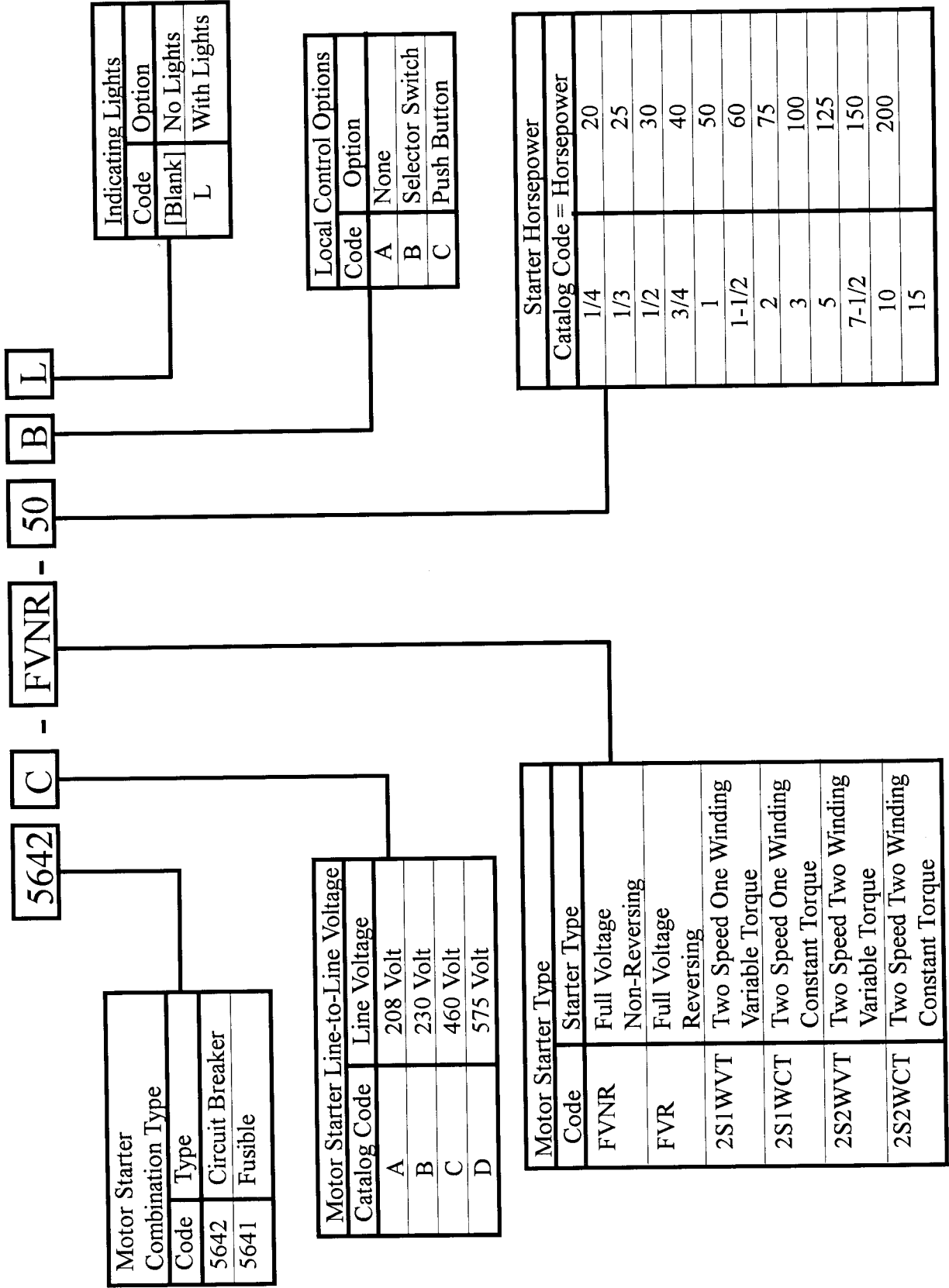
Step 4 - Securing the Unit

Push unit firmly into place by applying uniform pressure to both sides of the unit. Tighten top and bottom unit anchors with screw driver until front edge of unit is even with front edge of support shelf. Tightening anchors is important for grounding as well as unit support.

Step 5 - Installing Door

The top half of the hinge is welded to the door. The supporting bottom half must be screwed to the hinge support, which is welded to the side panel. With the door held in the half-open position, slide down over hinge pins. Adjust the door to a 5/32" clearance between the edge of the door and the side panel before final tightening.

Siemens Catalog Number Structure for Gould / ITE Series 5600 Starters



| Motor Starter Combination Type | |
|--------------------------------|-----------------|
| Code | Type |
| 5642 | Circuit Breaker |
| 5641 | Fusible |

| Motor Starter Line-to-Line Voltage | |
|------------------------------------|--------------|
| Catalog Code | Line Voltage |
| A | 208 Volt |
| B | 230 Volt |
| C | 460 Volt |
| D | 575 Volt |

| Motor Starter Type | |
|--------------------|---------------------------------------|
| Code | Starter Type |
| FVNR | Full Voltage Non-Reversing |
| FVR | Full Voltage Reversing |
| 2S1WVT | Two Speed One Winding Variable Torque |
| 2S1WCT | Two Speed One Winding Constant Torque |
| 2S2WVT | Two Speed Two Winding Variable Torque |
| 2S2WCT | Two Speed Two Winding Constant Torque |

| Local Control Options | |
|-----------------------|-----------------|
| Code | Option |
| A | None |
| B | Selector Switch |
| C | Push Button |

| Starter Horsepower | |
|---------------------------|------------|
| Catalog Code = Horsepower | Horsepower |
| 1/4 | 20 |
| 1/3 | 25 |
| 1/2 | 30 |
| 3/4 | 40 |
| 1 | 50 |
| 1-1/2 | 60 |
| 2 | 75 |
| 3 | 100 |
| 5 | 125 |
| 7-1/2 | 150 |
| 10 | 200 |
| 15 | |

| Indicating Lights | |
|-------------------|-------------|
| Code | Option |
| [Blank] | No Lights |
| L | With Lights |

Retrofit Unit Specification Sheet - Series 5600 Units

| | |
|----------------------|--------------------|
| Customer : | Date : |
| P.O. Number : | Quote : |
| | Sales Rep : |

Series 5600 Starter Retrofit Units

| Quantity Required | Siemens (1) Catalog Number | Special (2) Modifications | Unit (3) Height | Unit List Price | Extended List Price |
|--------------------------|-------------------------------|------------------------------|--------------------|--------------------|------------------------|
| | | | | | |
| | | | | | |
| | | | | | |
| | | | | | |
| | | | | | |
| | | | | | |
| | | | | | |
| | | | | | |
| | | | | | |
| | | | | | |
| Starter Sub Total | | | | | |

Series 5600 Feeder Retrofit Units

| Quantity Required | Siemens (1) Catalog Number | Special (2) Modifications | Unit (3) Height | Unit List Price | Extended List Price |
|-------------------------|-------------------------------|------------------------------|--------------------|--------------------|------------------------|
| | | | | | |
| | | | | | |
| | | | | | |
| | | | | | |
| | | | | | |
| | | | | | |
| | | | | | |
| | | | | | |
| | | | | | |
| | | | | | |
| Feeder Sub Total | | | | | |

Series 5600 Accessories and Modifications

| Quantity Required | Siemens Catalog Number or Description of Modification | Unit Height | Unit List Price | Extended List Price |
|----------------------------|--|----------------|--------------------|------------------------|
| | Unit Support Shelf 5600-SHELF | NA | 75 | |
| | Blank Door 6" High 5600-DOOR-6 | 6 | 100 | |
| | Blank Door 12" High 5600-DOOR-12 | 12 | 125 | |
| | | | | |
| | | | | |
| | | | | |
| | | | | |
| Accessory Sub Total | | | | |

- (1) Only Siemens catalog numbers can be processed.
See Application Guide for valid catalog numbers.
- (2) Modifications require additional cost and longer delivery.
- (3) Confirm unit height from existing structure or unit.

| | |
|-------------------------|--|
| Total List Price | |
| Multiplier | |
| Total Net Price | |

Pricing Tables

FVNR Starter Selection Table - 575V Circuit Breaker Combination

Catalog Number Prefix : **5642D-FVNR-** (suffix 1)

| Horse-power | NEMA Size | Circuit Breaker (1) | | CPT Size (2) | Catalog (Suffix 1) by Control Diagram (4) | | | List Price | Height (Inches) |
|-------------|-----------|---------------------|--------|--------------|---|--------|--------|------------|-----------------|
| | | Frame | Rating | | FVNR-A | FVNR-B | FVNR-C | | |
| 1/4 | 1 | ED6 | 1A | 100VA | 1/4A | 1/4B | 1/4C | 1950 | 12 (3) |
| 1/3 | | ED6 | 1A | 100VA | 1/3A | 1/3B | 1/3C | 1950 | 12 (3) |
| 1/2 | | ED6 | 2A | 100VA | 1/2A | 1/2B | 1/2C | 1950 | 12 (3) |
| 3/4 | | ED6 | 2A | 100VA | 3/4A | 3/4B | 3/4C | 1950 | 12 (3) |
| 1 | | ED6 | 2A | 100VA | 1A | 1B | 1C | 1950 | 12 (3) |
| 1-1/2 | | ED6 | 3A | 100VA | 1-1/2A | 1-1/2B | 1-1/2C | 1950 | 12 (3) |
| 2 | | ED6 | 5A | 100VA | 2A | 2B | 2C | 1950 | 12 (3) |
| 3 | | ED6 | 10A | 100VA | 3A | 3B | 3C | 1950 | 12 (3) |
| 5 | | ED6 | 10A | 100VA | 5A | 5B | 5C | 1950 | 12 (3) |
| 7-1/2 | | ED6 | 25A | 100VA | 7-1/2A | 7-1/2B | 7-1/2C | 1950 | 12 (3) |
| 10 | | ED6 | 25A | 100VA | 10A | 10B | 10C | 1950 | 12 (3) |
| 15 | 2 | ED6 | 30A | 100VA | 15A | 15B | 15C | 2250 | 12 |
| 20 | | ED6 | 40A | 100VA | 20A | 20B | 20C | 2250 | 12 |
| 25 | | ED6 | 50A | 100VA | 25A | 25B | 25C | 2250 | 12 |
| 30 | 3 | ED6 | 50A | 150VA | 30A | 30B | 30C | 3200 | 24 |
| 40 | | ED6 | 50A | 150VA | 40A | 40B | 40C | 3200 | 24 |
| 50 | | ED6 | 100A | 150VA | 50A | 50B | 50C | 3200 | 24 |
| 60 | 4 | ED6 | 125A | 200VA | 60A | 60B | 60C | 5500 | 24 |
| 75 | | ED6 | 125A | 200VA | 75A | 75B | 75C | 5500 | 24 |
| 100 | | FD6 | 250A | 200VA | 100A | 100B | 100C | 5500 | 24 |

Example : **50HP Motor with H-O-A Control and Lights :**
5642D-FVNR-50BL @ \$3,540 List

- (1) Standard configurations are for magnetic-only type circuit breaker combination starters. Thermal-magnetic breakers can be supplied as a custom option with associated price adder.
- (2) Standard configurations include control power transformers with VA ratings as listed. Higher VA ratings are available as custom options with associated price adders.
- (3) Dual FVNR size one starters are available in an 18 inch unit at double the list price.
- (4) All standard configurations use 115VAC control circuits. Three (3) standard control types are available :

| | | |
|-----|------------------|----------------|
| A - | No local control | (N/A) |
| B - | Selector Switch | (H-O-A) |
| C - | Push Button | (Start / Stop) |

Two (2) status lights can be provided as indicated on drawings by adding an "L" to the end of the catalog number and incorporating associated price adder (\$340). All lights are full voltage type.

Any other control configuration is considered non-standard and will require price adder.

Pricing Tables

FVR Starter Selection Table - 575V Circuit Breaker Combination

Catalog Number Prefix :

5642D-FVR-

| |
|------------|
| (suffix 1) |
|------------|

| Horse-power | NEMA Size | Circuit Breaker (1) | | CPT Size (2) | Catalog (Suffix 1) by Control Diagram (4) | | | List Price | Height (Inches) |
|-------------|-----------|---------------------|--------|--------------|---|--------|--------|------------|-----------------|
| | | Frame | Rating | | FVR-A | FVR-B | FVR-C | | |
| 1/4 | 1 | ED6 | 1A | 100VA | 1/4A | 1/4B | 1/4C | 2650 | 18 (3) |
| 1/3 | | ED6 | 1A | 100VA | 1/3A | 1/3B | 1/3C | 2650 | 18 (3) |
| 1/2 | | ED6 | 2A | 100VA | 1/2A | 1/2B | 1/2C | 2650 | 18 (3) |
| 3/4 | | ED6 | 2A | 100VA | 3/4A | 3/4B | 3/4C | 2650 | 18 (3) |
| 1 | | ED6 | 2A | 100VA | 1A | 1B | 1C | 2650 | 18 (3) |
| 1-1/2 | | ED6 | 3A | 100VA | 1-1/2A | 1-1/2B | 1-1/2C | 2650 | 18 (3) |
| 2 | | ED6 | 5A | 100VA | 2A | 2B | 2C | 2650 | 18 (3) |
| 3 | | ED6 | 10A | 100VA | 3A | 3B | 3C | 2650 | 18 (3) |
| 5 | | ED6 | 10A | 100VA | 5A | 5B | 5C | 2650 | 18 (3) |
| 7-1/2 | | ED6 | 25A | 100VA | 7-1/2A | 7-1/2B | 7-1/2C | 2650 | 18 (3) |
| 10 | | ED6 | 25A | 100VA | 10A | 10B | 10C | 2650 | 18 (3) |
| 15 | 2 | ED6 | 30A | 100VA | 15A | 15B | 15C | 3250 | 18 (3) |
| 20 | | ED6 | 40A | 100VA | 20A | 20B | 20C | 3250 | 18 (3) |
| 25 | | ED6 | 50A | 100VA | 25A | 25B | 25C | 3250 | 18 (3) |
| 30 | 3 | ED6 | 50A | 150VA | 30A | 30B | 30C | 4710 | 30 |
| 40 | | ED6 | 50A | 150VA | 40A | 40B | 40C | 4710 | 30 |
| 50 | | ED6 | 100A | 150VA | 50A | 50B | 50C | 4710 | 30 |
| 60 | 4 | ED6 | 125A | 200VA | 60A | 60B | 60C | 8080 | 36 |
| 75 | | ED6 | 125A | 200VA | 75A | 75B | 75C | 8080 | 36 |
| 100 | | FD6 | 250A | 200VA | 100A | 100B | 100C | 8080 | 36 |

Example : **7-1/2HP Motor with Push Button Control :**
5642D-FVR-7-1/2C @ \$2,650 List

- (1) Standard configurations are for magnetic-only type circuit breaker combination starters. Thermal-magnetic breakers can be supplied as a custom option with associated price adder.
- (2) Standard configurations include control power transformers with VA ratings as listed. Higher VA ratings are available as custom options with associated price adders.
- (3) Optional 12" compact unit is available at no additional cost.
- (4) All standard configurations use 115VAC control circuits. Three (3) standard control types are available :

| | | |
|-----|------------------|--------------------|
| A - | No local control | (N/A) |
| B - | Selector Switch | (F-O-R) |
| C - | Push Button | (Fwd / Rev / Stop) |

Three (3) status lights can be provided as indicated on drawings by adding an "L" to the end of the catalog number and incorporating associated price adder (\$510). All lights are full voltage type.
 NOTE : Indicating lights are not available with push button option "C" due to four device maximum.

Any other control configuration is considered non-standard and will require price adder.

Pricing Tables

2S1W Starter Selection Table - 575V Circuit Breaker Combination

Constant Torque (CT) or Variable Torque (VT) Only

Catalog Number Prefix : 5642D-2S1W ___ - (suffix1)

| Horse-power | NEMA Size | Circuit Breaker (1) | | CPT Size (2) | Catalog (Suffix 1) by Control Diagram (4) | | | List Price | Height (Inches) |
|-------------|-----------|---------------------|--------|--------------|---|--------|--------|------------|-----------------|
| | | Frame | Rating | | 2S1W-A | 2S1W-B | 2S1W-C | | |
| 1/4 | 1 | ED6 | 1A | 100VA | 1/4A | 1/4B | 1/4C | 3195 | 24 (3) |
| 1/3 | | ED6 | 1A | 100VA | 1/3A | 1/3B | 1/3C | 3195 | 24 (3) |
| 1/2 | | ED6 | 2A | 100VA | 1/2A | 1/2B | 1/2C | 3195 | 24 (3) |
| 3/4 | | ED6 | 2A | 100VA | 3/4A | 3/4B | 3/4C | 3195 | 24 (3) |
| 1 | | ED6 | 2A | 100VA | 1A | 1B | 1C | 3195 | 24 (3) |
| 1-1/2 | | ED6 | 3A | 100VA | 1-1/2A | 1-1/2B | 1-1/2C | 3195 | 24 (3) |
| 2 | | ED6 | 5A | 100VA | 2A | 2B | 2C | 3195 | 24 (3) |
| 3 | | ED6 | 10A | 100VA | 3A | 3B | 3C | 3195 | 24 (3) |
| 5 | | ED6 | 10A | 100VA | 5A | 5B | 5C | 3195 | 24 (3) |
| 7-1/2 | | ED6 | 25A | 100VA | 7-1/2A | 7-1/2B | 7-1/2C | 3195 | 24 (3) |
| 10 | | ED6 | 25A | 100VA | 10A | 10B | 10C | 3195 | 24 (3) |
| 15 | 2 | ED6 | 30A | 100VA | 15A | 15B | 15C | 4400 | 24 (3) |
| 20 | | ED6 | 40A | 100VA | 20A | 20B | 20C | 4400 | 24 (3) |
| 25 | | ED6 | 50A | 100VA | 25A | 25B | 25C | 4400 | 24 (3) |

Example : **2HP Variable Torque Motor with No Local Control :**
5642D-2S1WVT-2A @ \$3,195 List

- (1) Standard configurations are for magnetic-only type circuit breaker combination starters. Thermal-magnetic breakers can be supplied as a custom option with associated price adder.
- (2) Standard configurations include control power transformers with VA ratings as listed. Higher VA ratings are available as custom options with associated price adders.
- (3) Optional 18" compact unit is available at no additional cost.
- (4) All standard configurations use 115VAC control circuits. Three (3) standard control types are available :

| | | |
|-----|------------------|---------------------|
| A - | No local control | (N/A) |
| B - | Selector Switch | (H-L-O-A) |
| C - | Push Button | (High / Low / Stop) |

Three (3) status lights can be provided as indicated on drawings by adding an "L" to the end of the catalog number and incorporating associated price adder (\$510). All lights are full voltage type. NOTE : Indicating lights are not available with push button option "C" due to four device maximum.

Any other control configuration is considered non-standard and will require price adder.

Pricing Tables

2S2W Starter Selection Table - 575V Circuit Breaker Combination

Constant Torque (CT) or Variable Torque (VT) Only

Catalog Number Prefix : 5642D-2S2W ___ - (suffix1)

| Horse-power | NEMA Size | Circuit Breaker (1) | | CPT Size (2) | Catalog (Suffix 1) by Control Diagram (4) | | | List Price | Height (Inches) |
|-------------|-----------|---------------------|--------|--------------|---|--------|--------|------------|-----------------|
| | | Frame | Rating | | 2S2W-A | 2S2W-B | 2S2W-C | | |
| 1/4 | 1 | ED6 | 1A | 100VA | 1/4A | 1/4B | 1/4C | 2875 | 18 (3) |
| 1/3 | | ED6 | 1A | 100VA | 1/3A | 1/3B | 1/3C | 2875 | 18 (3) |
| 1/2 | | ED6 | 2A | 100VA | 1/2A | 1/2B | 1/2C | 2875 | 18 (3) |
| 3/4 | | ED6 | 2A | 100VA | 3/4A | 3/4B | 3/4C | 2875 | 18 (3) |
| 1 | | ED6 | 2A | 100VA | 1A | 1B | 1C | 2875 | 18 (3) |
| 1-1/2 | | ED6 | 3A | 100VA | 1-1/2A | 1-1/2B | 1-1/2C | 2875 | 18 (3) |
| 2 | | ED6 | 5A | 100VA | 2A | 2B | 2C | 2875 | 18 (3) |
| 3 | | ED6 | 10A | 100VA | 3A | 3B | 3C | 2875 | 18 (3) |
| 5 | | ED6 | 10A | 100VA | 5A | 5B | 5C | 2875 | 18 (3) |
| 7-1/2 | | ED6 | 25A | 100VA | 7-1/2A | 7-1/2B | 7-1/2C | 2875 | 18 (3) |
| 10 | | ED6 | 25A | 100VA | 10A | 10B | 10C | 2875 | 18 (3) |
| 15 | 2 | ED6 | 30A | 100VA | 15A | 15B | 15C | 4100 | 18 (3) |
| 20 | | ED6 | 40A | 100VA | 20A | 20B | 20C | 4100 | 18 (3) |
| 25 | | ED6 | 50A | 100VA | 25A | 25B | 25C | 4100 | 18 (3) |

Example : **25HP Constant Torque Motor with Switch and Lights :**
5642D-2S2WCT-25BL @ \$4,610 List

- (1) Standard configurations are for magnetic-only type circuit breaker combination starters. Thermal-magnetic breakers can be supplied as a custom option with associated price adder.
- (2) Standard configurations include control power transformers with VA ratings as listed. Higher VA ratings are available as custom options with associated price adders.
- (3) Optional 12" compact unit is available at no additional cost.
- (4) All standard configurations use 115VAC control circuits. Three (3) standard control types are available :

| | | |
|-----|------------------|---------------------|
| A - | No local control | (N/A) |
| B - | Selector Switch | (H-L-O-A) |
| C - | Push Button | (High / Low / Stop) |

Three (3) status lights can be provided as indicated on drawings by adding an "L" to the end of the catalog number and incorporating associated price adder (\$510). All lights are full voltage type. NOTE : Indicating lights are not available with push button option "C" due to four device maximum.

Any other control configuration is considered non-standard and will require price adder.

Pricing Tables

FVNR Starter Selection Table - 460V Circuit Breaker Combination

Catalog Number Prefix : **5642C-FVNR-** (suffix 1)

| Horse-power | NEMA Size | Circuit Breaker (1) | | CPT Size (2) | Catalog (Suffix 1) by Control Diagram (5) | | | List Price | Height (Inches) |
|-------------|-----------|---------------------|--------|--------------|---|-----------|-----------|------------|-----------------|
| | | Frame | Rating | | FVNR-A/AA | FVNR-B/BB | FVNR-C/CC | | |
| 1/4 | 1 | ED6 | 1A | 100VA | 1/4A | 1/4B | 1/4C | 1950 | 12 (3) |
| 1/3 | | ED6 | 1A | 100VA | 1/3A | 1/3B | 1/3C | 1950 | 12 (3) |
| 1/2 | | ED6 | 2A | 100VA | 1/2A | 1/2B | 1/2C | 1950 | 12 (3) |
| 3/4 | | ED6 | 2A | 100VA | 3/4A | 3/4B | 3/4C | 1950 | 12 (3) |
| 1 | | ED6 | 3A | 100VA | 1A | 1B | 1C | 1950 | 12 (3) |
| 1-1/2 | | ED6 | 5A | 100VA | 1-1/2A | 1-1/2B | 1-1/2C | 1950 | 12 (3) |
| 2 | | ED6 | 5A | 100VA | 2A | 2B | 2C | 1950 | 12 (3) |
| 3 | | ED6 | 10A | 100VA | 3A | 3B | 3C | 1950 | 12 (3) |
| 5 | | ED6 | 25A | 100VA | 5A | 5B | 5C | 1950 | 12 (3) |
| 7-1/2 | | ED6 | 25A | 100VA | 7-1/2A | 7-1/2B | 7-1/2C | 1950 | 12 (3) |
| 10 | | ED6 | 30A | 100VA | 10A | 10B | 10C | 1950 | 12 (3) |
| 15 | 2 | ED6 | 40A | 100VA | 15A | 15B | 15C | 2250 | 12 |
| 20 | | ED6 | 50A | 100VA | 20A | 20B | 20C | 2250 | 12 |
| 25 | | ED6 | 50A | 100VA | 25A | 25B | 25C | 2250 | 12 |
| 30 | 3 | ED6 | 50A | 150VA | 30A | 30B | 30C | 3200 | 24 |
| 40 | | ED6 | 100A | 150VA | 40A | 40B | 40C | 3200 | 24 |
| 50 | | ED6 | 125A | 150VA | 50A | 50B | 50C | 3200 | 24 |
| 60 | 4 | ED6 | 125A | 200VA | 60A | 60B | 60C | 5500 | 24 |
| 75 | | FD6 | 250A | 200VA | 75A | 75B | 75C | 5500 | 24 |
| 100 | | FD6 | 250A | 200VA | 100A | 100B | 100C | 5500 | 24 |
| 125 | 5 | FD6 | 250A | 100VA | 125AA (4) | 125BB (4) | 125CC (4) | 10580 | 36 |
| 150 | | JD6 | 400A | 100VA | 150AA (4) | 150BB (4) | 150CC (4) | 10580 | 36 |
| 200 | | JD6 | 400A | 100VA | 200AA (4) | 200BB (4) | 200CC (4) | 10580 | 36 |

Example : 50HP Motor with H-O-A Control and Lights :
5642C-FVNR-50BL @ \$3,540 List

- (1) Standard configurations are for magnetic-only type circuit breaker combination starters. Thermal-magnetic breakers can be supplied as a custom option with associated price adder.
- (2) Standard configurations include control power transformers with VA ratings as listed. Higher VA ratings are available as custom options with associated price adders.
- (3) Dual FVNR size one starters are available in an 18 inch unit at double the list price.
- (4) Size five starters utilize vacuum contactors with 460V coils and 115V interposing relays (See diagrams).
- (5) All standard configurations use 115VAC control circuits. Three (3) standard control types are available :

| | | |
|----------|------------------|----------------|
| A & AA - | No local control | (N/A) |
| B & BB - | Selector Switch | (H-O-A) |
| C & CC - | Push Button | (Start / Stop) |

Two (2) status lights can be provided as indicated on drawings by adding an "L" to the end of the catalog number and incorporating associated price adder (\$340). All lights are full voltage type.

Any other control configuration is considered non-standard and will require price adder.

Pricing Tables

FVR Starter Selection Table - 460V Circuit Breaker Combination

Catalog Number Prefix : **5642C-FVR-** (suffix 1)

| Horse-power | NEMA Size | Circuit Breaker (1) | | CPT Size (2) | Catalog (Suffix 1) by Control Diagram (4) | | | List Price | Height (Inches) |
|-------------|-----------|---------------------|--------|--------------|---|--------|--------|------------|-----------------|
| | | Frame | Rating | | FVR-A | FVR-B | FVR-C | | |
| 1/4 | 1 | ED6 | 1A | 100VA | 1/4A | 1/4B | 1/4C | 2650 | 18 (3) |
| 1/3 | | ED6 | 1A | 100VA | 1/3A | 1/3B | 1/3C | 2650 | 18 (3) |
| 1/2 | | ED6 | 2A | 100VA | 1/2A | 1/2B | 1/2C | 2650 | 18 (3) |
| 3/4 | | ED6 | 2A | 100VA | 3/4A | 3/4B | 3/4C | 2650 | 18 (3) |
| 1 | | ED6 | 3A | 100VA | 1A | 1B | 1C | 2650 | 18 (3) |
| 1-1/2 | | ED6 | 5A | 100VA | 1-1/2A | 1-1/2B | 1-1/2C | 2650 | 18 (3) |
| 2 | | ED6 | 5A | 100VA | 2A | 2B | 2C | 2650 | 18 (3) |
| 3 | | ED6 | 10A | 100VA | 3A | 3B | 3C | 2650 | 18 (3) |
| 5 | | ED6 | 25A | 100VA | 5A | 5B | 5C | 2650 | 18 (3) |
| 7-1/2 | | ED6 | 25A | 100VA | 7-1/2A | 7-1/2B | 7-1/2C | 2650 | 18 (3) |
| 10 | | ED6 | 30A | 100VA | 10A | 10B | 10C | 2650 | 18 (3) |
| 15 | 2 | ED6 | 40A | 100VA | 15A | 15B | 15C | 3250 | 18 (3) |
| 20 | | ED6 | 50A | 100VA | 20A | 20B | 20C | 3250 | 18 (3) |
| 25 | | ED6 | 50A | 100VA | 25A | 25B | 25C | 3250 | 18 (3) |
| 30 | 3 | ED6 | 50A | 150VA | 30A | 30B | 30C | 4710 | 30 |
| 40 | | ED6 | 100A | 150VA | 40A | 40B | 40C | 4710 | 30 |
| 50 | | ED6 | 125A | 150VA | 50A | 50B | 50C | 4710 | 30 |
| 60 | 4 | FD6 | 125A | 200VA | 60A | 60B | 60C | 8080 | 36 |
| 75 | | FD6 | 250A | 200VA | 75A | 75B | 75C | 8080 | 36 |
| 100 | | FD6 | 250A | 200VA | 100A | 100B | 100C | 8080 | 36 |

Example : **7-1/2HP Motor with Push Button Control :**
5642C-FVR-7-1/2C @ \$2,650 List

- (1) Standard configurations are for magnetic-only type circuit breaker combination starters. Thermal-magnetic breakers can be supplied as a custom option with associated price adder.
- (2) Standard configurations include control power transformers with VA ratings as listed. Higher VA ratings are available as custom options with associated price adders.
- (3) Optional 12" compact unit is available at no additional cost.
- (4) All standard configurations use 115VAC control circuits. Three (3) standard control types are available :

| | | |
|-----|------------------|--------------------|
| A - | No local control | (N/A) |
| B - | Selector Switch | (F-O-R) |
| C - | Push Button | (Fwd / Rev / Stop) |

Three (3) status lights can be provided as indicated on drawings by adding an "L" to the end of the catalog number and incorporating associated price adder (\$510). All lights are full voltage type. NOTE : Indicating lights are not available with push button option "C" due to four device maximum.

Any other control configuration is considered non-standard and will require price adder.

Pricing Tables

2S1W Starter Selection Table - 460V Circuit Breaker Combination Constant Torque (CT) or Variable Torque (VT) Only Catalog Number Prefix : 5642C-2S1W ___ - (suffix1)

| Horse-power | NEMA Size | Circuit Breaker (1) | | CPT Size (2) | Catalog (Suffix 1) by Control Diagram (4) | | | List Price | Height (Inches) |
|-------------|-----------|---------------------|--------|--------------|---|--------|--------|------------|-----------------|
| | | Frame | Rating | | 2S1W-A | 2S1W-B | 2S1W-C | | |
| 1/4 | 1 | ED6 | 1A | 100VA | 1/4A | 1/4B | 1/4C | 3195 | 24 (3) |
| 1/3 | | ED6 | 1A | 100VA | 1/3A | 1/3B | 1/3C | 3195 | 24 (3) |
| 1/2 | | ED6 | 2A | 100VA | 1/2A | 1/2B | 1/2C | 3195 | 24 (3) |
| 3/4 | | ED6 | 2A | 100VA | 3/4A | 3/4B | 3/4C | 3195 | 24 (3) |
| 1 | | ED6 | 3A | 100VA | 1A | 1B | 1C | 3195 | 24 (3) |
| 1-1/2 | | ED6 | 5A | 100VA | 1-1/2A | 1-1/2B | 1-1/2C | 3195 | 24 (3) |
| 2 | | ED6 | 5A | 100VA | 2A | 2B | 2C | 3195 | 24 (3) |
| 3 | | ED6 | 10A | 100VA | 3A | 3B | 3C | 3195 | 24 (3) |
| 5 | | ED6 | 25A | 100VA | 5A | 5B | 5C | 3195 | 24 (3) |
| 7-1/2 | | ED6 | 25A | 100VA | 7-1/2A | 7-1/2B | 7-1/2C | 3195 | 24 (3) |
| 10 | | ED6 | 30A | 100VA | 10A | 10B | 10C | 3195 | 24 (3) |
| 15 | | 2 | ED6 | 40A | 100VA | 15A | 15B | 15C | 4400 |
| 20 | ED6 | | 50A | 100VA | 20A | 20B | 20C | 4400 | 24 (3) |
| 25 | ED6 | | 50A | 100VA | 25A | 25B | 25C | 4400 | 24 (3) |

Example : **2HP Variable Torque Motor with No Local Control :**
5642C-2S1WVT-2A @ \$3,195 List

- (1) Standard configurations are for magnetic-only type circuit breaker combination starters. Thermal-magnetic breakers can be supplied as a custom option with associated price adder.
- (2) Standard configurations include control power transformers with VA ratings as listed. Higher VA ratings are available as custom options with associated price adders.
- (3) Optional 18" compact unit is available at no additional cost.
- (4) All standard configurations use 115VAC control circuits.
Three (3) standard control types are available :

| | | |
|-----|------------------|---------------------|
| A - | No local control | (N/A) |
| B - | Selector Switch | (H-L-O-A) |
| C - | Push Button | (High / Low / Stop) |

Three (3) status lights can be provided as indicated on drawings by adding an "L" to the end of the catalog number and incorporating associated price adder (\$510). All lights are full voltage type.
NOTE : Indicating lights are not available with push button option "C" due to four device maximum.

Any other control configuration is considered non-standard and will require price adder.

Pricing Tables

2S2W Starter Selection Table - 460V Circuit Breaker Combination

Constant Torque (CT) or Variable Torque (VT) Only

Catalog Number Prefix : 5642C-2S2W ___ - (suffix1)

| Horse-power | NEMA Size | Circuit Breaker (1) | | CPT Size (2) | Catalog (Suffix 1) by Control Diagram (4) | | | List Price | Height (Inches) |
|-------------|-----------|---------------------|--------|--------------|---|--------|--------|------------|-----------------|
| | | Frame | Rating | | 2S2W-A | 2S2W-B | 2S2W-C | | |
| 1/4 | 1 | ED6 | 1A | 100VA | 1/4A | 1/4B | 1/4C | 2875 | 18 (3) |
| 1/3 | | ED6 | 1A | 100VA | 1/3A | 1/3B | 1/3C | 2875 | 18 (3) |
| 1/2 | | ED6 | 2A | 100VA | 1/2A | 1/2B | 1/2C | 2875 | 18 (3) |
| 3/4 | | ED6 | 2A | 100VA | 3/4A | 3/4B | 3/4C | 2875 | 18 (3) |
| 1 | | ED6 | 3A | 100VA | 1A | 1B | 1C | 2875 | 18 (3) |
| 1-1/2 | | ED6 | 5A | 100VA | 1-1/2A | 1-1/2B | 1-1/2C | 2875 | 18 (3) |
| 2 | | ED6 | 5A | 100VA | 2A | 2B | 2C | 2875 | 18 (3) |
| 3 | | ED6 | 10A | 100VA | 3A | 3B | 3C | 2875 | 18 (3) |
| 5 | | ED6 | 25A | 100VA | 5A | 5B | 5C | 2875 | 18 (3) |
| 7-1/2 | | ED6 | 25A | 100VA | 7-1/2A | 7-1/2B | 7-1/2C | 2875 | 18 (3) |
| 10 | 2 | ED6 | 30A | 100VA | 10A | 10B | 10C | 2875 | 18 (3) |
| 15 | | ED6 | 40A | 100VA | 15A | 15B | 15C | 4100 | 18 (3) |
| 20 | | ED6 | 50A | 100VA | 20A | 20B | 20C | 4100 | 18 (3) |
| 25 | | ED6 | 50A | 100VA | 25A | 25B | 25C | 4100 | 18 (3) |

Example : **25HP Constant Torque Motor with Switch and Lights :**
5642C-2S2WCT-25BL @ \$4,610 List

- (1) Standard configurations are for magnetic-only type circuit breaker combination starters. Thermal-magnetic breakers can be supplied as a custom option with associated price adder.
- (2) Standard configurations include control power transformers with VA ratings as listed. Higher VA ratings are available as custom options with associated price adders.
- (3) Optional 12" compact unit is available at no additional cost.
- (4) All standard configurations use 115VAC control circuits. Three (3) standard control types are available :

| | | |
|-----|------------------|---------------------|
| A - | No local control | (N/A) |
| B - | Selector Switch | (H-L-O-A) |
| C - | Push Button | (High / Low / Stop) |

Three (3) status lights can be provided as indicated on drawings by adding an "L" to the end of the catalog number and incorporating associated price adder (\$510). All lights are full voltage type.
 NOTE : Indicating lights are not available with push button option "C" due to four device maximum.

Any other control configuration is considered non-standard and will require price adder.

Pricing Tables

FVNR Starter Selection Table - 230V Circuit Breaker Combination

Catalog Number Prefix : **5642B-FVNR-** (suffix 1)

| Horse-power | NEMA Size | Circuit Breaker (1) | | CPT Size (2) | Catalog (Suffix 1) by Control Diagram (5) | | | List Price | Height (Inches) |
|-------------|-----------|---------------------|--------|--------------|---|-----------|-----------|------------|-----------------|
| | | Frame | Rating | | FVNR-A/AA | FVNR-B/BB | FVNR-C/CC | | |
| 1/4 | 1 | ED6 | 2A | 100VA | 1/4A | 1/4B | 1/4C | 1950 | 12 (3) |
| 1/3 | | ED6 | 2A | 100VA | 1/3A | 1/3B | 1/3C | 1950 | 12 (3) |
| 1/2 | | ED6 | 3A | 100VA | 1/2A | 1/2B | 1/2C | 1950 | 12 (3) |
| 3/4 | | ED6 | 5A | 100VA | 3/4A | 3/4B | 3/4C | 1950 | 12 (3) |
| 1 | | ED6 | 5A | 100VA | 1A | 1B | 1C | 1950 | 12 (3) |
| 1-1/2 | | ED6 | 10A | 100VA | 1-1/2A | 1-1/2B | 1-1/2C | 1950 | 12 (3) |
| 2 | | ED6 | 10A | 100VA | 2A | 2B | 2C | 1950 | 12 (3) |
| 3 | | ED6 | 25A | 100VA | 3A | 3B | 3C | 1950 | 12 (3) |
| 5 | | ED6 | 30A | 100VA | 5A | 5B | 5C | 1950 | 12 (3) |
| 7-1/2 | | ED6 | 40A | 100VA | 7-1/2A | 7-1/2B | 7-1/2C | 1950 | 12 (3) |
| 10 | 2 | ED6 | 50A | 100VA | 10A | 10B | 10C | 2250 | 12 |
| 15 | | ED6 | 50A | 100VA | 15A | 15B | 15C | 2250 | 12 |
| 20 | 3 | ED6 | 100A | 150VA | 20A | 20B | 20C | 3200 | 24 |
| 25 | | ED6 | 125A | 150VA | 25A | 25B | 25C | 3200 | 24 |
| 30 | | ED6 | 125A | 150VA | 30A | 30B | 30C | 3200 | 24 |
| 40 | 4 | FD6 | 250A | 200VA | 40A | 40B | 40C | 5500 | 24 |
| 50 | | FD6 | 250A | 200VA | 50A | 50B | 50C | 5500 | 24 |
| 60 | 5 | FD6 | 250A | 100VA | 60AA (4) | 60BB (4) | 60CC (4) | 10580 | 36 |
| 75 | | JD6 | 400A | 100VA | 75AA (4) | 75BB (4) | 75CC (4) | 10580 | 36 |
| 100 | | JD6 | 400A | 100VA | 100AA (4) | 100BB (4) | 100CC (4) | 10580 | 36 |

Example : **50HP Motor with H-O-A Control and Lights :**
5642B-FVNR-50BL @ \$5,840 List

- (1) Standard configurations are for magnetic-only type circuit breaker combination starters. Thermal-magnetic breakers can be supplied as a custom option with associated price adder.
- (2) Standard configurations include control power transformers with VA ratings as listed. Higher VA ratings are available as custom options with associated price adders.
- (3) Dual FVNR size one starters are available in an 18 inch unit at double the list price.
- (4) Size five starters utilize vacuum contactors with 230V Coils and 115V interposing relays (See diagrams).
- (5) All standard configurations use 115VAC control circuits. Three (3) standard control types are available :

| | | |
|----------|------------------|----------------|
| A & AA - | No local control | (N/A) |
| B & BB - | Selector Switch | (H-O-A) |
| C & CC - | Push Button | (Start / Stop) |

Two (2) status lights can be provided as indicated on drawings by adding an "L" to the end of the catalog number and incorporating associated price adder (\$340). All lights are full voltage type.

Any other control configuration is considered non-standard and will require price adder.

Pricing Tables

FVR Starter Selection Table - 230V Circuit Breaker Combination

Catalog Number Prefix : **5642B-FVR-** (suffix 1)

| Horse-power | NEMA Size | Circuit Breaker (1) | | CPT Size (2) | Catalog (Suffix 1) by Control Diagram (4) | | | List Price | Height (Inches) |
|-------------|-----------|---------------------|--------|--------------|---|--------|--------|------------|-----------------|
| | | Frame | Rating | | FVR-A | FVR-B | FVR-C | | |
| 1/4 | 1 | ED6 | 2A | 100VA | 1/4A | 1/4B | 1/4C | 2650 | 18 (3) |
| 1/3 | | ED6 | 2A | 100VA | 1/3A | 1/3B | 1/3C | 2650 | 18 (3) |
| 1/2 | | ED6 | 3A | 100VA | 1/2A | 1/2B | 1/2C | 2650 | 18 (3) |
| 3/4 | | ED6 | 5A | 100VA | 3/4A | 3/4B | 3/4C | 2650 | 18 (3) |
| 1 | | ED6 | 5A | 100VA | 1A | 1B | 1C | 2650 | 18 (3) |
| 1-1/2 | | ED6 | 10A | 100VA | 1-1/2A | 1-1/2B | 1-1/2C | 2650 | 18 (3) |
| 2 | | ED6 | 10A | 100VA | 2A | 2B | 2C | 2650 | 18 (3) |
| 3 | | ED6 | 25A | 100VA | 3A | 3B | 3C | 2650 | 18 (3) |
| 5 | | ED6 | 30A | 100VA | 5A | 5B | 5C | 2650 | 18 (3) |
| 7-1/2 | | ED6 | 40A | 100VA | 7-1/2A | 7-1/2B | 7-1/2C | 2650 | 18 (3) |
| 10 | 2 | ED6 | 50A | 100VA | 10A | 10B | 10C | 3250 | 18 (3) |
| 15 | | ED6 | 50A | 100VA | 15A | 15B | 15C | 3250 | 18 (3) |
| 20 | 3 | ED6 | 100A | 150VA | 20A | 20B | 20C | 4710 | 30 |
| 25 | | ED6 | 125A | 150VA | 25A | 25B | 25C | 4710 | 30 |
| 30 | | ED6 | 125A | 150VA | 30A | 30B | 30C | 4710 | 30 |
| 40 | 4 | FD6 | 250A | 200VA | 40A | 40B | 40C | 8080 | 36 |
| 50 | | FD6 | 250A | 200VA | 50A | 50B | 50C | 8080 | 36 |

Example : **7-1/2HP Motor with Push Button Control :**
5642B-FVR-7-1/2C @ \$2,650 List

- (1) Standard configurations are for magnetic-only type circuit breaker combination starters. Thermal-magnetic breakers can be supplied as a custom option with associated price adder.
- (2) Standard configurations include control power transformers with VA ratings as listed. Higher VA ratings are available as custom options with associated price adders.
- (3) Optional 12" compact unit is available at no additional cost.
- (4) All standard configurations use 115VAC control circuits. Three (3) standard control types are available :

| | | |
|-----|------------------|--------------------|
| A - | No local control | (N/A) |
| B - | Selector Switch | (F-O-R) |
| C - | Push Button | (Fwd / Rev / Stop) |

Three (3) status lights can be provided as indicated on drawings by adding an "L" to the end of the catalog number and incorporating associated price adder (\$510). All lights are full voltage type. NOTE : Indicating lights are not available with push button option "C" due to four device maximum.

Any other control configuration is considered non-standard and will require price adder.

Pricing Tables

2S1W Starter Selection Table - 230V Circuit Breaker Combination

Constant Torque (CT) or Variable Torque (VT) Only

Catalog Number Prefix : 5642B-2S1W ___ - (suffix1)

| Horse-power | NEMA Size | Circuit Breaker (1) | | CPT Size (2) | Catalog (Suffix 1) by Control Diagram (4) | | | List Price | Height (Inches) |
|-------------|-----------|---------------------|--------|--------------|---|--------|--------|------------|-----------------|
| | | Frame | Rating | | 2S1W-A | 2S1W-B | 2S1W-C | | |
| 1/4 | 1 | ED6 | 2A | 100VA | 1/4A | 1/4B | 1/4C | 3195 | 24 (3) |
| 1/3 | | ED6 | 2A | 100VA | 1/3A | 1/3B | 1/3C | 3195 | 24 (3) |
| 1/2 | | ED6 | 3A | 100VA | 1/2A | 1/2B | 1/2C | 3195 | 24 (3) |
| 3/4 | | ED6 | 5A | 100VA | 3/4A | 3/4B | 3/4C | 3195 | 24 (3) |
| 1 | | ED6 | 5A | 100VA | 1A | 1B | 1C | 3195 | 24 (3) |
| 1-1/2 | | ED6 | 10A | 100VA | 1-1/2A | 1-1/2B | 1-1/2C | 3195 | 24 (3) |
| 2 | | ED6 | 10A | 100VA | 2A | 2B | 2C | 3195 | 24 (3) |
| 3 | | ED6 | 25A | 100VA | 3A | 3B | 3C | 3195 | 24 (3) |
| 5 | | ED6 | 30A | 100VA | 5A | 5B | 5C | 3195 | 24 (3) |
| 7-1/2 | | ED6 | 40A | 100VA | 7-1/2A | 7-1/2B | 7-1/2C | 3195 | 24 (3) |
| 10 | 2 | ED6 | 50A | 100VA | 10A | 10B | 10C | 4400 | 24 (3) |
| 15 | | ED6 | 50A | 100VA | 15A | 15B | 15C | 4400 | 24 (3) |

Example : **2HP Variable Torque Motor with No Local Control :**
5642B-2S1WVT-2A @ \$3,195 List

- (1) Standard configurations are for magnetic-only type circuit breaker combination starters. Thermal-magnetic breakers can be supplied as a custom option with associated price adder.
- (2) Standard configurations include control power transformers with VA ratings as listed. Higher VA ratings are available as custom options with associated price adders.
- (3) Optional 18" compact unit is available at no additional cost.
- (4) All standard configurations use 115VAC control circuits. Three (3) standard control types are available :

| | | |
|-----|------------------|---------------------|
| A - | No local control | (N/A) |
| B - | Selector Switch | (H-L-O-A) |
| C - | Push Button | (High / Low / Stop) |

Three (3) status lights can be provided as indicated on drawings by adding an "L" to the end of the catalog number and incorporating associated price adder (\$510). All lights are full voltage type. NOTE : Indicating lights are not available with push button option "C" due to four device maximum.

Any other control configuration is considered non-standard and will require price adder.

Pricing Tables

2S2W Starter Selection Table - 230V Circuit Breaker Combination

Constant Torque (CT) or Variable Torque (VT) Only

Catalog Number Prefix : 5642B-2S2W ___ - (suffix1)

| Horse-power | NEMA Size | Circuit Breaker (1) | | CPT Size (2) | Catalog (Suffix 1) by Control Diagram (4) | | | List Price | Height (Inches) |
|-------------|-----------|---------------------|--------|--------------|---|--------|--------|------------|-----------------|
| | | Frame | Rating | | 2S2W-A | 2S2W-B | 2S2W-C | | |
| 1/4 | 1 | ED6 | 2A | 100VA | 1/4A | 1/4B | 1/4C | 2875 | 18 (3) |
| 1/3 | | ED6 | 2A | 100VA | 1/3A | 1/3B | 1/3C | 2875 | 18 (3) |
| 1/2 | | ED6 | 3A | 100VA | 1/2A | 1/2B | 1/2C | 2875 | 18 (3) |
| 3/4 | | ED6 | 5A | 100VA | 3/4A | 3/4B | 3/4C | 2875 | 18 (3) |
| 1 | | ED6 | 5A | 100VA | 1A | 1B | 1C | 2875 | 18 (3) |
| 1-1/2 | | ED6 | 10A | 100VA | 1-1/2A | 1-1/2B | 1-1/2C | 2875 | 18 (3) |
| 2 | | ED6 | 10A | 100VA | 2A | 2B | 2C | 2875 | 18 (3) |
| 3 | | ED6 | 25A | 100VA | 3A | 3B | 3C | 2875 | 18 (3) |
| 5 | | ED6 | 30A | 100VA | 5A | 5B | 5C | 2875 | 18 (3) |
| 7-1/2 | | ED6 | 40A | 100VA | 7-1/2A | 7-1/2B | 7-1/2C | 2875 | 18 (3) |
| 10 | 2 | ED6 | 50A | 100VA | 10A | 10B | 10C | 4100 | 18 (3) |
| 15 | | ED6 | 50A | 100VA | 15A | 15B | 15C | 4100 | 18 (3) |

Example : **15HP Constant Torque Motor with Switch and Lights :**
5642B-2S2WCT-15BL @ \$4,610 List

- (1) Standard configurations are for magnetic-only type circuit breaker combination starters. Thermal-magnetic breakers can be supplied as a custom option with associated price adder.
- (2) Standard configurations include control power transformers with VA ratings as listed. Higher VA ratings are available as custom options with associated price adders.
- (3) Optional 12" compact unit is available at no additional cost.
- (4) All standard configurations use 115VAC control circuits. Three (3) standard control types are available :

| | | |
|-----|------------------|---------------------|
| A - | No local control | (N/A) |
| B - | Selector Switch | (H-L-O-A) |
| C - | Push Button | (High / Low / Stop) |

Three (3) status lights can be provided as indicated on drawings by adding an "L" to the end of the catalog number and incorporating associated price adder (\$510). All lights are full voltage type.
 NOTE : Indicating lights are not available with push button option "C" due to four device maximum.

Any other control configuration is considered non-standard and will require price adder.

Pricing Tables

FVNR Starter Selection Table - 208V Circuit Breaker Combination

Catalog Number Prefix : **5642A-FVNR-** (suffix 1)

| Horse-power | NEMA Size | Circuit Breaker (1) | | CPT Size (2) | Catalog (Suffix 1) by Control Diagram (5) | | | List Price | Height (Inches) |
|-------------|-----------|---------------------|--------|--------------|---|-----------|-----------|------------|-----------------|
| | | Frame | Rating | | FVNR-A/AA | FVNR-B/BB | FVNR-C/CC | | |
| 1/4 | 1 | ED6 | 2A | 100VA | 1/4A | 1/4B | 1/4C | 1950 | 12 (3) |
| 1/3 | | ED6 | 2A | 100VA | 1/3A | 1/3B | 1/3C | 1950 | 12 (3) |
| 1/2 | | ED6 | 5A | 100VA | 1/2A | 1/2B | 1/2C | 1950 | 12 (3) |
| 3/4 | | ED6 | 5A | 100VA | 3/4A | 3/4B | 3/4C | 1950 | 12 (3) |
| 1 | | ED6 | 10A | 100VA | 1A | 1B | 1C | 1950 | 12 (3) |
| 1-1/2 | | ED6 | 10A | 100VA | 1-1/2A | 1-1/2B | 1-1/2C | 1950 | 12 (3) |
| 2 | | ED6 | 25A | 100VA | 2A | 2B | 2C | 1950 | 12 (3) |
| 3 | | ED6 | 25A | 100VA | 3A | 3B | 3C | 1950 | 12 (3) |
| 5 | | ED6 | 30A | 100VA | 5A | 5B | 5C | 1950 | 12 (3) |
| 7-1/2 | | ED6 | 40A | 100VA | 7-1/2A | 7-1/2B | 7-1/2C | 1950 | 12 (3) |
| 10 | 2 | ED6 | 50A | 100VA | 10A | 10B | 10C | 2250 | 12 |
| 15 | 3 | ED6 | 100A | 150VA | 15A | 15B | 15C | 3200 | 24 |
| 20 | | ED6 | 100A | 150VA | 20A | 20B | 20C | 3200 | 24 |
| 25 | | ED6 | 125A | 150VA | 25A | 25B | 25C | 3200 | 24 |
| 30 | 4 | FD6 | 250A | 200VA | 30A | 30B | 30C | 5500 | 24 |
| 40 | | FD6 | 250A | 200VA | 40A | 40B | 40C | 5500 | 24 |
| 50 | 5 | FD6 | 250A | 100VA | 50AA (4) | 50BB (4) | 50CC (4) | 10580 | 36 |
| 60 | | JD6 | 400A | 100VA | 60AA (4) | 60BB (4) | 60CC (4) | 10580 | 36 |
| 75 | | JD6 | 400A | 100VA | 75AA (4) | 75BB (4) | 75CC (4) | 10580 | 36 |

Example : **50HP Motor with H-O-A Control and Lights :**
5642A-FVNR-50BL @ \$10,920 List

- (1) Standard configurations are for magnetic-only type circuit breaker combination starters. Thermal-magnetic breakers can be supplied as a custom option with associated price adder.
- (2) Standard configurations include control power transformers with VA ratings as listed. Higher VA ratings are available as custom options with associated price adders.
- (3) Dual FVNR size one starters are available in an 18 inch unit at double the list price.
- (4) Size five starters utilize vacuum contactors with 208V Coils and 115V interposing relays (See diagrams).
- (5) All standard configurations use 115VAC control circuits. Three (3) standard control types are available :

| | | |
|----------|------------------|----------------|
| A & AA - | No local control | (N/A) |
| B & BB - | Selector Switch | (H-O-A) |
| C & CC - | Push Button | (Start / Stop) |

Two (2) status lights can be provided as indicated on drawings by adding an "L" to the end of the catalog number and incorporating associated price adder (\$340). All lights are full voltage type.

Any other control configuration is considered non-standard and will require price adder.

Pricing Tables

FVR Starter Selection Table - 208V Circuit Breaker Combination

Catalog Number Prefix :

5642A-FVR-

| |
|------------|
| (suffix 1) |
|------------|

| Horse-power | NEMA Size | Circuit Breaker (1) | | CPT Size (2) | Catalog (Suffix 1) by Control Diagram (4) | | | List Price | Height (Inches) |
|-------------|-----------|---------------------|--------|--------------|---|--------|--------|------------|-----------------|
| | | Frame | Rating | | FVR-A | FVR-B | FVR-C | | |
| 1/4 | 1 | ED6 | 2A | 100VA | 1/4A | 1/4B | 1/4C | 2650 | 18 (3) |
| 1/3 | | ED6 | 2A | 100VA | 1/3A | 1/3B | 1/3C | 2650 | 18 (3) |
| 1/2 | | ED6 | 5A | 100VA | 1/2A | 1/2B | 1/2C | 2650 | 18 (3) |
| 3/4 | | ED6 | 5A | 100VA | 3/4A | 3/4B | 3/4C | 2650 | 18 (3) |
| 1 | | ED6 | 10A | 100VA | 1A | 1B | 1C | 2650 | 18 (3) |
| 1-1/2 | | ED6 | 10A | 100VA | 1-1/2A | 1-1/2B | 1-1/2C | 2650 | 18 (3) |
| 2 | | ED6 | 25A | 100VA | 2A | 2B | 2C | 2650 | 18 (3) |
| 3 | | ED6 | 25A | 100VA | 3A | 3B | 3C | 2650 | 18 (3) |
| 5 | | ED6 | 30A | 100VA | 5A | 5B | 5C | 2650 | 18 (3) |
| 7-1/2 | | ED6 | 40A | 100VA | 7-1/2A | 7-1/2B | 7-1/2C | 2650 | 18 (3) |
| 10 | 2 | ED6 | 50A | 100VA | 10A | 10B | 10C | 3250 | 18 (3) |
| 15 | 3 | ED6 | 100A | 150VA | 15A | 15B | 15C | 4710 | 30 |
| 20 | | ED6 | 100A | 150VA | 20A | 20B | 20C | 4710 | 30 |
| 25 | | ED6 | 125A | 150VA | 25A | 25B | 25C | 4710 | 30 |
| 30 | 4 | FD6 | 250A | 200VA | 30A | 30B | 30C | 8080 | 36 |
| 40 | | FD6 | 250A | 200VA | 40A | 40B | 40C | 8080 | 36 |

Example :

**7-1/2HP Motor with Push Button Control :
5642A-FVR-7-1/2C @ \$2,650 List**

- (1) Standard configurations are for magnetic-only type circuit breaker combination starters. Thermal-magnetic breakers can be supplied as a custom option with associated price adder.
- (2) Standard configurations include control power transformers with VA ratings as listed. Higher VA ratings are available as custom options with associated price adders.
- (3) Optional 12" compact unit is available at no additional cost.
- (4) All standard configurations use 115VAC control circuits. Three (3) standard control types are available :

| | | |
|-----|------------------|--------------------|
| A - | No local control | (N/A) |
| B - | Selector Switch | (F-O-R) |
| C - | Push Button | (Fwd / Rev / Stop) |

Three (3) status lights can be provided as indicated on drawings by adding an "L" to the end of the catalog number and incorporating associated price adder (\$510). All lights are full voltage type. NOTE : Indicating lights are not available with push button option "C" due to four device maximum.

Any other control configuration is considered non-standard and will require price adder.

Pricing Tables

**2S1W Starter Selection Table - 208V Circuit Breaker Combination
Constant Torque (CT) or Variable Torque (VT) Only
Catalog Number Prefix : 5642A-2S1W __ __ - (suffix1)**

| Horse-power | NEMA Size | Circuit Breaker (1) | | CPT Size (2) | Catalog (Suffix 1) by Control Diagram (4) | | | List Price | Height (Inches) |
|-------------|-----------|---------------------|--------|--------------|---|--------|--------|------------|-----------------|
| | | Frame | Rating | | 2S1W-A | 2S1W-B | 2S1W-C | | |
| 1/4 | 1 | ED6 | 2A | 100VA | 1/4A | 1/4B | 1/4C | 3195 | 24 (3) |
| 1/3 | | ED6 | 2A | 100VA | 1/3A | 1/3B | 1/3C | 3195 | 24 (3) |
| 1/2 | | ED6 | 5A | 100VA | 1/2A | 1/2B | 1/2C | 3195 | 24 (3) |
| 3/4 | | ED6 | 5A | 100VA | 3/4A | 3/4B | 3/4C | 3195 | 24 (3) |
| 1 | | ED6 | 10A | 100VA | 1A | 1B | 1C | 3195 | 24 (3) |
| 1-1/2 | | ED6 | 10A | 100VA | 1-1/2A | 1-1/2B | 1-1/2C | 3195 | 24 (3) |
| 2 | | ED6 | 25A | 100VA | 2A | 2B | 2C | 3195 | 24 (3) |
| 3 | | ED6 | 25A | 100VA | 3A | 3B | 3C | 3195 | 24 (3) |
| 5 | | ED6 | 30A | 100VA | 5A | 5B | 5C | 3195 | 24 (3) |
| 7-1/2 | | ED6 | 40A | 100VA | 7-1/2A | 7-1/2B | 7-1/2C | 3195 | 24 (3) |
| 10 | 2 | ED6 | 50A | 100VA | 10A | 10B | 10C | 4400 | 24 (3) |

Example : **2HP Variable Torque Motor with No Local Control :**
5642A-2S1WVT-2A @ \$3,195 List

- (1) Standard configurations are for magnetic-only type circuit breaker combination starters. Thermal-magnetic breakers can be supplied as a custom option with associated price adder.
- (2) Standard configurations include control power transformers with VA ratings as listed. Higher VA ratings are available as custom options with associated price adders.
- (3) Optional 18" compact unit is available at no additional cost.
- (4) All standard configurations use 115VAC control circuits.
Three (3) standard control types are available :

| | | |
|-----|------------------|---------------------|
| A - | No local control | (N/A) |
| B - | Selector Switch | (H-L-O-A) |
| C - | Push Button | (High / Low / Stop) |

Three (3) status lights can be provided as indicated on drawings by adding an "L" to the end of the catalog number and incorporating associated price adder (\$510). All lights are full voltage type.
NOTE : Indicating lights are not available with push button option "C" due to four device maximum.

Any other control configuration is considered non-standard and will require price adder.

Pricing Tables

2S2W Starter Selection Table - 208V Circuit Breaker Combination

Constant Torque (CT) or Variable Torque (VT) Only

Catalog Number Prefix : 5642A-2S2W ___ - (suffix1)

| Horse-power | NEMA Size | Circuit Breaker (1) | | CPT Size (2) | Catalog (Suffix 1) by Control Diagram (4) | | | List Price | Height (Inches) |
|-------------|-----------|---------------------|--------|--------------|---|--------|--------|------------|-----------------|
| | | Frame | Rating | | 2S2W-A | 2S2W-B | 2S2W-C | | |
| 1/4 | 1 | ED6 | 2A | 100VA | 1/4A | 1/4B | 1/4C | 2875 | 18 (3) |
| 1/3 | | ED6 | 2A | 100VA | 1/3A | 1/3B | 1/3C | 2875 | 18 (3) |
| 1/2 | | ED6 | 5A | 100VA | 1/2A | 1/2B | 1/2C | 2875 | 18 (3) |
| 3/4 | | ED6 | 5A | 100VA | 3/4A | 3/4B | 3/4C | 2875 | 18 (3) |
| 1 | | ED6 | 10A | 100VA | 1A | 1B | 1C | 2875 | 18 (3) |
| 1-1/2 | | ED6 | 10A | 100VA | 1-1/2A | 1-1/2B | 1-1/2C | 2875 | 18 (3) |
| 2 | | ED6 | 25A | 100VA | 2A | 2B | 2C | 2875 | 18 (3) |
| 3 | | ED6 | 25A | 100VA | 3A | 3B | 3C | 2875 | 18 (3) |
| 5 | | ED6 | 30A | 100VA | 5A | 5B | 5C | 2875 | 18 (3) |
| 7-1/2 | | ED6 | 40A | 100VA | 7-1/2A | 7-1/2B | 7-1/2C | 2875 | 18 (3) |
| 10 | 2 | ED6 | 50A | 100VA | 10A | 10B | 10C | 4100 | 18 (3) |

Example : **10HP Constant Torque Motor with Switch and Lights :**
5642A-2S2WCT-10BL @ \$4,610 List

- (1) Standard configurations are for magnetic-only type circuit breaker combination starters. Thermal-magnetic breakers can be supplied as a custom option with associated price adder.
- (2) Standard configurations include control power transformers with VA ratings as listed. Higher VA ratings are available as custom options with associated price adders.
- (3) Optional 12" compact unit is available at no additional cost.
- (4) All standard configurations use 115VAC control circuits. Three (3) standard control types are available :

| | | |
|-----|------------------|---------------------|
| A - | No local control | (N/A) |
| B - | Selector Switch | (H-L-O-A) |
| C - | Push Button | (High / Low / Stop) |

Three (3) status lights can be provided as indicated on drawings by adding an "L" to the end of the catalog number and incorporating associated price adder (\$510). All lights are full voltage type.
 NOTE : Indicating lights are not available with push button option "C" due to four device maximum.

Any other control configuration is considered non-standard and will require price adder.

Pricing Tables

FVNR Starter Selection Table - 575V Fusible Combination

Catalog Number Prefix :

5641D-FVNR-

(suffix 1)

| Horse-power | NEMA Size | Fusible Switch (1) | | CPT Size (2) | Catalog (Suffix 1) by Control Diagram (4) | | | List Price | Height (Inches) |
|-------------|-----------|--------------------|-------|--------------|---|--------|--------|------------|-----------------|
| | | Switch | Clips | | FVNR-A | FVNR-B | FVNR-C | | |
| 1/4 | 1 | 30 | 30 | 100VA | 1/4A | 1/4B | 1/4C | 1720 | 12 (3) |
| 1/3 | | 30 | 30 | 100VA | 1/3A | 1/3B | 1/3C | 1720 | 12 (3) |
| 1/2 | | 30 | 30 | 100VA | 1/2A | 1/2B | 1/2C | 1720 | 12 (3) |
| 3/4 | | 30 | 30 | 100VA | 3/4A | 3/4B | 3/4C | 1720 | 12 (3) |
| 1 | | 30 | 30 | 100VA | 1A | 1B | 1C | 1720 | 12 (3) |
| 1-1/2 | | 30 | 30 | 100VA | 1-1/2A | 1-1/2B | 1-1/2C | 1720 | 12 (3) |
| 2 | | 30 | 30 | 100VA | 2A | 2B | 2C | 1720 | 12 (3) |
| 3 | | 30 | 30 | 100VA | 3A | 3B | 3C | 1720 | 12 (3) |
| 5 | | 30 | 30 | 100VA | 5A | 5B | 5C | 1720 | 12 (3) |
| 7-1/2 | | 30 | 30 | 100VA | 7-1/2A | 7-1/2B | 7-1/2C | 1720 | 12 (3) |
| 10 | | 30 | 30 | 100VA | 10A | 10B | 10C | 1720 | 12 (3) |
| 15 | 2 | 60 | 30 | 100VA | 15A | 15B | 15C | 2160 | 12 (3) |
| 20 | | 60 | 30 | 100VA | 20A | 20B | 20C | 2160 | 12 (3) |
| 25 | | 60 | 60 | 100VA | 25A | 25B | 25C | 2160 | 12 (3) |
| 30 | 3 | 100 | 60 | 150VA | 30A | 30B | 30C | 3200 | 24 |
| 40 | | 100 | 60 | 150VA | 40A | 40B | 40C | 3200 | 24 |
| 50 | | 100 | 100 | 150VA | 50A | 50B | 50C | 3200 | 24 |
| 60 | 4 | FD-MCS | 100 | 200VA | 60A | 60B | 60C | 5310 | 36 |
| 75 | | FD-MCS | 100 | 200VA | 75A | 75B | 75C | 5310 | 36 |
| 100 | | FD-MCS | 200 | 200VA | 100A | 100B | 100C | 5310 | 36 |

Example :

**50HP Motor with H-O-A Control and Lights :
5641D-FVNR-50BL @ \$3,540 List**

- (1) Standard configurations are for listed switch and clip sizes only. Fuses are not included. Fuse clips are sized for Class R fuses. Other configurations are available with price adders.
- (2) Standard configurations include control power transformers with VA ratings as listed. Higher VA ratings are available as custom options with associated price adders.
- (3) Dual FVNR size one and two fusible starters are not available.
- (4) All standard configurations use 115VAC control circuits. Three (3) standard control types are available :

| | | |
|-----|------------------|----------------|
| A - | No local control | (N/A) |
| B - | Selector Switch | (H-O-A) |
| C - | Push Button | (Start / Stop) |

Two (2) status lights can be provided as indicated on drawings by adding an "L" to the end of the catalog number and incorporating associated price adder (\$340). All lights are full voltage type.

Any other control configuration is considered non-standard and will require price adder.

Pricing Tables

FVR Starter Selection Table - 575V Fusible Combination

Catalog Number Prefix :

5641D-FVR-

(suffix 1)

| Horse-power | NEMA Size | Fusible Switch (1) | | CPT Size (2) | Catalog (Suffix 1) by Control Diagram (3) | | | List Price | Height (Inches) |
|-------------|-----------|--------------------|-------|--------------|---|--------|--------|------------|-----------------|
| | | Switch | Clips | | FVR-A | FVR-B | FVR-C | | |
| 1/4 | 1 | 30 | 30 | 100VA | 1/4A | 1/4B | 1/4C | 2480 | 18 |
| 1/3 | | 30 | 30 | 100VA | 1/3A | 1/3B | 1/3C | 2480 | 18 |
| 1/2 | | 30 | 30 | 100VA | 1/2A | 1/2B | 1/2C | 2480 | 18 |
| 3/4 | | 30 | 30 | 100VA | 3/4A | 3/4B | 3/4C | 2480 | 18 |
| 1 | | 30 | 30 | 100VA | 1A | 1B | 1C | 2480 | 18 |
| 1-1/2 | | 30 | 30 | 100VA | 1-1/2A | 1-1/2B | 1-1/2C | 2480 | 18 |
| 2 | | 30 | 30 | 100VA | 2A | 2B | 2C | 2480 | 18 |
| 3 | | 30 | 30 | 100VA | 3A | 3B | 3C | 2480 | 18 |
| 5 | | 30 | 30 | 100VA | 5A | 5B | 5C | 2480 | 18 |
| 7-1/2 | | 30 | 30 | 100VA | 7-1/2A | 7-1/2B | 7-1/2C | 2480 | 18 |
| 10 | | 30 | 30 | 100VA | 10A | 10B | 10C | 2480 | 18 |
| 15 | 2 | 60 | 30 | 100VA | 15A | 15B | 15C | 3160 | 18 |
| 20 | | 60 | 30 | 100VA | 20A | 20B | 20C | 3160 | 18 |
| 25 | | 60 | 60 | 100VA | 25A | 25B | 25C | 3160 | 18 |
| 30 | 3 | 100 | 60 | 150VA | 30A | 30B | 30C | 4710 | 36 |
| 40 | | 100 | 60 | 150VA | 40A | 40B | 40C | 4710 | 36 |
| 50 | | 100 | 100 | 150VA | 50A | 50B | 50C | 4710 | 36 |

Example : **7-1/2HP Motor with Push Button Control :**
5641D-FVR-7-1/2C @ \$2,480 List

- (1) Standard configurations are for listed switch and clip sizes only. Fuses are not included. Fuse clips are sized for Class R fuses. Other configurations are available with price adders.
- (2) Standard configurations include control power transformers with VA ratings as listed. Higher VA ratings are available as custom options with associated price adders.
- (3) All standard configurations use 115VAC control circuits. Three (3) standard control types are available :

| | | |
|-----|------------------|--------------------|
| A - | No local control | (N/A) |
| B - | Selector Switch | (F-O-R) |
| C - | Push Button | (Fwd / Rev / Stop) |

Three (3) status lights can be provided as indicated on drawings by adding an "L" to the end of the catalog number and incorporating associated price adder (\$510). All lights are full voltage type. NOTE : Indicating lights are not available with push button option "C" due to four device maximum.

Any other control configuration is considered non-standard and will require price adder.

Pricing Tables

2S1W Starter Selection Table - 575V Fusible Combination

Constant Torque (CT) or Variable Torque (VT) Only

Catalog Number Prefix : 5641D-2S1W ___ - (suffix1)

| Horse-power | NEMA Size | Fusible Switch (1) | | CPT Size (2) | Catalog (Suffix 1) by Control Diagram (3) | | | List Price | Height (Inches) |
|-------------|-----------|--------------------|-------|--------------|---|--------|--------|------------|-----------------|
| | | Switch | Clips | | 2S1W-A | 2S1W-B | 2S1W-C | | |
| 1/4 | 1 | 30 | 30 | 100VA | 1/4A | 1/4B | 1/4C | 3125 | 24 |
| 1/3 | | 30 | 30 | 100VA | 1/3A | 1/3B | 1/3C | 3125 | 24 |
| 1/2 | | 30 | 30 | 100VA | 1/2A | 1/2B | 1/2C | 3125 | 24 |
| 3/4 | | 30 | 30 | 100VA | 3/4A | 3/4B | 3/4C | 3125 | 24 |
| 1 | | 30 | 30 | 100VA | 1A | 1B | 1C | 3125 | 24 |
| 1-1/2 | | 30 | 30 | 100VA | 1-1/2A | 1-1/2B | 1-1/2C | 3125 | 24 |
| 2 | | 30 | 30 | 100VA | 2A | 2B | 2C | 3125 | 24 |
| 3 | | 30 | 30 | 100VA | 3A | 3B | 3C | 3125 | 24 |
| 5 | | 30 | 30 | 100VA | 5A | 5B | 5C | 3125 | 24 |
| 7-1/2 | | 30 | 30 | 100VA | 7-1/2A | 7-1/2B | 7-1/2C | 3125 | 24 |
| 10 | | 30 | 30 | 100VA | 10A | 10B | 10C | 3125 | 24 |
| 15 | 2 | 60 | 30 | 100VA | 15A | 15B | 15C | 4310 | 24 |
| 20 | | 60 | 30 | 100VA | 20A | 20B | 20C | 4310 | 24 |
| 25 | | 60 | 60 | 100VA | 25A | 25B | 25C | 4310 | 24 |

Example : **2HP Variable Torque Motor with No Local Control :**
5641D-2S1WVT-2A @ \$3,125 List

- (1) Standard configurations are for listed switch and clip sizes only. Fuses are not included. Fuse clips are sized for Class R fuses. Other configurations are available with price adders.
- (2) Standard configurations include control power transformers with VA ratings as listed. Higher VA ratings are available as custom options with associated price adders.
- (3) All standard configurations use 115VAC control circuits. Three (3) standard control types are available :

| | | |
|-----|------------------|---------------------|
| A - | No local control | (N/A) |
| B - | Selector Switch | (H-L-O-A) |
| C - | Push Button | (High / Low / Stop) |

Three (3) status lights can be provided as indicated on drawings by adding an "L" to the end of the catalog number and incorporating associated price adder (\$510). All lights are full voltage type. NOTE : Indicating lights are not available with push button option "C" due to four device maximum.

Any other control configuration is considered non-standard and will require price adder.

2S2W Starter Selection Table - 575V Fusible Combination

Constant Torque (CT) or Variable Torque (VT) Only

Catalog Number Prefix : 5641D-2S2W ___ - (suffix1)

| Horse-power | NEMA Size | Fusible Switch (1) | | CPT Size (2) | Catalog (Suffix 1) by Control Diagram (3) | | | List Price | Height (Inches) |
|-------------|-----------|--------------------|-------|--------------|---|--------|--------|------------|-----------------|
| | | Switch | Clips | | 2S2W-A | 2S2W-B | 2S2W-C | | |
| 1/4 | 1 | 30 | 30 | 100VA | 1/4A | 1/4B | 1/4C | 2785 | 18 |
| 1/3 | | 30 | 30 | 100VA | 1/3A | 1/3B | 1/3C | 2785 | 18 |
| 1/2 | | 30 | 30 | 100VA | 1/2A | 1/2B | 1/2C | 2785 | 18 |
| 3/4 | | 30 | 30 | 100VA | 3/4A | 3/4B | 3/4C | 2785 | 18 |
| 1 | | 30 | 30 | 100VA | 1A | 1B | 1C | 2785 | 18 |
| 1-1/2 | | 30 | 30 | 100VA | 1-1/2A | 1-1/2B | 1-1/2C | 2785 | 18 |
| 2 | | 30 | 30 | 100VA | 2A | 2B | 2C | 2785 | 18 |
| 3 | | 30 | 30 | 100VA | 3A | 3B | 3C | 2785 | 18 |
| 5 | | 30 | 30 | 100VA | 5A | 5B | 5C | 2785 | 18 |
| 7-1/2 | | 30 | 30 | 100VA | 7-1/2A | 7-1/2B | 7-1/2C | 2785 | 18 |
| 10 | | 30 | 30 | 100VA | 10A | 10B | 10C | 2785 | 18 |
| 15 | 2 | 60 | 30 | 100VA | 15A | 15B | 15C | 3970 | 18 |
| 20 | | 60 | 30 | 100VA | 20A | 20B | 20C | 3970 | 18 |
| 25 | | 60 | 60 | 100VA | 25A | 25B | 25C | 3970 | 18 |

Example : **25HP Constant Torque Motor with Switch and Lights :**
5641D-2S2WCT-25BL @ \$4,480 List

- (1) Standard configurations are for listed switch and clip sizes only. Fuses are not included. Fuse clips are sized for Class R fuses. Other configurations are available with price adders.
- (2) Standard configurations include control power transformers with VA ratings as listed. Higher VA ratings are available as custom options with associated price adders.
- (3) All standard configurations use 115VAC control circuits. Three (3) standard control types are available :

- A - No local control (N/A)
- B - Selector Switch (H-L-O-A)
- C - Push Button (High / Low / Stop)

Three (3) status lights can be provided as indicated on drawings by adding an "L" to the end of the catalog number and incorporating associated price adder (\$510). All lights are full voltage type.
 NOTE : Indicating lights are not available with push button option "C" due to four device maximum.

Any other control configuration is considered non-standard and will require price adder.

Pricing Tables

FVNR Starter Selection Table - 460V Fusible Combination

Catalog Number Prefix : **5641C-FVNR-** (suffix 1)

| Horsepower | NEMA Size | Fusible Switch (1) | | CPT Size (2) | Catalog (Suffix 1) by Control Diagram (4) | | | List Price | Height (Inches) |
|------------|-----------|--------------------|-------|--------------|---|--------|--------|------------|-----------------|
| | | Switch | Clips | | FVNR-A | FVNR-B | FVNR-C | | |
| 1/4 | 1 | 30 | 30 | 100VA | 1/4A | 1/4B | 1/4C | 1720 | 12 (3) |
| 1/3 | | 30 | 30 | 100VA | 1/3A | 1/3B | 1/3C | 1720 | 12 (3) |
| 1/2 | | 30 | 30 | 100VA | 1/2A | 1/2B | 1/2C | 1720 | 12 (3) |
| 3/4 | | 30 | 30 | 100VA | 3/4A | 3/4B | 3/4C | 1720 | 12 (3) |
| 1 | | 30 | 30 | 100VA | 1A | 1B | 1C | 1720 | 12 (3) |
| 1-1/2 | | 30 | 30 | 100VA | 1-1/2A | 1-1/2B | 1-1/2C | 1720 | 12 (3) |
| 2 | | 30 | 30 | 100VA | 2A | 2B | 2C | 1720 | 12 (3) |
| 3 | | 30 | 30 | 100VA | 3A | 3B | 3C | 1720 | 12 (3) |
| 5 | | 30 | 30 | 100VA | 5A | 5B | 5C | 1720 | 12 (3) |
| 7-1/2 | | 30 | 30 | 100VA | 7-1/2A | 7-1/2B | 7-1/2C | 1720 | 12 (3) |
| 10 | | 30 | 30 | 100VA | 10A | 10B | 10C | 1720 | 12 (3) |
| 15 | 2 | 60 | 60 | 100VA | 15A | 15B | 15C | 2160 | 12 (3) |
| 20 | | 60 | 60 | 100VA | 20A | 20B | 20C | 2160 | 12 (3) |
| 25 | | 60 | 60 | 100VA | 25A | 25B | 25C | 2160 | 12 (3) |
| 30 | 3 | 100 | 60 | 150VA | 30A | 30B | 30C | 3200 | 24 |
| 40 | | 100 | 100 | 150VA | 40A | 40B | 40C | 3200 | 24 |
| 50 | | 100 | 100 | 150VA | 50A | 50B | 50C | 3200 | 24 |
| 60 | 4 | 200 | 200 | 200VA | 60A | 60B | 60C | 5310 | 36 |
| 75 | | 200 | 200 | 200VA | 75A | 75B | 75C | 5310 | 36 |
| 100 | | 200 | 200 | 200VA | 100A | 100B | 100C | 5310 | 36 |

Example : **50HP Motor with H-O-A Control and Lights :**
5641C-FVNR-50BL @ \$3,540 List

- (1) Standard configurations are for listed switch and clip sizes only. Fuses are not included. Fuse clips are sized for Class R fuses. Other configurations are available with price adders.
- (2) Standard configurations include control power transformers with VA ratings as listed. Higher VA ratings are available as custom options with associated price adders.
- (3) Dual FVNR size one and two fusible starters are not available.
- (4) All standard configurations use 115VAC control circuits.
Three (3) standard control types are available :

| | | |
|-----|------------------|----------------|
| A - | No local control | (N/A) |
| B - | Selector Switch | (H-O-A) |
| C - | Push Button | (Start / Stop) |

Two (2) status lights can be provided as indicated on drawings by adding an "L" to the end of the catalog number and incorporating associated price adder (\$340). All lights are full voltage type.

Any other control configuration is considered non-standard and will require price adder.

Pricing Tables

FVR Starter Selection Table - 460V Fusible Combination

Catalog Number Prefix : **5641C-FVR-** (suffix 1)

| Horse-power | NEMA Size | Fusible Switch (1) | | CPT Size (2) | Catalog (Suffix 1) by Control Diagram (3) | | | List Price | Height (Inches) |
|-------------|-----------|--------------------|-------|--------------|---|--------|--------|------------|-----------------|
| | | Switch | Clips | | FVR-A | FVR-B | FVR-C | | |
| 1/4 | 1 | 30 | 30 | 100VA | 1/4A | 1/4B | 1/4C | 2480 | 18 |
| 1/3 | | 30 | 30 | 100VA | 1/3A | 1/3B | 1/3C | 2480 | 18 |
| 1/2 | | 30 | 30 | 100VA | 1/2A | 1/2B | 1/2C | 2480 | 18 |
| 3/4 | | 30 | 30 | 100VA | 3/4A | 3/4B | 3/4C | 2480 | 18 |
| 1 | | 30 | 30 | 100VA | 1A | 1B | 1C | 2480 | 18 |
| 1-1/2 | | 30 | 30 | 100VA | 1-1/2A | 1-1/2B | 1-1/2C | 2480 | 18 |
| 2 | | 30 | 30 | 100VA | 2A | 2B | 2C | 2480 | 18 |
| 3 | | 30 | 30 | 100VA | 3A | 3B | 3C | 2480 | 18 |
| 5 | | 30 | 30 | 100VA | 5A | 5B | 5C | 2480 | 18 |
| 7-1/2 | | 30 | 30 | 100VA | 7-1/2A | 7-1/2B | 7-1/2C | 2480 | 18 |
| 10 | 2 | 30 | 30 | 100VA | 10A | 10B | 10C | 2480 | 18 |
| 15 | | 60 | 60 | 100VA | 15A | 15B | 15C | 3160 | 18 |
| 20 | | 60 | 60 | 100VA | 20A | 20B | 20C | 3160 | 18 |
| 25 | | 60 | 60 | 100VA | 25A | 25B | 25C | 3160 | 18 |
| 30 | 3 | 100 | 60 | 150VA | 30A | 30B | 30C | 4710 | 36 |
| 40 | | 100 | 100 | 150VA | 40A | 40B | 40C | 4710 | 36 |
| 50 | | 100 | 100 | 150VA | 50A | 50B | 50C | 4710 | 36 |

Example : **7-1/2HP Motor with Push Button Control :**
5641C-FVR-7-1/2C @ \$2,480 List

- (1) Standard configurations are for listed switch and clip sizes only. Fuses are not included. Fuse clips are sized for Class R fuses. Other configurations are available with price adders.
- (2) Standard configurations include control power transformers with VA ratings as listed. Higher VA ratings are available as custom options with associated price adders.
- (3) All standard configurations use 115VAC control circuits. Three (3) standard control types are available :

| | | |
|-----|------------------|--------------------|
| A - | No local control | (N/A) |
| B - | Selector Switch | (F-O-R) |
| C - | Push Button | (Fwd / Rev / Stop) |

Three (3) status lights can be provided as indicated on drawings by adding an "L" to the end of the catalog number and incorporating associated price adder (\$510). All lights are full voltage type.
 NOTE : Indicating lights are not available with push button option "C" due to four device maximum.

Any other control configuration is considered non-standard and will require price adder.

Pricing Tables

2S1W Starter Selection Table - 460V Fusible Combination

Constant Torque (CT) or Variable Torque (VT) Only

Catalog Number Prefix : 5641C-2S1W ___ - (suffix1)

| Horse-power | NEMA Size | Fusible Switch (1) | | CPT Size (2) | Catalog (Suffix 1) by Control Diagram (3) | | | List Price | Height (Inches) |
|-------------|-----------|--------------------|-------|--------------|---|--------|--------|------------|-----------------|
| | | Switch | Clips | | 2S1W-A | 2S1W-B | 2S1W-C | | |
| 1/4 | 1 | 30 | 30 | 100VA | 1/4A | 1/4B | 1/4C | 3125 | 24 |
| 1/3 | | 30 | 30 | 100VA | 1/3A | 1/3B | 1/3C | 3125 | 24 |
| 1/2 | | 30 | 30 | 100VA | 1/2A | 1/2B | 1/2C | 3125 | 24 |
| 3/4 | | 30 | 30 | 100VA | 3/4A | 3/4B | 3/4C | 3125 | 24 |
| 1 | | 30 | 30 | 100VA | 1A | 1B | 1C | 3125 | 24 |
| 1-1/2 | | 30 | 30 | 100VA | 1-1/2A | 1-1/2B | 1-1/2C | 3125 | 24 |
| 2 | | 30 | 30 | 100VA | 2A | 2B | 2C | 3125 | 24 |
| 3 | | 30 | 30 | 100VA | 3A | 3B | 3C | 3125 | 24 |
| 5 | | 30 | 30 | 100VA | 5A | 5B | 5C | 3125 | 24 |
| 7-1/2 | | 30 | 30 | 100VA | 7-1/2A | 7-1/2B | 7-1/2C | 3125 | 24 |
| 10 | 2 | 30 | 30 | 100VA | 10A | 10B | 10C | 3125 | 24 |
| 15 | | 60 | 60 | 100VA | 15A | 15B | 15C | 4310 | 24 |
| 20 | | 60 | 60 | 100VA | 20A | 20B | 20C | 4310 | 24 |
| 25 | | 60 | 60 | 100VA | 25A | 25B | 25C | 4310 | 24 |

Example : **2HP Variable Torque Motor with No Local Control :**
5641C-2S1WVT-2A @ \$3,125 List

- (1) Standard configurations are for listed switch and clip sizes only. Fuses are not included. Fuse clips are sized for Class R fuses. Other configurations are available with price adders.
- (2) Standard configurations include control power transformers with VA ratings as listed. Higher VA ratings are available as custom options with associated price adders.
- (3) All standard configurations use 115VAC control circuits. Three (3) standard control types are available :

| | | |
|-----|------------------|---------------------|
| A - | No local control | (N/A) |
| B - | Selector Switch | (H-L-O-A) |
| C - | Push Button | (High / Low / Stop) |

Three (3) status lights can be provided as indicated on drawings by adding an "L" to the end of the catalog number and incorporating associated price adder (\$510). All lights are full voltage type. NOTE : Indicating lights are not available with push button option "C" due to four device maximum.

Any other control configuration is considered non-standard and will require price adder.

Pricing Tables

2S2W Starter Selection Table - 460V Fusible Combination

Constant Torque (CT) or Variable Torque (VT) Only

Catalog Number Prefix : 5641C-2S2W ___ - (suffix1)

| Horse-power | NEMA Size | Fusible Switch (1) | | CPT Size (2) | Catalog (Suffix 1) by Control Diagram (3) | | | List Price | Height (Inches) |
|-------------|-----------|--------------------|-------|--------------|---|--------|--------|------------|-----------------|
| | | Switch | Clips | | 2S2W-A | 2S2W-B | 2S2W-C | | |
| 1/4 | 1 | 30 | 30 | 100VA | 1/4A | 1/4B | 1/4C | 2785 | 18 |
| 1/3 | | 30 | 30 | 100VA | 1/3A | 1/3B | 1/3C | 2785 | 18 |
| 1/2 | | 30 | 30 | 100VA | 1/2A | 1/2B | 1/2C | 2785 | 18 |
| 3/4 | | 30 | 30 | 100VA | 3/4A | 3/4B | 3/4C | 2785 | 18 |
| 1 | | 30 | 30 | 100VA | 1A | 1B | 1C | 2785 | 18 |
| 1-1/2 | | 30 | 30 | 100VA | 1-1/2A | 1-1/2B | 1-1/2C | 2785 | 18 |
| 2 | | 30 | 30 | 100VA | 2A | 2B | 2C | 2785 | 18 |
| 3 | | 30 | 30 | 100VA | 3A | 3B | 3C | 2785 | 18 |
| 5 | | 30 | 30 | 100VA | 5A | 5B | 5C | 2785 | 18 |
| 7-1/2 | | 30 | 30 | 100VA | 7-1/2A | 7-1/2B | 7-1/2C | 2785 | 18 |
| 10 | 2 | 30 | 30 | 100VA | 10A | 10B | 10C | 2785 | 18 |
| 15 | | 60 | 60 | 100VA | 15A | 15B | 15C | 3970 | 18 |
| 20 | | 60 | 60 | 100VA | 20A | 20B | 20C | 3970 | 18 |
| 25 | | 60 | 60 | 100VA | 25A | 25B | 25C | 3970 | 18 |

Example : **25HP Constant Torque Motor with Switch and Lights :**
5641C-2S2WCT-25BL @ \$4,480 List

- (1) Standard configurations are for listed switch and clip sizes only. Fuses are not included. Fuse clips are sized for Class R fuses. Other configurations are available with price adders.
- (2) Standard configurations include control power transformers with VA ratings as listed. Higher VA ratings are available as custom options with associated price adders.
- (3) All standard configurations use 115VAC control circuits. Three (3) standard control types are available :

| | | |
|-----|------------------|---------------------|
| A - | No local control | (N/A) |
| B - | Selector Switch | (H-L-O-A) |
| C - | Push Button | (High / Low / Stop) |

Three (3) status lights can be provided as indicated on drawings by adding an "L" to the end of the catalog number and incorporating associated price adder (\$510). All lights are full voltage type.
 NOTE : Indicating lights are not available with push button option "C" due to four device maximum.

Any other control configuration is considered non-standard and will require price adder.

Pricing Tables

FVNR Starter Selection Table - 230V Fusible Combination

Catalog Number Prefix : **5641B-FVNR-** (suffix 1)

| Horse-power | NEMA Size | Fusible Switch (1) | | CPT Size (2) | Catalog (Suffix 1) by Control Diagram (4) | | | List Price | Height (Inches) |
|-------------|-----------|--------------------|-------|--------------|---|--------|--------|------------|-----------------|
| | | Switch | Clips | | FVNR-A | FVNR-B | FVNR-C | | |
| 1/4 | 1 | 30 | 30 | 100VA | 1/4A | 1/4B | 1/4C | 1720 | 12 (3) |
| 1/3 | | 30 | 30 | 100VA | 1/3A | 1/3B | 1/3C | 1720 | 12 (3) |
| 1/2 | | 30 | 30 | 100VA | 1/2A | 1/2B | 1/2C | 1720 | 12 (3) |
| 3/4 | | 30 | 30 | 100VA | 3/4A | 3/4B | 3/4C | 1720 | 12 (3) |
| 1 | | 30 | 30 | 100VA | 1A | 1B | 1C | 1720 | 12 (3) |
| 1-1/2 | | 30 | 30 | 100VA | 1-1/2A | 1-1/2B | 1-1/2C | 1720 | 12 (3) |
| 2 | | 30 | 30 | 100VA | 2A | 2B | 2C | 1720 | 12 (3) |
| 3 | | 30 | 30 | 100VA | 3A | 3B | 3C | 1720 | 12 (3) |
| 5 | | 30 | 30 | 100VA | 5A | 5B | 5C | 1720 | 12 (3) |
| 7-1/2 | | 30 | 30 | 100VA | 7-1/2A | 7-1/2B | 7-1/2C | 1720 | 12 (3) |
| 10 | 2 | 60 | 60 | 100VA | 10A | 10B | 10C | 2160 | 12 (3) |
| 15 | | 60 | 60 | 100VA | 15A | 15B | 15C | 2160 | 12 (3) |
| 20 | 3 | 100 | 100 | 150VA | 20A | 20B | 20C | 3200 | 24 |
| 25 | | 100 | 100 | 150VA | 25A | 25B | 25C | 3200 | 24 |
| 30 | | 100 | 100 | 150VA | 30A | 30B | 30C | 3200 | 24 |
| 40 | 4 | 200 | 200 | 200VA | 40A | 40B | 40C | 5310 | 36 |
| 50 | | 200 | 200 | 200VA | 50A | 50B | 50C | 5310 | 36 |

Example : **50HP Motor with H-O-A Control and Lights :**
5641B-FVNR-50BL @ \$5,650 List

- (1) Standard configurations are for listed switch and clip sizes only. Fuses are not included. Fuse clips are sized for Class R fuses. Other configurations are available with price adders.
- (2) Standard configurations include control power transformers with VA ratings as listed. Higher VA ratings are available as custom options with associated price adders.
- (3) Dual FVNR size one and two fusible starters are not available.
- (4) All standard configurations use 115VAC control circuits. Three (3) standard control types are available :

| | | |
|-----|------------------|----------------|
| A - | No local control | (N/A) |
| B - | Selector Switch | (H-O-A) |
| C - | Push Button | (Start / Stop) |

Two (2) status lights can be provided as indicated on drawings by adding an "L" to the end of the catalog number and incorporating associated price adder (\$340). All lights are full voltage type.

Any other control configuration is considered non-standard and will require price adder.

Pricing Tables

FVR Starter Selection Table - 230V Fusible Combination

Catalog Number Prefix :

5641B-FVR-

| |
|-------------------|
| <i>(suffix 1)</i> |
|-------------------|

| Horse-power | NEMA Size | Fusible Switch (1) | | CPT Size (2) | Catalog (Suffix 1) by Control Diagram (3) | | | List Price | Height (Inches) |
|-------------|-----------|--------------------|-------|--------------|---|--------|--------|------------|-----------------|
| | | Switch | Clips | | FVR-A | FVR-B | FVR-C | | |
| 1/4 | 1 | 30 | 30 | 100VA | 1/4A | 1/4B | 1/4C | 2480 | 18 |
| 1/3 | | 30 | 30 | 100VA | 1/3A | 1/3B | 1/3C | 2480 | 18 |
| 1/2 | | 30 | 30 | 100VA | 1/2A | 1/2B | 1/2C | 2480 | 18 |
| 3/4 | | 30 | 30 | 100VA | 3/4A | 3/4B | 3/4C | 2480 | 18 |
| 1 | | 30 | 30 | 100VA | 1A | 1B | 1C | 2480 | 18 |
| 1-1/2 | | 30 | 30 | 100VA | 1-1/2A | 1-1/2B | 1-1/2C | 2480 | 18 |
| 2 | | 30 | 30 | 100VA | 2A | 2B | 2C | 2480 | 18 |
| 3 | | 30 | 30 | 100VA | 3A | 3B | 3C | 2480 | 18 |
| 5 | | 30 | 30 | 100VA | 5A | 5B | 5C | 2480 | 18 |
| 7-1/2 | | 30 | 30 | 100VA | 7-1/2A | 7-1/2B | 7-1/2C | 2480 | 18 |
| 10 | 2 | 60 | 60 | 100VA | 10A | 10B | 10C | 3160 | 18 |
| 15 | | 60 | 60 | 100VA | 15A | 15B | 15C | 3160 | 18 |
| 20 | 3 | 100 | 100 | 150VA | 20A | 20B | 20C | 4710 | 36 |
| 25 | | 100 | 100 | 150VA | 25A | 25B | 25C | 4710 | 36 |
| 30 | | 100 | 100 | 150VA | 30A | 30B | 30C | 4710 | 36 |

Example : **7-1/2HP Motor with Push Button Control :**
5641B-FVR-7-1/2C @ \$2,480 List

- (1) Standard configurations are for listed switch and clip sizes only. Fuses are not included. Fuse clips are sized for Class R fuses. Other configurations are available with price adders.
- (2) Standard configurations include control power transformers with VA ratings as listed. Higher VA ratings are available as custom options with associated price adders.
- (3) All standard configurations use 115VAC control circuits.
Three (3) standard control types are available :

| | | |
|-----|------------------|--------------------|
| A - | No local control | (N/A) |
| B - | Selector Switch | (F-O-R) |
| C - | Push Button | (Fwd / Rev / Stop) |

Three (3) status lights can be provided as indicated on drawings by adding an "L" to the end of the catalog number and incorporating associated price adder (\$510). All lights are full voltage type.
 NOTE : Indicating lights are not available with push button option "C" due to four device maximum.

Any other control configuration is considered non-standard and will require price adder.

Pricing Tables

2S1W Starter Selection Table - 230V Fusible Combination Constant Torque (CT) or Variable Torque (VT) Only

Catalog Number Prefix : 5641B-2S1W ___ - (suffix1)

| Horse-power | NEMA Size | Fusible Switch (1) | | CPT Size (2) | Catalog (Suffix 1) by Control Diagram (3) | | | List Price | Height (Inches) |
|-------------|-----------|--------------------|-------|--------------|---|--------|--------|------------|-----------------|
| | | Switch | Clips | | 2S1W-A | 2S1W-B | 2S1W-C | | |
| 1/4 | 1 | 30 | 30 | 100VA | 1/4A | 1/4B | 1/4C | 3125 | 24 |
| 1/3 | | 30 | 30 | 100VA | 1/3A | 1/3B | 1/3C | 3125 | 24 |
| 1/2 | | 30 | 30 | 100VA | 1/2A | 1/2B | 1/2C | 3125 | 24 |
| 3/4 | | 30 | 30 | 100VA | 3/4A | 3/4B | 3/4C | 3125 | 24 |
| 1 | | 30 | 30 | 100VA | 1A | 1B | 1C | 3125 | 24 |
| 1-1/2 | | 30 | 30 | 100VA | 1-1/2A | 1-1/2B | 1-1/2C | 3125 | 24 |
| 2 | | 30 | 30 | 100VA | 2A | 2B | 2C | 3125 | 24 |
| 3 | | 30 | 30 | 100VA | 3A | 3B | 3C | 3125 | 24 |
| 5 | | 30 | 30 | 100VA | 5A | 5B | 5C | 3125 | 24 |
| 7-1/2 | | 30 | 30 | 100VA | 7-1/2A | 7-1/2B | 7-1/2C | 3125 | 24 |
| 10 | 2 | 60 | 60 | 100VA | 10A | 10B | 10C | 4310 | 24 |
| 15 | | 60 | 60 | 100VA | 15A | 15B | 15C | 4310 | 24 |

Example : **2HP Variable Torque Motor with No Local Control :**
5641B-2S1WVT-2A @ \$3,125 List

- (1) Standard configurations are for listed switch and clip sizes only. Fuses are not included. Fuse clips are sized for Class R fuses. Other configurations are available with price adders.
- (2) Standard configurations include control power transformers with VA ratings as listed. Higher VA ratings are available as custom options with associated price adders.
- (3) All standard configurations use 115VAC control circuits.
Three (3) standard control types are available :

| | | |
|-----|------------------|---------------------|
| A - | No local control | (N/A) |
| B - | Selector Switch | (H-L-O-A) |
| C - | Push Button | (High / Low / Stop) |

Three (3) status lights can be provided as indicated on drawings by adding an "L" to the end of the catalog number and incorporating associated price adder (\$510). All lights are full voltage type.
NOTE : Indicating lights are not available with push button option "C" due to four device maximum.

Any other control configuration is considered non-standard and will require price adder.

Pricing Tables

2S2W Starter Selection Table - 230V Fusible Combination

Constant Torque (CT) or Variable Torque (VT) Only

Catalog Number Prefix : 5641B-2S2W ___ - (suffix1)

| Horse-power | NEMA Size | Fusible Switch (1) | | CPT Size (2) | Catalog (Suffix 1) by Control Diagram (3) | | | List Price | Height (Inches) |
|-------------|-----------|--------------------|-------|--------------|---|--------|--------|------------|-----------------|
| | | Switch | Clips | | 2S2W-A | 2S2W-B | 2S2W-C | | |
| 1/4 | 1 | 30 | 30 | 100VA | 1/4A | 1/4B | 1/4C | 2785 | 18 |
| 1/3 | | 30 | 30 | 100VA | 1/3A | 1/3B | 1/3C | 2785 | 18 |
| 1/2 | | 30 | 30 | 100VA | 1/2A | 1/2B | 1/2C | 2785 | 18 |
| 3/4 | | 30 | 30 | 100VA | 3/4A | 3/4B | 3/4C | 2785 | 18 |
| 1 | | 30 | 30 | 100VA | 1A | 1B | 1C | 2785 | 18 |
| 1-1/2 | | 30 | 30 | 100VA | 1-1/2A | 1-1/2B | 1-1/2C | 2785 | 18 |
| 2 | | 30 | 30 | 100VA | 2A | 2B | 2C | 2785 | 18 |
| 3 | | 30 | 30 | 100VA | 3A | 3B | 3C | 2785 | 18 |
| 5 | | 30 | 30 | 100VA | 5A | 5B | 5C | 2785 | 18 |
| 7-1/2 | | 30 | 30 | 100VA | 7-1/2A | 7-1/2B | 7-1/2C | 2785 | 18 |
| 10 | 2 | 60 | 60 | 100VA | 10A | 10B | 10C | 3970 | 18 |
| 15 | | 60 | 60 | 100VA | 15A | 15B | 15C | 3970 | 18 |

Example : **15HP Constant Torque Motor with Switch and Lights :**
5641B-2S2WCT-15BL @ \$4,480 List

- (1) Standard configurations are for listed switch and clip sizes only. Fuses are not included. Fuse clips are sized for Class R fuses. Other configurations are available with price adders.
- (2) Standard configurations include control power transformers with VA ratings as listed. Higher VA ratings are available as custom options with associated price adders.
- (3) All standard configurations use 115VAC control circuits. Three (3) standard control types are available :

| | | |
|-----|------------------|---------------------|
| A - | No local control | (N/A) |
| B - | Selector Switch | (H-L-O-A) |
| C - | Push Button | (High / Low / Stop) |

Three (3) status lights can be provided as indicated on drawings by adding an "L" to the end of the catalog number and incorporating associated price adder (\$510). All lights are full voltage type. NOTE : Indicating lights are not available with push button option "C" due to four device maximum.

Any other control configuration is considered non-standard and will require price adder.

Pricing Tables

FVNR Starter Selection Table - 208V Fusible Combination

Catalog Number Prefix : **5641A-FVNR-** (suffix 1)

| Horse-power | NEMA Size | Fusible Switch (1) | | CPT Size (2) | Catalog (Suffix 1) by Control Diagram (4) | | | List Price | Height (Inches) |
|-------------|-----------|--------------------|-------|--------------|---|--------|--------|------------|-----------------|
| | | Switch | Clips | | FVNR-A | FVNR-B | FVNR-C | | |
| 1/4 | 1 | 30 | 30 | 100VA | 1/4A | 1/4B | 1/4C | 1720 | 12 (3) |
| 1/3 | | 30 | 30 | 100VA | 1/3A | 1/3B | 1/3C | 1720 | 12 (3) |
| 1/2 | | 30 | 30 | 100VA | 1/2A | 1/2B | 1/2C | 1720 | 12 (3) |
| 3/4 | | 30 | 30 | 100VA | 3/4A | 3/4B | 3/4C | 1720 | 12 (3) |
| 1 | | 30 | 30 | 100VA | 1A | 1B | 1C | 1720 | 12 (3) |
| 1-1/2 | | 30 | 30 | 100VA | 1-1/2A | 1-1/2B | 1-1/2C | 1720 | 12 (3) |
| 2 | | 30 | 30 | 100VA | 2A | 2B | 2C | 1720 | 12 (3) |
| 3 | | 30 | 30 | 100VA | 3A | 3B | 3C | 1720 | 12 (3) |
| 5 | | 30 | 30 | 100VA | 5A | 5B | 5C | 1720 | 12 (3) |
| 7-1/2 | | 30 | 30 | 100VA | 7-1/2A | 7-1/2B | 7-1/2C | 1720 | 12 (3) |
| 10 | 2 | 60 | 60 | 100VA | 10A | 10B | 10C | 2160 | 12 (3) |
| 15 | 3 | 100 | 60 | 150VA | 15A | 15B | 15C | 3200 | 24 |
| 20 | | 100 | 100 | 150VA | 20A | 20B | 20C | 3200 | 24 |
| 25 | | 100 | 100 | 150VA | 25A | 25B | 25C | 3200 | 24 |
| 30 | 4 | 200 | 200 | 200VA | 30A | 30B | 30C | 5310 | 36 |
| 40 | | 200 | 200 | 200VA | 40A | 40B | 40C | 5310 | 36 |

Example : **40HP Motor with H-O-A Control and Lights :**
5641A-FVNR-40BL @ \$5,650 List

- (1) Standard configurations are for listed switch and clip sizes only. Fuses are not included. Fuse clips are sized for Class R fuses. Other configurations are available with price adders.
- (2) Standard configurations include control power transformers with VA ratings as listed. Higher VA ratings are available as custom options with associated price adders.
- (3) Dual FVNR size one and two fusible starters are not available.
- (4) All standard configurations use 115VAC control circuits.
Three (3) standard control types are available :

| | | |
|-----|------------------|----------------|
| A - | No local control | (N/A) |
| B - | Selector Switch | (H-O-A) |
| C - | Push Button | (Start / Stop) |

Two (2) status lights can be provided as indicated on drawings by adding an "L" to the end of the catalog number and incorporating associated price adder (\$340). All lights are full voltage type.

Any other control configuration is considered non-standard and will require price adder.

Pricing Tables

FVR Starter Selection Table - 208V Fusible Combination

Catalog Number Prefix : **5641A-FVR-** (suffix 1)

| Horse-power | NEMA Size | Fusible Switch (1) | | CPT Size (2) | Catalog (Suffix 1) by Control Diagram (3) | | | List Price | Height (Inches) |
|-------------|-----------|--------------------|-------|--------------|---|--------|--------|------------|-----------------|
| | | Switch | Clips | | FVR-A | FVR-B | FVR-C | | |
| 1/4 | 1 | 30 | 30 | 100VA | 1/4A | 1/4B | 1/4C | 2480 | 18 |
| 1/3 | | 30 | 30 | 100VA | 1/3A | 1/3B | 1/3C | 2480 | 18 |
| 1/2 | | 30 | 30 | 100VA | 1/2A | 1/2B | 1/2C | 2480 | 18 |
| 3/4 | | 30 | 30 | 100VA | 3/4A | 3/4B | 3/4C | 2480 | 18 |
| 1 | | 30 | 30 | 100VA | 1A | 1B | 1C | 2480 | 18 |
| 1-1/2 | | 30 | 30 | 100VA | 1-1/2A | 1-1/2B | 1-1/2C | 2480 | 18 |
| 2 | | 30 | 30 | 100VA | 2A | 2B | 2C | 2480 | 18 |
| 3 | | 30 | 30 | 100VA | 3A | 3B | 3C | 2480 | 18 |
| 5 | | 30 | 30 | 100VA | 5A | 5B | 5C | 2480 | 18 |
| 7-1/2 | | 30 | 30 | 100VA | 7-1/2A | 7-1/2B | 7-1/2C | 2480 | 18 |
| 10 | 2 | 60 | 60 | 100VA | 10A | 10B | 10C | 3160 | 18 |
| 15 | 3 | 100 | 60 | 150VA | 15A | 15B | 15C | 4710 | 36 |
| 20 | | 100 | 100 | 150VA | 20A | 20B | 20C | 4710 | 36 |
| 25 | | 100 | 100 | 150VA | 25A | 25B | 25C | 4710 | 36 |

Example : **7-1/2HP Motor with Push Button Control :**
5641A-FVR-7-1/2C @ \$2,480 List

- (1) Standard configurations are for listed switch and clip sizes only. Fuses are not included. Fuse clips are sized for Class R fuses. Other configurations are available with price adders.
- (2) Standard configurations include control power transformers with VA ratings as listed. Higher VA ratings are available as custom options with associated price adders.
- (3) All standard configurations use 115VAC control circuits. Three (3) standard control types are available :

| | | |
|-----|------------------|--------------------|
| A - | No local control | (N/A) |
| B - | Selector Switch | (F-O-R) |
| C - | Push Button | (Fwd / Rev / Stop) |

Three (3) status lights can be provided as indicated on drawings by adding an "L" to the end of the catalog number and incorporating associated price adder (\$510). All lights are full voltage type. NOTE : Indicating lights are not available with push button option "C" due to four device maximum.

Any other control configuration is considered non-standard and will require price adder.

Pricing Tables

2S1W Starter Selection Table - 208V Fusible Combination

Constant Torque (CT) or Variable Torque (VT) Only

Catalog Number Prefix : 5641A-2S1W ___ - (suffix1)

| Horse-power | NEMA Size | Fusible Switch (1) | | CPT Size (2) | Catalog (Suffix 1) by Control Diagram (3) | | | List Price | Height (Inches) |
|-------------|-----------|--------------------|-------|--------------|---|--------|--------|------------|-----------------|
| | | Switch | Clips | | 2S1W-A | 2S1W-B | 2S1W-C | | |
| 1/4 | 1 | 30 | 30 | 100VA | 1/4A | 1/4B | 1/4C | 3125 | 24 |
| 1/3 | | 30 | 30 | 100VA | 1/3A | 1/3B | 1/3C | 3125 | 24 |
| 1/2 | | 30 | 30 | 100VA | 1/2A | 1/2B | 1/2C | 3125 | 24 |
| 3/4 | | 30 | 30 | 100VA | 3/4A | 3/4B | 3/4C | 3125 | 24 |
| 1 | | 30 | 30 | 100VA | 1A | 1B | 1C | 3125 | 24 |
| 1-1/2 | | 30 | 30 | 100VA | 1-1/2A | 1-1/2B | 1-1/2C | 3125 | 24 |
| 2 | | 30 | 30 | 100VA | 2A | 2B | 2C | 3125 | 24 |
| 3 | | 30 | 30 | 100VA | 3A | 3B | 3C | 3125 | 24 |
| 5 | | 30 | 30 | 100VA | 5A | 5B | 5C | 3125 | 24 |
| 7-1/2 | | 30 | 30 | 100VA | 7-1/2A | 7-1/2B | 7-1/2C | 3125 | 24 |
| 10 | 2 | 60 | 60 | 100VA | 10A | 10B | 10C | 4310 | 24 |

Example : **2HP Variable Torque Motor with No Local Control :**
5641A-2S1WVT-2A @ \$3,125 List

- (1) Standard configurations are for listed switch and clip sizes only. Fuses are not included. Fuse clips are sized for Class R fuses. Other configurations are available with price adders.
- (2) Standard configurations include control power transformers with VA ratings as listed. Higher VA ratings are available as custom options with associated price adders.
- (3) All standard configurations use 115VAC control circuits.
Three (3) standard control types are available :

| | | |
|-----|------------------|---------------------|
| A - | No local control | (N/A) |
| B - | Selector Switch | (H-L-O-A) |
| C - | Push Button | (High / Low / Stop) |

Three (3) status lights can be provided as indicated on drawings by adding an "L" to the end of the catalog number and incorporating associated price adder (\$510). All lights are full voltage type.
 NOTE : Indicating lights are not available with push button option "C" due to four device maximum.

Any other control configuration is considered non-standard and will require price adder.

2S2W Starter Selection Table - 208V Fusible Combination

Constant Torque (CT) or Variable Torque (VT) Only

Catalog Number Prefix : 5641A-2S2W __ __ - (suffix1)

| Horse-power | NEMA Size | Fusible Switch (1) | | CPT Size (2) | Catalog (Suffix 1) by Control Diagram (3) | | | List Price | Height (Inches) |
|-------------|-----------|--------------------|-------|--------------|---|--------|--------|------------|-----------------|
| | | Switch | Clips | | 2S2W-A | 2S2W-B | 2S2W-C | | |
| 1/4 | 1 | 30 | 30 | 100VA | 1/4A | 1/4B | 1/4C | 2785 | 18 |
| 1/3 | | 30 | 30 | 100VA | 1/3A | 1/3B | 1/3C | 2785 | 18 |
| 1/2 | | 30 | 30 | 100VA | 1/2A | 1/2B | 1/2C | 2785 | 18 |
| 3/4 | | 30 | 30 | 100VA | 3/4A | 3/4B | 3/4C | 2785 | 18 |
| 1 | | 30 | 30 | 100VA | 1A | 1B | 1C | 2785 | 18 |
| 1-1/2 | | 30 | 30 | 100VA | 1-1/2A | 1-1/2B | 1-1/2C | 2785 | 18 |
| 2 | | 30 | 30 | 100VA | 2A | 2B | 2C | 2785 | 18 |
| 3 | | 30 | 30 | 100VA | 3A | 3B | 3C | 2785 | 18 |
| 5 | | 30 | 30 | 100VA | 5A | 5B | 5C | 2785 | 18 |
| 7-1/2 | | 30 | 30 | 100VA | 7-1/2A | 7-1/2B | 7-1/2C | 2785 | 18 |
| 10 | 2 | 60 | 60 | 100VA | 10A | 10B | 10C | 3970 | 18 |

**Example : 10HP Constant Torque Motor with Switch and Lights :
5641A-2S2WCT-10BL @ \$4,480 List**

- (1) Standard configurations are for listed switch and clip sizes only. Fuses are not included. Fuse clips are sized for Class R fuses. Other configurations are available with price adders.
- (2) Standard configurations include control power transformers with VA ratings as listed. Higher VA ratings are available as custom options with associated price adders.
- (3) All standard configurations use 115VAC control circuits. Three (3) standard control types are available :

- A - No local control (N/A)
- B - Selector Switch (H-L-O-A)
- C - Push Button (High / Low / Stop)

Three (3) status lights can be provided as indicated on drawings by adding an "L" to the end of the catalog number and incorporating associated price adder (\$510). All lights are full voltage type. NOTE : Indicating lights are not available with push button option "C" due to four device maximum.

Any other control configuration is considered non-standard and will require price adder.

Pricing Tables

Molded Case ITE Circuit Breaker Selection Table - Feeder Units

Catalog Number Prefix :

5642-

(suffix 1)

| Breaker Frame | Breaker Amp Range | Interrupting Rating @ | | | | Catalog (Suffix 1) | List Price | Height (Inches) |
|---------------|-------------------|-----------------------|-------|-------|-------|--------------------|------------|-----------------|
| | | 208V | 230V | 460V | 575V | | | |
| ED6 | 015-125 (1) | 65KA | 65KA | 25KA | 18KA | ED6-### | 1170 | 12 (2) |
| FD6 | 070-250 | 65KA | 65KA | 35KA | 18KA | FD6-### | 2340 | 24 (3) |
| JD6 | 200-400 | 65KA | 65KA | 35KA | 25KA | JD6-### | 3620 | 24 |
| HED4 | 015-125 (1) | 100KA | 100KA | 42KA | NA | HED4-### | 1280 | 12 (2) |
| HED6 | 015-125 (1) | 100KA | 100KA | 30KA | 18KA | HED6-### | 1385 | 12 (2) |
| HFD6 | 070-250 | 100KA | 100KA | 65KA | 22KA | HFD6-### | 2720 | 24 (3) |
| HJD6 | 200-400 | 100KA | 100KA | 65KA | 35KA | HJD6-### | 4260 | 24 |
| HHJD6 | 200-400 | 200KA | 200KA | 100KA | 50KA | HHJD6-### | 5070 | 24 |
| CED6 | 015-125 (1) | 200KA | 200KA | 200KA | 100KA | CED6-### | 1710 | 18 (2) |
| CFD6 | 070-250 (1) | 200KA | 200KA | 200KA | 100KA | CFD6-### | 3420 | 36 (4) |
| CJD6 | 200-400 | 200KA | 200KA | 150KA | 100KA | CJD6-### | 7670 | 36 |

NOTE : All circuit breakers are 3 pole, thermal-magnetic type.
All listed configurations are draw-out construction only.

- Insert desired trip amp rating (3 digit) as part of the catalog number suffix.

Example : 250 Amp Frame HFD6 Feeder with 225 Amp Trip
5642-HFD6-225 @ \$2,720 List

- (1) These breakers have non-interchangeable trip units.
- (2) Dual mounted units are available in the same vertical space for double the list price. Identify as "DUAL". Two catalog numbers are required for each dual unit.
- (3) Optional compact 18" units are available at no additional cost.
- (4) Optional compact 30" or 24" units are available at no additional cost.

Any other configuration is considered non-standard and will require price adder.
Feeder breaker accessories such as auxiliary switches, bell alarms, etc. are available as special modifications only.

Fusible Disconnect Switch Selection Table - Feeder Units

Catalog Number Prefix :

5641-FS-

(suffix 1)

| Disconnect Switch Amps | Fuse Clip Amps (1) | Single or Dual Unit | Ampere Interrupting Rating @ | | | | Catalog (Suffix 1) | List Price | Height (Inches) |
|------------------------|--------------------|---------------------|------------------------------|-------|-------|-------|--------------------|------------|-----------------|
| | | | 208V | 230V | 460V | 575V | | | |
| 30 | 30 | Single | 100KA | 100KA | 100KA | 100KA | 30-S12 | 875 | 12 |
| 30 | 30 | Single | 100KA | 100KA | 100KA | 100KA | 30-S18 | 875 | 18 |
| 30 | 30 | Dual - L | 100KA | 100KA | 100KA | 100KA | 30-D12 | 1750 | 12 |
| 30 | 30 | Dual - R | 100KA | 100KA | 100KA | 100KA | | | |
| 30 | 30 | Dual - L | 100KA | 100KA | 100KA | 100KA | 30-D18 | 1750 | 18 |
| 30 | 30 | Dual - R | 100KA | 100KA | 100KA | 100KA | | | |
| 60 | 60 | Single | 100KA | 100KA | 100KA | 100KA | 60-S12 | 950 | 12 |
| 60 | 60 | Single | 100KA | 100KA | 100KA | 100KA | 60-S18 | 950 | 18 |
| 60 | 60 | Dual - L | 100KA | 100KA | 100KA | 100KA | 60-D12 | 1900 | 12 |
| 60 | 60 | Dual - R | 100KA | 100KA | 100KA | 100KA | | | |
| 60 | 60 | Dual - L | 100KA | 100KA | 100KA | 100KA | 60-D18 | 1900 | 18 |
| 60 | 60 | Dual - R | 100KA | 100KA | 100KA | 100KA | | | |
| 60 | 60 | Dual - L | 100KA | 100KA | 100KA | 100KA | 6030-D12 | 1825 | 12 |
| 30 | 30 | Dual - R | 100KA | 100KA | 100KA | 100KA | | | |
| 60 | 60 | Dual - L | 100KA | 100KA | 100KA | 100KA | 6030-D18 | 1825 | 18 |
| 30 | 30 | Dual - R | 100KA | 100KA | 100KA | 100KA | | | |
| 100 | 100 | Single | 100KA | 100KA | 100KA | 100KA | 100-S12 | 1600 | 12 |
| 200 | 200 | Single | 100KA | 100KA | 100KA | 100KA | 200-S24 | 2130 | 24 |

NOTE : All units are 3 pole, 600V rated. All listed configurations are draw-out construction.

Example :

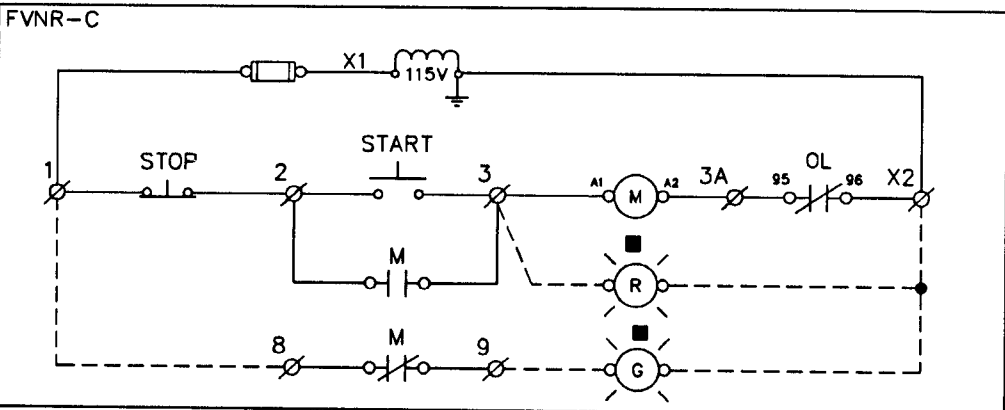
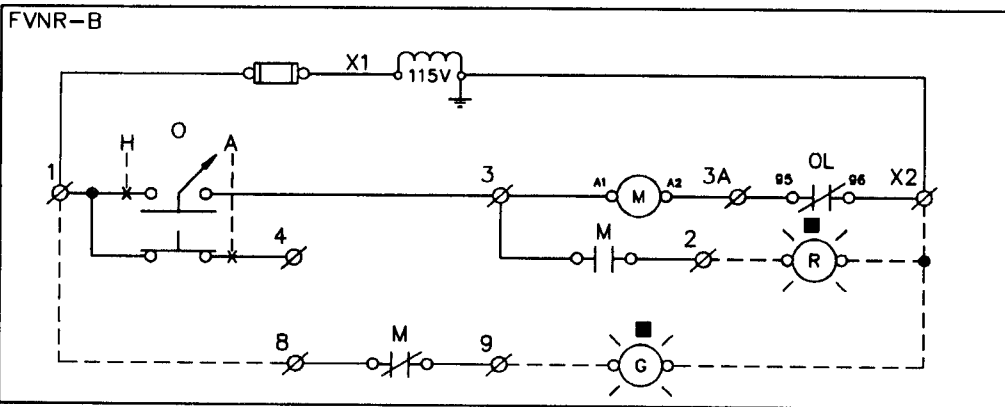
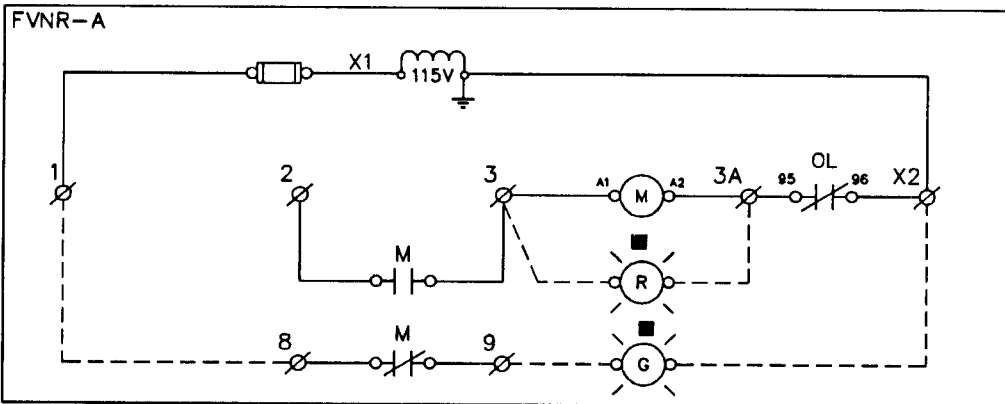
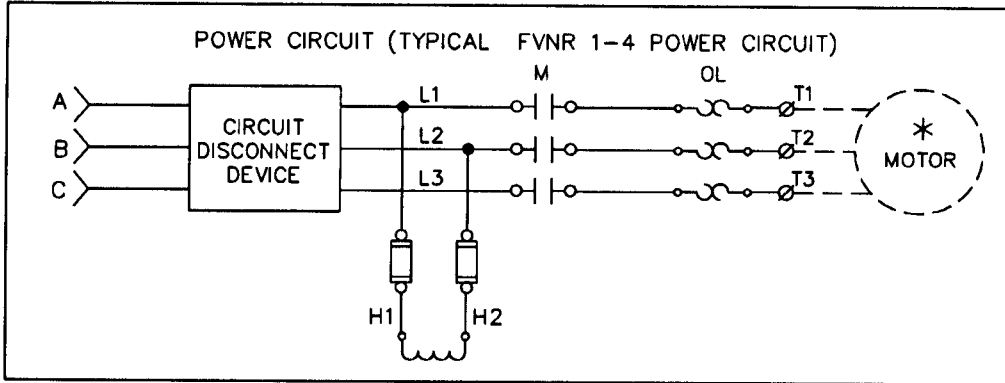
**Dual 30 Amp Switches in 12" Unit
5641-FS-30-D12 @ \$1,750 List**

- (1) Fuse clips will be provided for Class R fuses. Fuses are not included. Standard configurations are for listed switch and clip combinations only. All other combinations are considered non-standard.

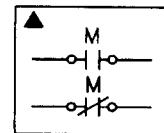
Unit Doors and Support Shelves

| Description | Catalog Number | List Price | Height |
|-----------------------|----------------|------------|-----------|
| Blank Door - 6" High | 5600-DOOR-6 | \$100 | 6 Inches |
| Blank Door - 12" High | 5600-DOOR-12 | \$125 | 12 Inches |
| | | | |
| Unit Support Shelf | 5600-SHELF | \$75 | NA |

ITE/GOULD RETROFIT UNIT
CONTROL CIRCUIT OPTIONS: FVNR SIZES 1-4 STARTERS



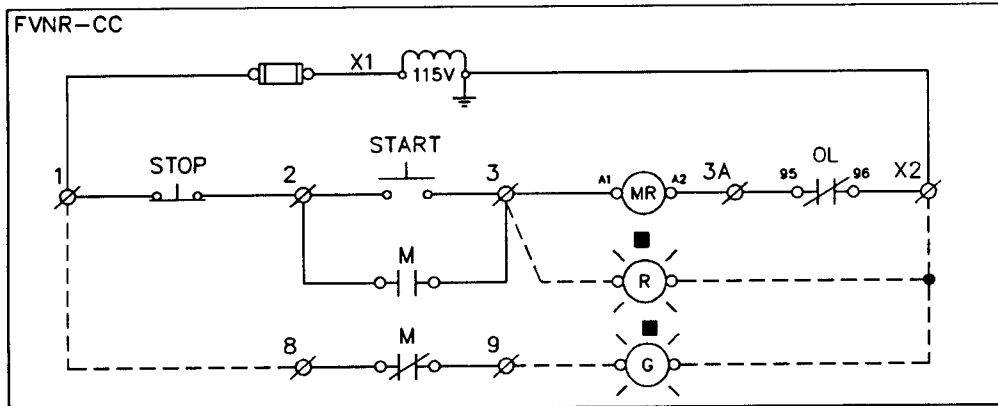
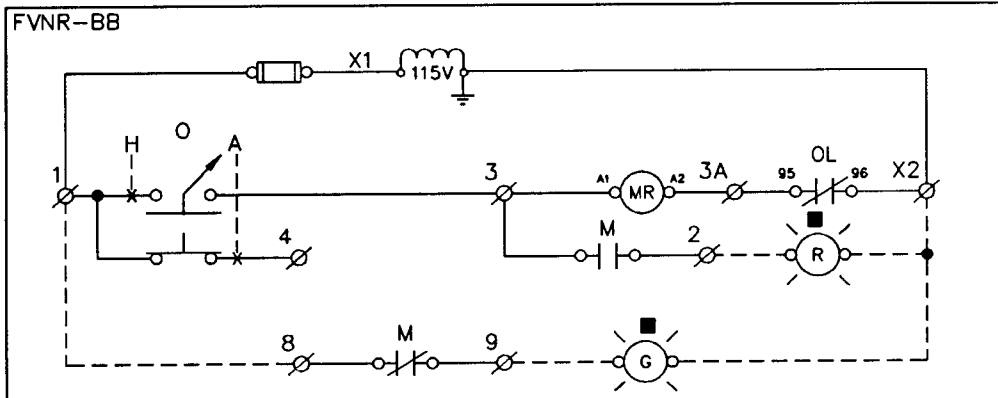
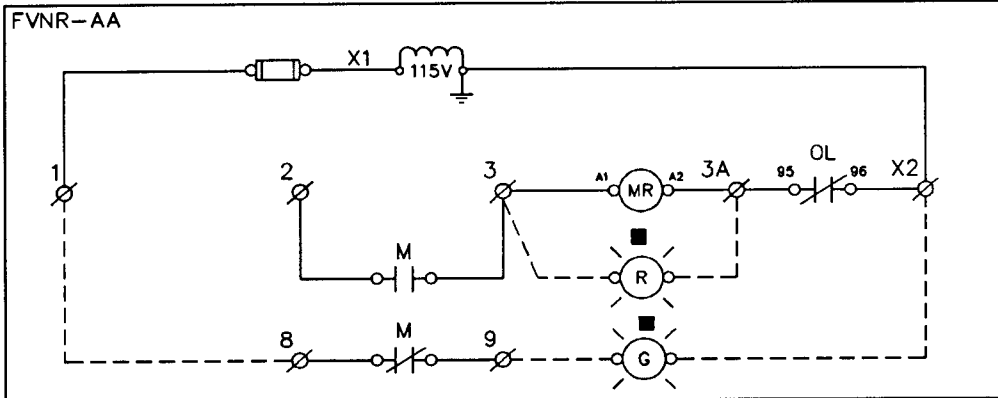
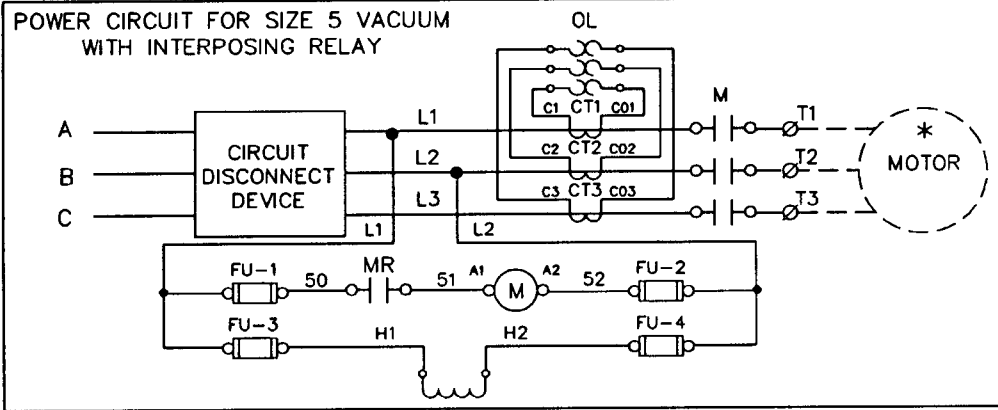
| TERMINAL BLOCK | |
|----------------|--|
| 13 | |
| 12 | |
| 11 | |
| 10 | |
| 9 | |
| 8 | |
| 7 | |
| 6 | |
| 5 | |
| 4 | |
| 3A | |
| 3 | |
| 2 | |
| 1 | |
| X2 | |



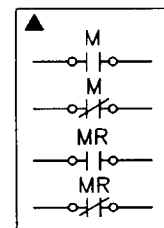
■ INDICATING LIGHTS AND ASSOCIATED WIRING (DOTTED) PROVIDED ONLY FOR CATALOG NUMBER WITH "L" SUFFIX.

▲ THESE AUXILIARY INTERLOCKS ARE PROVIDED AS STANDARD WITH EACH CONFIGURATION BUT ARE NOT WIRED TO TERMINAL BLOCK.

ITE/GOULD RETROFIT UNIT
CONTROL CIRCUIT OPTIONS: FVNR SIZE 5 STARTER



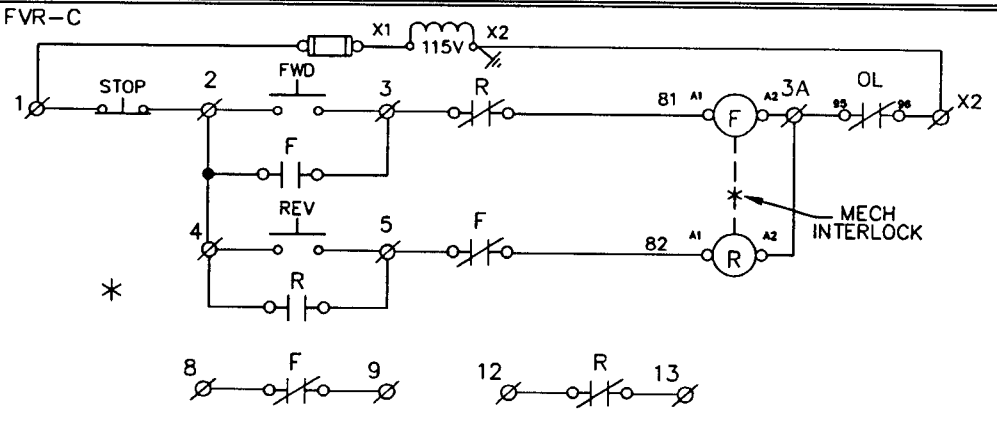
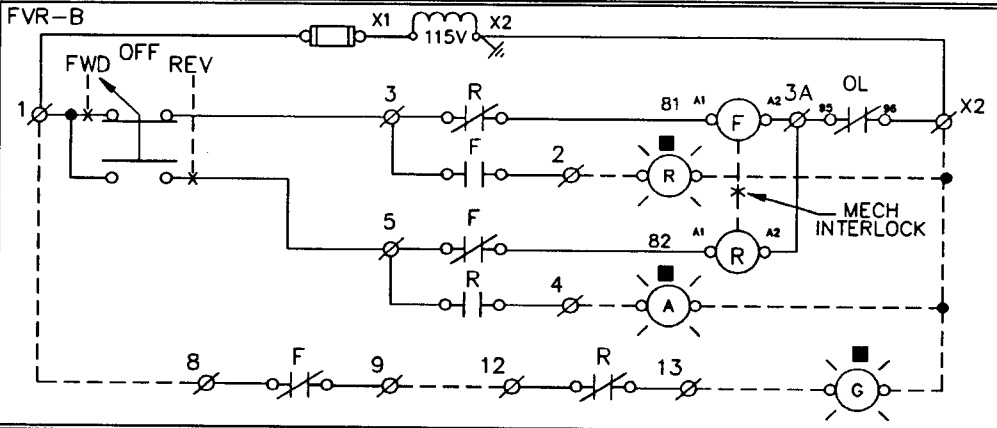
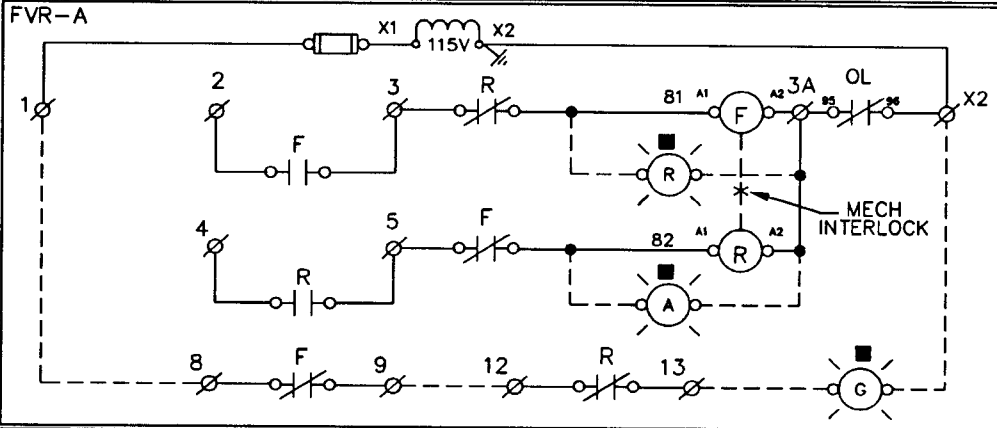
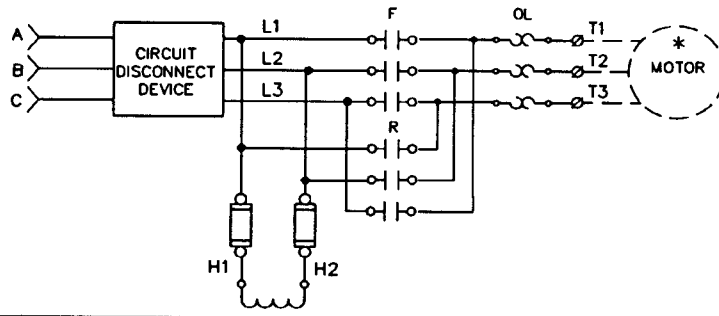
| TERMINAL BLOCK | |
|----------------|--|
| 13 | |
| 12 | |
| 11 | |
| 10 | |
| 9 | |
| 8 | |
| 7 | |
| 6 | |
| 5 | |
| 4 | |
| 3A | |
| 3 | |
| 2 | |
| 1 | |
| X2 | |



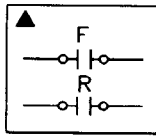
■ INDICATING LIGHTS AND ASSOCIATED WIRING (DOTTED) PROVIDED ONLY FOR CATALOG NUMBER WITH "L" SUFFIX.
▲ THESE AUXILIARY INTERLOCKS ARE PROVIDED AS STANDARD WITH EACH CONFIGURATION BUT ARE NOT WIRED TO TERMINAL BLOCK.

ITE/GOULD RETROFIT UNIT
CONTROL CIRCUIT OPTIONS: FVR SIZES 1-4 STARTERS

POWER CIRCUIT (TYPICAL FVR 1-4 POWER CIRCUIT)

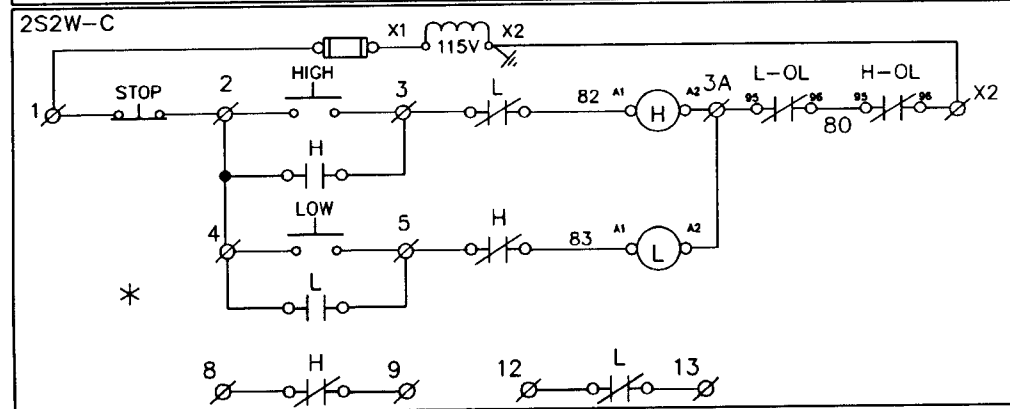
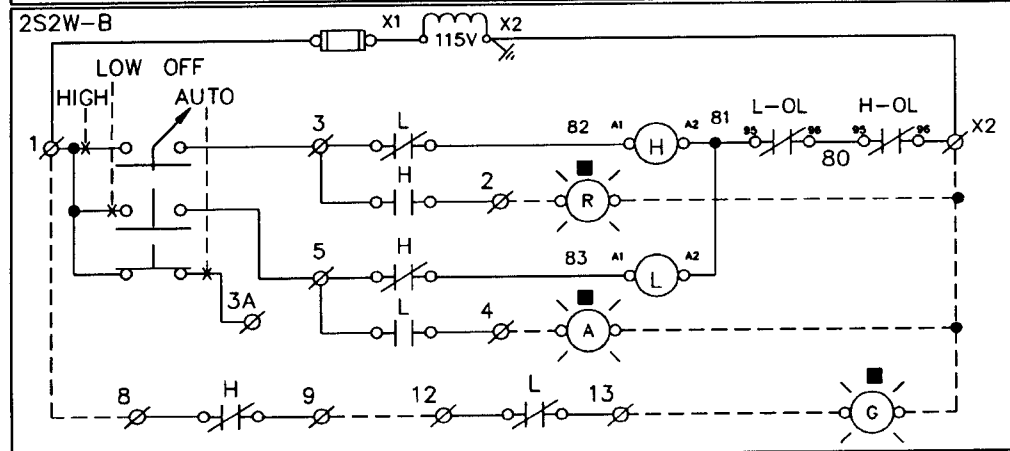
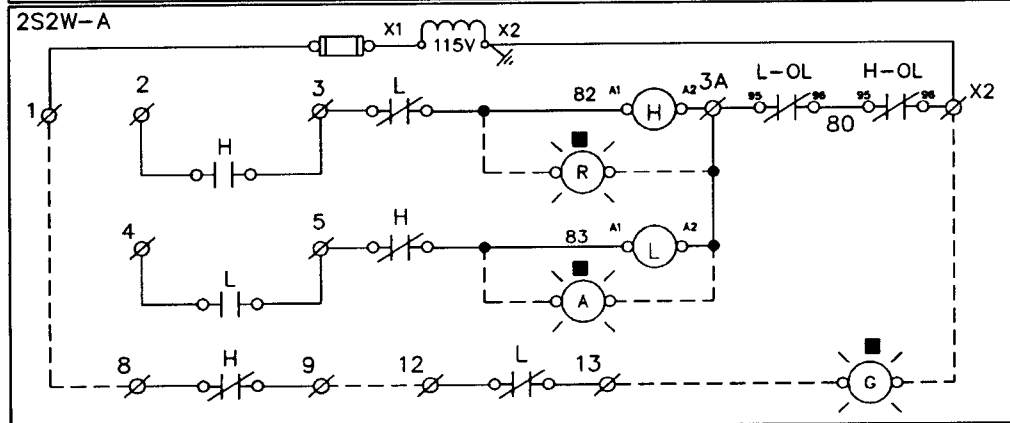
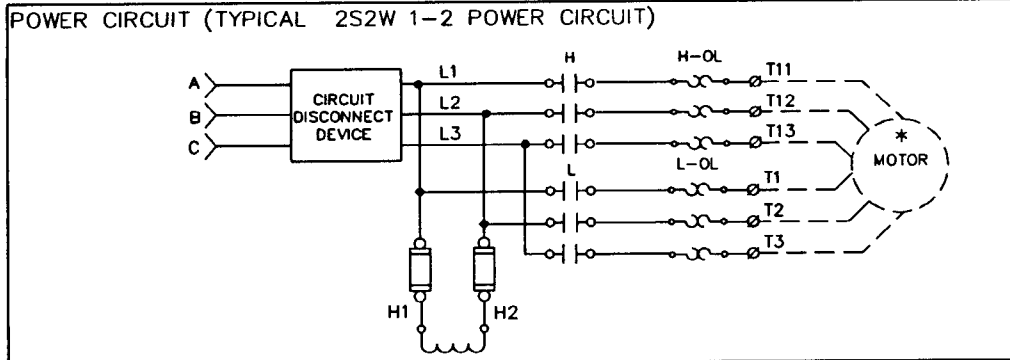


| TERMINAL BLOCK | |
|----------------|--|
| 13 | |
| 12 | |
| 11 | |
| 10 | |
| 9 | |
| 8 | |
| 7 | |
| 6 | |
| 5 | |
| 4 | |
| 3A | |
| 3 | |
| 2 | |
| 1 | |
| X2 | |

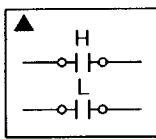


- INDICATING LIGHTS AND ASSOCIATED WIRING (DOTTED) PROVIDED ONLY FOR CATALOG NUMBER WITH "L" SUFFIX.
- ▲ THESE AUXILIARY INTERLOCKS ARE PROVIDED AS STANDARD WITH EACH CONFIGURATION BUT ARE NOT WIRED TO TERMINAL BLOCK.
- * LIGHTS NOT AVAILABLE DUE TO FOUR PILOT DEVICE MAXIMUM.

ITE/GOULD RETROFIT UNIT
CONTROL CIRCUIT OPTIONS: 2S2W SIZES 1-2 STARTERS



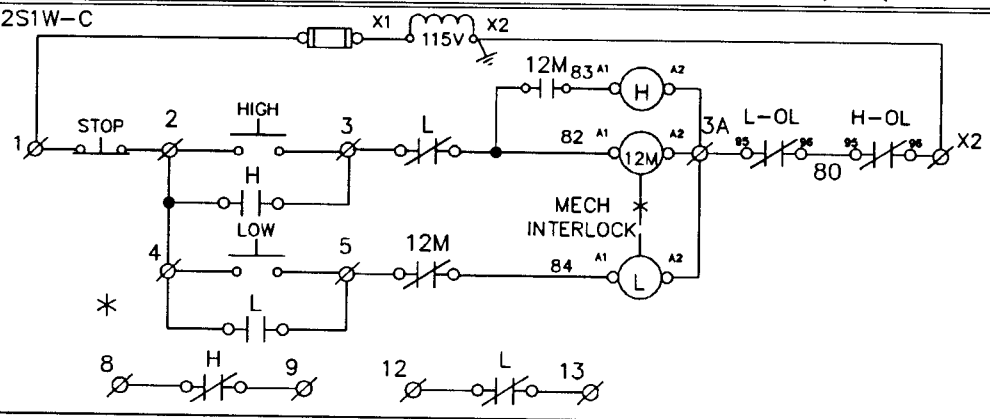
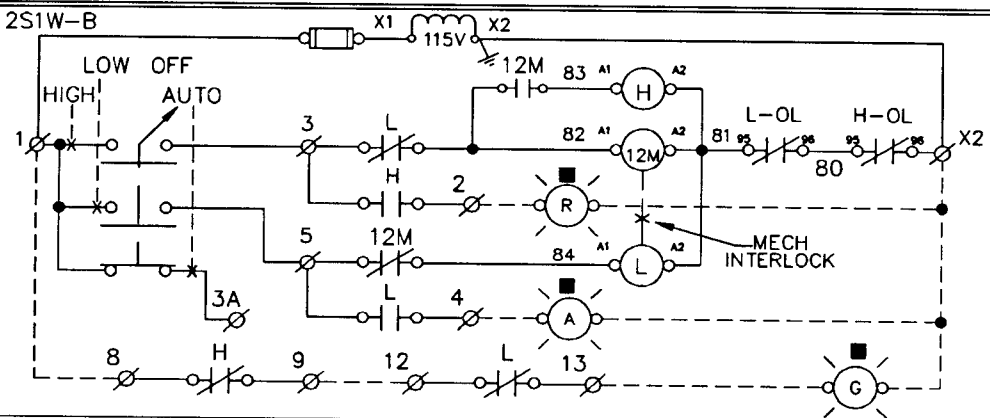
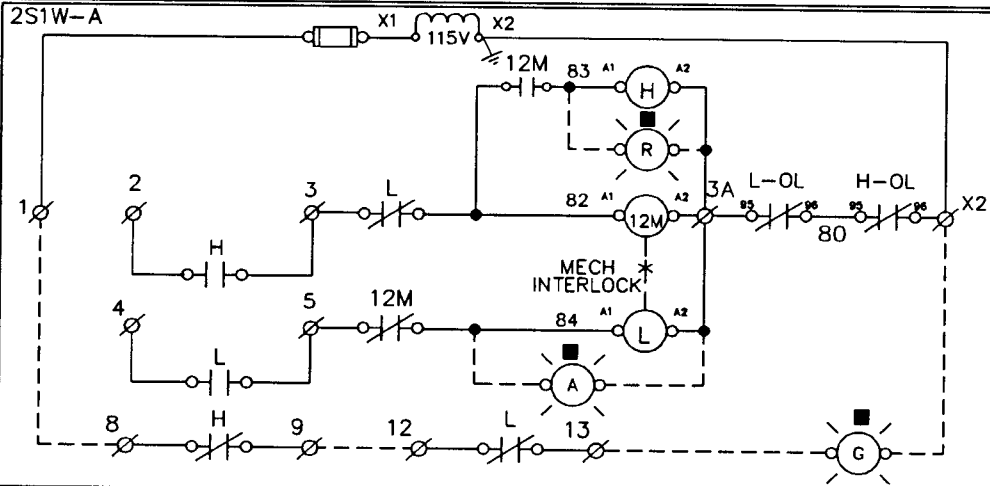
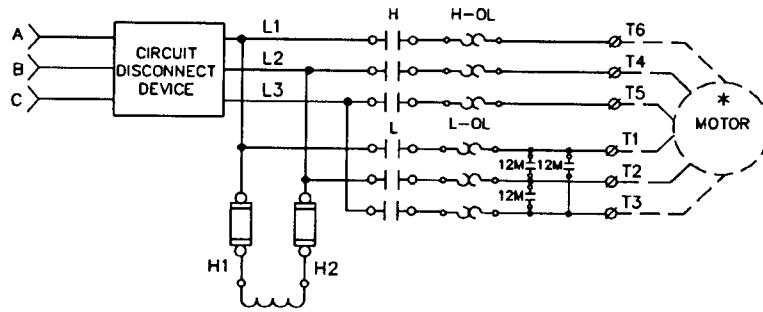
| TERMINAL BLOCK | |
|----------------|--|
| 13 | |
| 12 | |
| 11 | |
| 10 | |
| 9 | |
| 8 | |
| 7 | |
| 6 | |
| 5 | |
| 4 | |
| 3A | |
| 3 | |
| 2 | |
| 1 | |
| 1A | |



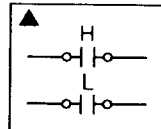
■ INDICATING LIGHTS AND ASSOCIATED WIRING (DOTTED) PROVIDED ONLY FOR CATALOG NUMBER WITH "L" SUFFIX.
 ▲ THESE AUXILIARY INTERLOCKS ARE PROVIDED AS STANDARD WITH EACH CONFIGURATION BUT ARE NOT WIRED TO TERMINAL BLOCK.
 * LIGHTS NOT AVAILABLE DUE TO FOUR PILOT DEVICE MAXIMUM.

ITE/GOULD RETROFIT UNIT
CONTROL CIRCUIT OPTIONS: 2S1W SIZES 1-2 STARTERS

POWER CIRCUIT (TYPICAL 2S1W 1-2 POWER CIRCUIT)



| TERMINAL BLOCK | |
|----------------|--|
| 13 | |
| 12 | |
| 11 | |
| 10 | |
| 9 | |
| 8 | |
| 7 | |
| 6 | |
| 5 | |
| 4 | |
| 3A | |
| 3 | |
| 2 | |
| 1 | |
| X2 | |



■ INDICATING LIGHTS AND ASSOCIATED WIRING (DOTTED) PROVIDED ONLY FOR CATALOG NUMBER WITH "L" SUFFIX.

▲ THESE AUXILIARY INTERLOCKS ARE PROVIDED AS STANDARD WITH EACH CONFIGURATION BUT ARE NOT WIRED TO TERMINAL BLOCK.

* LIGHTS NOT AVAILABLE DUE TO FOUR PILOT DEVICE MAXIMUM.

SIEMENS

Siemens Energy
& Automation, Inc.
Electrical Apparatus
Division
P.O. Box 29503
Raleigh, NC 27626-0503