

Data Bulletin

ALTIVAR® 58 Option Keypad Display and Remote Mounting Kit Class 8806

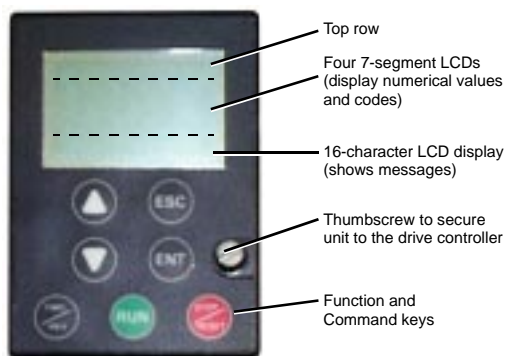


Figure 1: Front of the Operator Terminal

INTRODUCTION

The ALTIVAR 58 (ATV58) family of adjustable-speed AC drive controllers for three-phase asynchronous motors is the first truly universal range of drive controllers. Only the ATV58 controller offers a combination of small size, outstanding performance, and modern communication capabilities coupled with a wide range of standard and optional features, as well as availability in panel mounting or integrated drive starter versions.

KEYPAD DISPLAY

The backlit keypad display is pictured at left.

- The LCDs in the top row provide status information as described below:
 - ↻ ↻ When flashing, this indicates the commanded direction of motor rotation. When steady, it indicates the actual direction of motor rotation.
 - LOC This indicates when the drive controller is in keypad command mode.
 - PROG This appears when the access control switch (located on the rear of the unit, see Figure 2) is in position 1 or position 2. See "Access Control" below for more information.
- The four 7-segment LCDs in the middle row show codes, parameter values, and status information. These segments are readable from a distance of three feet.
- The 16-character LCD display in the bottom row defines in plain text the name of the parameter being viewed, adjusted, assigned, or configured. This line also describes fault messages.
- The key functions are:
 - ▲ ▼ Move within the menus or among the parameters, or adjust a displayed value.
 - ESC Return to the previous menu, or abandon an adjustment in progress and return to the original value.
 - ENT Select a menu, or validate and save a choice or adjustment.
- When command by the keypad is selected, the following keys are active:
 - ↻ ↻ Change of rotation direction
 - RUN Command to run the motor
 - STOP / RESET Command to stop the motor or reset a fault. The STOP key can also stop the drive controller in terminal block command mode.

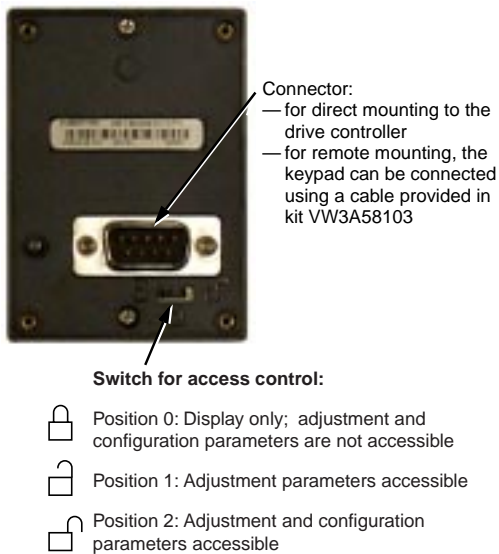


Figure 2: Rear of the Operator Terminal

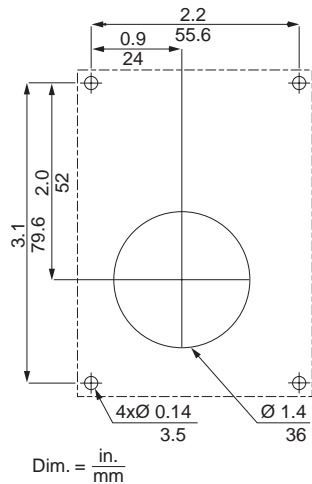


Figure 3: Footprint of the Keypad Display on the Enclosure Door

Access Control

On the rear of the operator terminal is a three-position access control switch and a connector (see Figure 2). The switch setting can deter unwanted tampering with adjustment and/or configuration parameters. PROG is displayed in the upper right-hand corner of the display when the switch is in position 1 (configuration) or position 2 (file storage and transfer). Access can also be controlled by using an access code.

The keypad can store four configuration files, which can be downloaded to multiple drives with the same rating. This is useful for configuring multiple drives and verifying configurations.

Mounting

The keypad plugs into the RS-485 port found on every ATV58 drive controller, or it can be attached to the enclosure door using the remote mounting kit.

REMOTE MOUNTING KIT

The VW3A58103 remote mounting kit allows remote operation of the ATV58 controller when the plug-in keypad display terminal is fixed to the door of the enclosure. The kit contains a three-meter cable with connectors; a translucent protective cover for the keypad; seals and screws for IP65 mounting on the enclosure door; and an instruction bulletin. The remote mounting kit is for use on any ATV58 controller and on enclosure panels no more than 0.118 in. (3 mm) in thickness.

