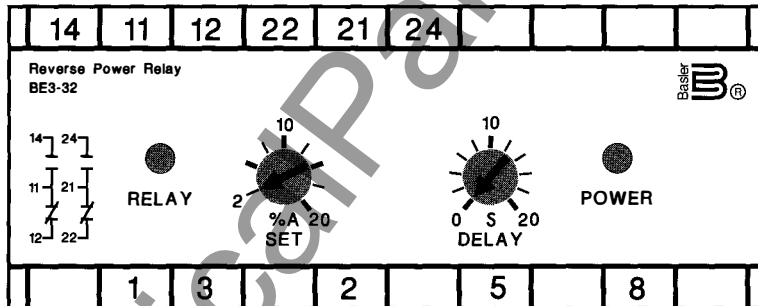


**BE3-32  
REVERSE POWER RELAYS**

**APPLICATION:**

BE3-32 reverse power relays monitor the direction of power from ac generators. If current flow from the generator becomes reversed and exceeds the adjustable setting, the relay will trip. An adjustable time delay of from 0 to 20 seconds is provided. Correct setting of the trip point and time delay will ensure protection against motoring in the event of a generator failure, and prevent tripping due to transients encountered during synchronizing. A RELAY LED indicates output status of the relay, and a POWER LED indicates the condition of the power supply.

**CASE CONNECTIONS:**



**GENERAL SPECIFICATIONS:**

**Input**

Nominal voltage: 120V, 240V, 380V, 480V  
 Other nominal voltages: Contact the factory  
 Nominal current: 5 amperes  
 Frequency: 50/60 or 400Hz  
 Burden: Less than 3VA voltage, less than 0.5VA current  
 Overload: 1.5 times nominal voltage, 2 times nominal current continuous; 2 times nominal voltage, 10 times nominal current for 3 seconds  
 Rated value: CT operated 5A or direct connected 0.2 to 10A

All units self-powered.

**Setpoint**

Range: Adjustable 2% to 20% reverse current  
 Time delay: Adjustable 0 to 20 sec  
 Repeatability: Better than 0.5% of full span  
 Hysteresis: 1%

**Weight and Case Size**

1.32 lbs. (0.6kg), 3.94 in. wide (100mm)



**PERFORMANCE SPECIFICATIONS:**

**Environmental**

Operating temperature: 0°C to +60°C (32°F to 140°F)  
 Functional temperature: -25°C to +70°C (-13°F to 158°F)  
 Storage temperature: -40°C to +70°C (-40°F to 158°F)  
 Temperature coefficient: 0.03% per °C (200ppm/°C)  
 Relative humidity: 95% noncondensing

**Agency Approvals**

UL recognized, CSA certified, C.E. compliant

**Insulation**

Test voltage: 4kV RMS 50Hz 1min between Input, Case, and Auxiliary  
 Impulse test: EMC 5kV transient, complies with IEC 801, EN 55020  
 HF interference test: EHF 2.5kV 1MHz, complies with IEC 255-4  
 Protection class: II, complies with IEC 348

**Applied Standards**

General: IEC 144, BS 5420, VDE/VDI 0435, IEC 947, EN 60947

**Safety:**

BS EN 61010, DIN 57411, VDE 0411, ANSI C37

**Surge withstand:**

IEC 801, EN 55020, ANSI C37-90a

**RFI:**

RFI degree N, complies with VDE 0875

**Relay Output**

Relay type: D.P.D.T.  
 AC Rating: 250V, 5A, nonresistive, 1200VA  
 DC Rating: 125V, 1A, resistive, 120 watts  
 Mechanical Life: 5 million operations

**Enclosure**

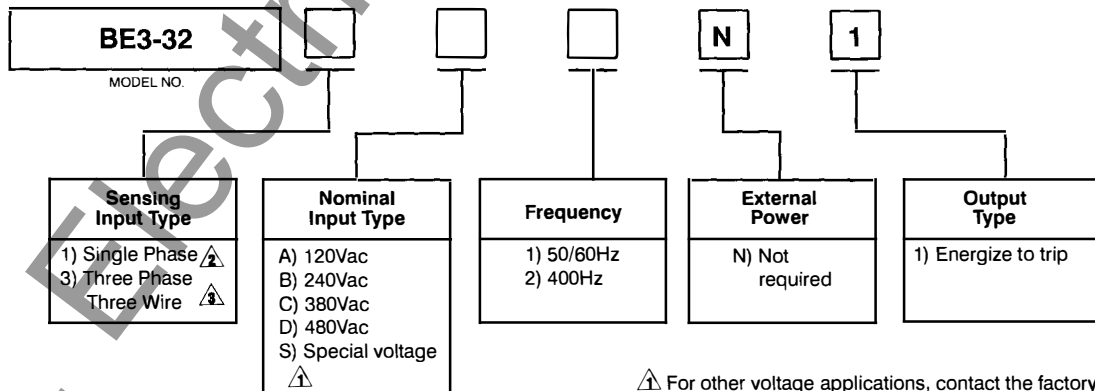
Mounting: Snap onto DIN rail 1.38in. x .29in. (35mmx7.5mm), complies with DIN-EN 50022, BS 5584  
 Any position  
 Enclosure code: Case IP 50, terminals IP 30  
 Material: Complies with UL 94 VO

**HOW TO ORDER:**

Designate the Model Number followed by the complete Style Number.

Complete the Style Number by selecting one feature from each column of the Style Identification Chart and entering its designation, letter or number, in the appropriate square. Note: The description of a complete relay must include both Model Number and Style Number.

**STYLE IDENTIFICATION CHART:**



For other voltage applications, contact the factory.  
 Nominal input voltage is line-to-neutral.  
 Nominal input voltage is line-to-line.

