



## INSTRUCTIONS

Mho Distance Relay

Type CEY

Model 12CEY51B(-)D

### INTRODUCTION

This insert booklet and the 12CEY51A(-)D instruction book (GEK-1275) form the instructions for the 12CEY51B(-)D relay.

### DESCRIPTION

The 12CEY51B(-)D relay is similar to the 12CEY51A(-)D relay except that the contact circuits were arranged per the 12CEY15A(-)A relay contact circuits. Check figure 1 of this insert booklet for the contact circuit arrangement.

These instructions do not purport to cover all details or variations in equipment nor to provide for every possible contingency to be met in connection with installation, operation or maintenance. Should further information be desired or should particular problems arise which are not covered sufficiently for the purchaser's purposes, the matter should be referred to the General Electric Company.

POWER SYSTEMS MANAGEMENT DEPARTMENT

GENERAL  ELECTRIC

PHILADELPHIA, PA.

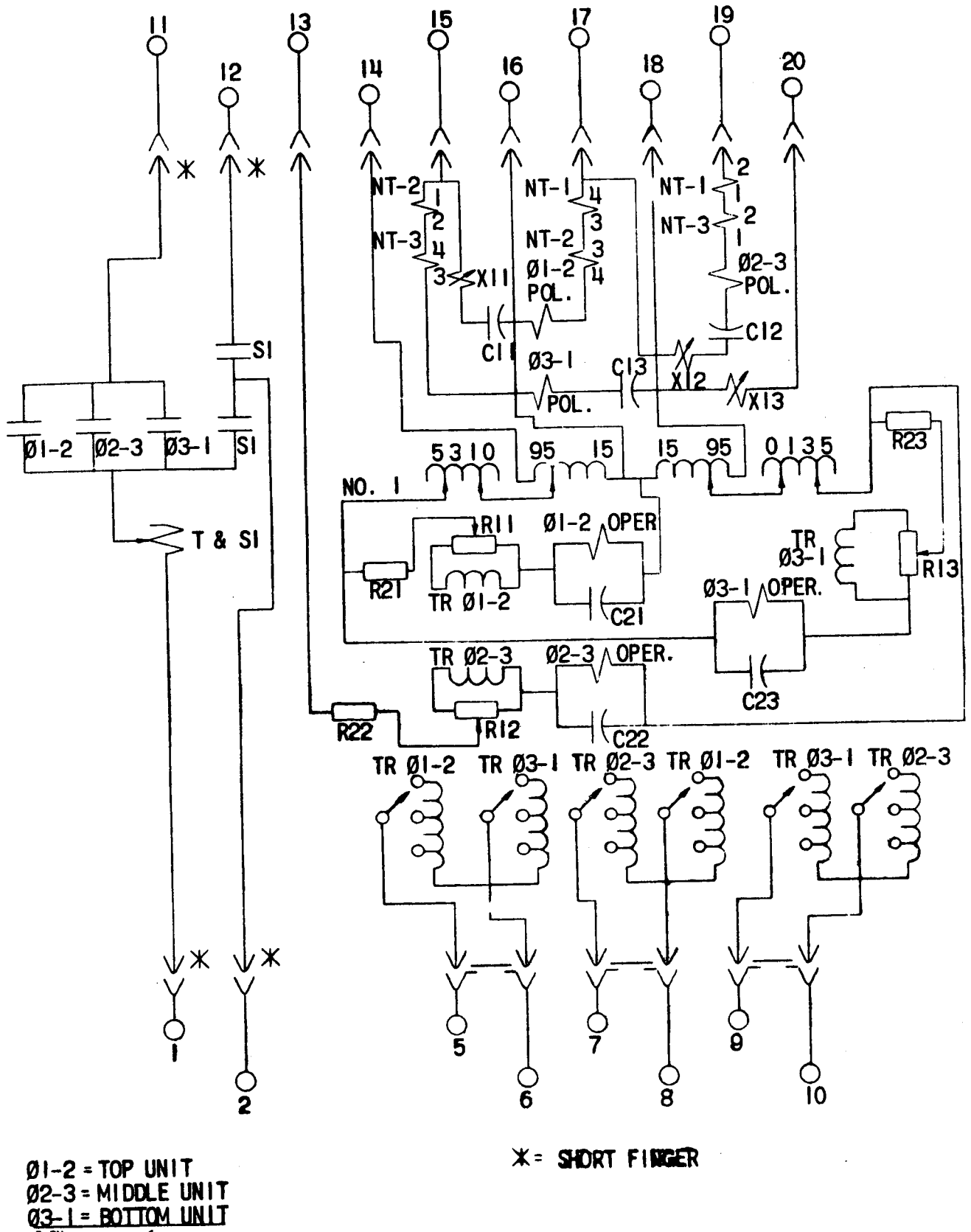


FIG. I (0227A7013-0) Internal Connections Diagram For The CEY51B Relay (Front View)