



## VACU-BREAK® SAFETY SWITCHES HEAVY-DUTY

### HEAVY DUTY—INDOOR ENCLOSURE, NEMA 1

**Applications:** Severe industrial and commercial installations "where safety, performance and continuity of service are emphasized" (NEMA Standard KS-1-1957).

**Rating:** 2-, 3- or 4-pole constructions rated 30-1200 amperes for use at 240 volts ac, 250 volts dc or 600 volts ac.

**Specifications:** Meet Federal Specification W-S-865c for Heavy-Duty Switches (Type HD) in general-purpose enclosures (Box 1). Listed by Underwriters' Laboratories, Inc., under File #E4776 as Enclosed Switches and also as Suitable For Use As Service Equipment. Meet NEMA Standard KS-1-1957 for Type HD switches except for special-purpose enclosures.

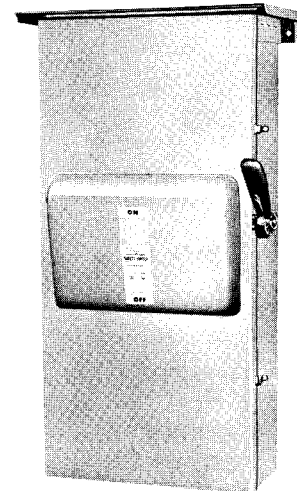


### HEAVY DUTY—RAINTIGHT ENCLOSURE, NEMA 3R

**Application:** Severe industrial and commercial installations "where safety, performance and continuity of service are emphasized." Meet requirements for general applications outdoors (NEMA Standard KS-1-1957). Protective construction will not allow water to enter even when exposed to beating rains. Cover removable for easier wiring.

**Rating:** 2-, 3- or 4-pole constructions rated 30-1200 amperes for use at 240 volts ac, 250 volts dc or 600 volts ac.

**Specifications:** Exceed Federal Specification W-S-865c for Normal-Duty Switches (Type NDS) in raintight enclosures (Box 3R). Listed by Underwriters' Laboratories, Inc., under File #E4776 as Enclosed Switches and also as Suitable For Use as Service Equipment. Meet NEMA Standard KS-1-1957 for Type HD switches except for special-purpose enclosures.



### HEAVY DUTY—INDUSTRIAL USE, NEMA 12

**Application:** Severe industrial and commercial installations "where safety, performance and continuity of service are emphasized." Meet requirements for dust-tight and oil-tight applications (NEMA Standard KS-1-1957). Gasket-sealed construction excludes such materials as dust, lint, fibers and flyings, oil seepage or coolant seepage.

**Rating:** 2-, 3- or 4-pole constructions rated 30-600 amperes for use at 240 volts ac, 250 volts dc or 600 volts ac.

**Specifications:** Meet Federal Specification W-S-865c for Heavy-Duty Switches (Type HD) in special-purpose enclosures (Box 12). Listed by Underwriters' Laboratories, Inc., under File #E4776 as Enclosed Switches and also as Suitable For Use As Service Equipment. Meet NEMA Standard KS-1-1957 for Type HD switches in special-purpose enclosures.





**VACU-BREAK® SAFETY SWITCHES**  
**HEAVY-DUTY INDOOR\*—NEMA 1 ENCLOSURE<sup>AA</sup>**

**240 VOLT FUSIBLE**

System	Rating Amperes	Cat. No.	List Price	Ship Wgt. Lb Std. Pkg.	K.O. Diag. Sec. 1.3 Pg. 1	DIMENSIONS—Inches				HORSEPOWER RATINGS <sup>A</sup>						
						Height A	Width		Depth With Cover D	240 Volt AC						250 V DC
							Box B	With Handle C		1 ∅ 2W		2 ∅ 4W		3 ∅ 3W		
										Std.	Max.	Std.	Max.	Std.	Max.	
<b>2 POLE, 2 FUSE OR 3 POLE, 2 FUSE AND SN</b>						<b>240 VOLT AC, 250 VOLT DC</b>										
	30	SN-321	\$21.50	** 33	A	8 5/8	6 3/8	6 3/8	4 5/8	1 1/2	3	—	—	3	7 1/2	5
	60	SN-322	40.00	11	B	12 3/8	8	8	5	3	10	—	—	7 1/2	15	10
	100	SN-323	64.00	19	F	18 1/2	11	11	6 1/4	7 1/2	15	—	—	15	30	20
	200	SN-324	113.00	42	G	27 1/2	13	13	9 1/8	15	—	—	—	25	60	40
	400	SN-325	265.00	128	H	40 3/4	17 3/4	20 1/8	12 3/4	—	—	—	—	50	100	50
600	SN-326	496.00	162	J	48 3/4	17 3/4	20 1/8	13 1/4	—	—	—	—	75	100	—	
800 <sup>o</sup>	SN-327	777.00	360	—	60 1/2	32 3/8	35 1/4	12 1/2	—	—	—	—	100	—	—	
1200 <sup>o</sup>	SN-328	1052.00	369	—	60 1/2	32 3/8	35 1/4	12 1/2	—	—	—	—	—	—	—	
<b>3 POLE, 3 FUSE</b>						<b>240 VOLT AC, 250 VOLT DC</b>										
	30	F-321	26.50	** 34	A	8 5/8	6 3/8	6 3/8	4 5/8	1 1/2	3	—	—	3	7 1/2	5
	60	F-322	46.00	11	B	12 3/8	8	8	5	3	10	—	—	7 1/2	15	10
	100	F-323	73.00	19	F	18 1/2	11	11	6 1/4	7 1/2	15	—	—	15	30	20
	200	F-324	126.00	45	G	27 1/2	13	13	9 1/8	15	—	—	—	25	60	40
	400	F-325	292.00	132	J	40 3/4	23	25 3/8	12 1/4	—	—	—	—	50	100	50
600	F-326	528.00	167	K	48 3/4	23	25 3/8	12 1/4	—	—	—	—	75	100	—	
800 <sup>o</sup>	F-327	975.00	367	—	60 1/2	32 3/8	35 1/4	12 1/2	—	—	—	—	100	—	—	
1200 <sup>o</sup>	F-328	1239.00	382	—	60 1/2	32 3/8	35 1/4	12 1/2	—	—	—	—	—	—	—	
<b>4 POLE, 3 FUSE AND SN</b>						<b>240 VOLT AC</b>										
	30	SN-421	26.50	** 34	A	8 5/8	6 3/8	6 3/8	4 5/8	—	—	—	—	3	7 1/2	—
	60	SN-422	46.00	11	B	12 3/8	8	8	5	—	—	—	—	7 1/2	15	—
	100	SN-423	73.00	21	F	18 1/2	11	11	6 1/4	—	—	—	—	15	30	—
	200	SN-424	126.00	45	G	27 1/2	13	13	9 1/8	—	—	—	—	25	60	—
	400	SN-425	324.00	158	J	40 3/4	23	25 3/8	12 1/4	—	—	—	—	50	100	—
600	SN-426	557.00	200	K	48 3/4	23	25 3/8	12 1/4	—	—	—	—	75	100	—	
800 <sup>o</sup>	SN-427	1035.00	385	—	60 1/2	32 3/8	35 1/4	12 1/2	—	—	—	—	100	—	—	
1200 <sup>o</sup>	SN-428	1298.00	392	—	60 1/2	32 3/8	35 1/4	12 1/2	—	—	—	—	—	—	—	
<b>4 POLE, 4 FUSE</b>						<b>240 VOLT AC</b>										
	30	F-421	52.	13	C	12 3/8	11	11	5 1/4	—	—	—	—	3	10	—
	60	F-422	71.	14	C	12 3/8	11	11	5 1/4	—	—	—	—	7 1/2	20	—
	100	F-423	113.	21	F	18 1/2	11	11	6 1/4	—	—	—	—	15	30	—
	200	F-424	204.	50	G	24 1/2	15 1/2	15 1/2	9 1/8	—	—	—	—	30	50	—
	400	F-425	388.	163	J	40 3/4	23	25 3/8	12 1/4	—	—	—	—	50	—	—
600	F-426	697.	209	K	48 3/4	23	25 3/8	12 1/4	—	—	—	—	—	—	—	

**NOTES:**

- \* All 400- to 1200-ampere switches have removable end plates.
- <sup>AA</sup> With Voidable Dual Cover Interlock.
- <sup>A</sup> Std.—NEC single-element fuse.
- <sup>Max.</sup>—Time Delay Fuse, suitable for starting characteristics of motor.
- \*\* Packaged 5 to a carton. All others individually packaged.
- † All Neutrals are provided with a grounding lug. Those marked † also contain a bonding position and a bonding screw.
- ‡ Supplied with parallel fusing (2 fuses per pole) unless otherwise specified.
- <sup>o</sup> Supplied without knockouts. Special drilling available when template is provided with order.

**Lugs, Hubs**—See Section 1.3, page 2 for data and prices.

**Fuses**—For maximum switch performance, use only fuses having lowest possible operating temperatures.

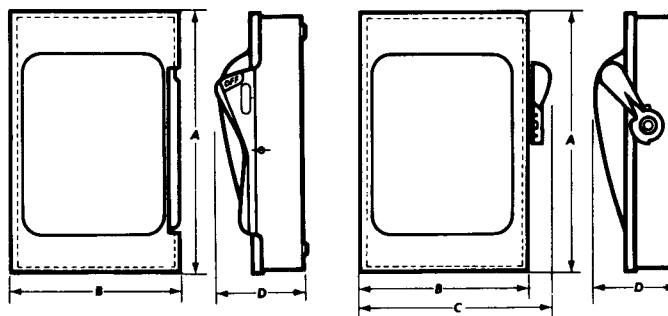
**Time Delay**—May be required to match the starting current of motors of more than standard Horsepower Ratings. (See Paragraph 217 UL 98, "Enclosed Switches.")

**Class J**—30-400-ampere indoor switches can be modified to accept Class J fuses by moving the load base to pre-drilled position. For 600-ampere indoor switches, order J-fuse modification kits as follows:—  
 250 volt, **Cat. No. W49813**, List Price **\$50.00**  
 600 volt, **Cat. No. W49815**, List Price **\$50.00**

Notes continued on page 3.



**VACU-BREAK® SAFETY SWITCHES**  
**HEAVY-DUTY INDOOR\*—NEMA 1 ENCLOSURE\*\***



FRONT OPERATED  
30-200 Amperes

SIDE OPERATED  
400 Amperes Up  
(Flat cover for 800, 1200A)

System	Rating Amperes	Cat. No.	List Price	Ship. Wt. Lb./Std. Pkg.	K.O. Diag. Sec. 1.3 Pg. 1	DIMENSIONS—Inches				HORSEPOWER RATINGS*								
						Height A	Width		Depth With Cover D	480 Volt AC		600 Volt AC		250 V DC				
							Box B	With Handle C		1 Ø 2W	3 Ø 3W	1 Ø 2W	3 Ø 3W		2W			
Std.	Max.	Std.	Max.	Std.	Max.	Std.	Max.	Std.										
<b>FUSIBLE 2 POLE, 2 FUSE; 3 POLE, 3 FUSE OR 4 POLE, 3 FUSE AND SN♦♦</b>											<b>480 VOLT AC, 600 VOLT AC</b>							
	30	F-351	\$46.	11	B	12¾	8	8	5	3	7½	5	15	3	10	7½	20	—
	60	F-352	55.	12	D	15½	8½	8½	5	5	20	15	30	10	25	15	50	
	100	F-353	102.	20	F	18½	11	11	6¼	10	30	25	60	15	40	30	75	
	200	F-354	150.	46	G	27½	13	13	9¼	25	50	50	100	30	50	60	100	
	400	F-355	389.	133	J	40¾	23	25¾	12¼			100				100		
	600	F-356	656.	168	K	48¾	23	25¾	12¼									
	800°	†F-357	1132.	370	—	60½	32¾	35¼	12½									
	1200°	†F-358	1488.	390	—	60½	32¾	35¼	12½									
<b>NON-FUSIBLE 2 POLE, NO FUSE OR 3 POLE, NO FUSE</b>											<b>480 VOLT AC, 600 VOLT AC, 250 VOLT DC</b>							
	30	NF-351	24.	** 32	A	8¾	6¾	6¾	4¾	7½		15		10		20		5
	60	NF-352	43.	10	B	12¾	8	8	5	20		30		25		50		10
	100	NF-353	68.	18	F	18½	11	11	6¼	30		50		40		75		20
	200	NF-354	105.	40	G	27½	13	13	9¼	50		50		50		100		40
	400	NF-355	235.	130	J	40¾	23	25¾	12¼			100						
	600	NF-356	418.	165	K	48¾	23	25¾	12¼									
	800°	NF-357	849.	367	—	60½	32¾	35¼	12½									
	1200°	NF-358	1140.	386	—	60½	32¾	35¼	12½									

Notes (continued from page 2)

Rejection-Type Current-Limiting—100-1200-ampere switches have provisions for rejection-type, current-limiting fuses. Add rejection-screw assemblies to fuse jaws.

Provision for Single Amp-Trap (Trademark Chase-Shawmut Co.) Current-Limiting Fuses—Available for 800A and 1200A switches. 2-Pole, \$50.00 List; 3-Pole, \$75.00 List.

Specifications—Apply as follows:

Federal—Specification W-S-865c: Indoor—Type HD, Box 1.

UL—Listed as "Enclosed Switches" (Suitable for use as Service Equipment) under file E4776.

NEMA—Standards: Indoor—Type HD (Heavy Duty).

♦♦ May be converted to 4 Pole, 3 Fuse and SN, 277/480 Volts A-C by mounting a separate Neutral Assembly Kit. See page 6.

For Indoor Enclosures, mounting holes are pre-drilled and tapped.



VACU-BREAK® SAFETY SWITCHES

HEAVY-DUTY RAIN-TIGHT\*—NEMA 3R ENCLOSURE††

240 VOLT FUSIBLE

System	Rating Amperes	Cat. No.	List Price	Ship Wgt. Lb Std. Pkg.	K.O. Diag. Sec. 1.3 Pg. 2	DIMENSIONS—Inches					HORSEPOWER RATINGS <sup>A</sup>				
						Height A	Width		Depth With Cover D	240 Volt AC		250 V DC			
							Box B	Rain-shed E		With Handle C	1 ∅ 2W		3 ∅ 3W		
						Std.	Max.	Std.	Max.	Std.					
<b>2 POLE, 2 FUSE OR 3 POLE, 2 FUSE AND SN</b>						<b>240 VOLT AC, 250 VOLT DC</b>									
	30	†NRH-321	\$39.	10	AA	10¼	7¾	7¾	9½	5⅝	1½	3	3	7½	5
	60	†NRH-322	73.	13	BB	12¼	8¾	8¾	10½	6	3	10	7½	15	10
	100	†NRH-323	95.	22	CC	18	11¾	11¾	13¾	7½	7½	15	15	30	20
	200	†NRH-324	136.	42	DD	24¼	13	13¾	15½	10	15	—	25	60	40
	400	NRH-325	333.	139	FF	40⅝	22⅞	26¾	27	12¼	—	—	50	100	—
600	NRH-326	622.	178	GG	49⅝	22⅞	26¾	27	12¼	—	—	75	100	—	
800 <sup>⊖</sup>	†NRH-327	1094.	380	—	61½	32¾	36⅝	37⅞	12½	—	—	100	—	—	
1200 <sup>⊖</sup>	†NRH-328	1502.	392	—	61½	32¾	36⅝	37⅞	12½	—	—	—	—	—	
<b>3 POLE, 3 FUSE</b>						<b>240 VOLT AC</b>									
	30	FRH-321	49.	10	AA	10¼	7¾	7¾	9½	5⅝	1½	3	3	7½	—
	60	FRH-322	77.	13	BB	12¼	8¾	8¾	10½	6	3	10	7½	15	—
	100	FRH-323	111.	22	CC	18	11¾	11¾	13¾	7½	7½	15	15	30	—
	200	FRH-324	152.	43	DD	24¼	13	13¾	15½	10	15	—	25	60	—
	400	FRH-325	340.	143	FF	40⅝	22⅞	26¾	27	12¼	—	—	50	100	—
600	FRH-326	708.	183	GG	49⅝	22⅞	26¾	27	12¼	—	—	75	100	—	
800 <sup>⊖</sup>	†FRH-327	1322.	387	—	61½	32¾	36⅝	37⅞	12½	—	—	100	—	—	
1200 <sup>⊖</sup>	†FRH-328	1706.	405	—	61½	32¾	36⅝	37⅞	12½	—	—	—	—	—	
<b>4 POLE, 3 FUSE AND SN</b>						<b>240 VOLT AC</b>									
	30	†NRH-421	49.	10	AA	10¼	7¾	7¾	9½	5⅝	—	—	3	7½	—
	60	†NRH-422	77.	13	BB	12¼	8¾	8¾	10½	6	—	—	7½	15	—
	100	†NRH-423	111.	24	CC	18	11¾	11¾	13¾	7½	—	—	15	30	—
	200	†NRH-424	152.	43	DD	24¼	13	13¾	15½	10	—	—	25	60	—
	400	NRH-425	370.	169	FF	40⅝	22⅞	26¾	27	12¼	—	—	50	100	—
600	NRH-426	739.	216	GG	49⅝	22⅞	26¾	27	12¼	—	—	75	100	—	
800 <sup>⊖</sup>	†NRH-427	1417.	405	—	61½	32¾	36⅝	37⅞	12½	—	—	100	—	—	
1200 <sup>⊖</sup>	†NRH-428	1833.	415	—	61½	32¾	36⅝	37⅞	12½	—	—	—	—	—	

NOTES:

- \* All 400- to 1200-ampere switches have removable end plates.
- †† With Voidable Cover Interlock.
- <sup>A</sup> Std.—NEC single-element fuse.
- Max.—Time Delay Fuse, suitable for starting characteristics of motor.
- † All Neutrals are provided with a grounding lug. Those marked † also contain a bonding position and a bonding screw.
- ⊖ Supplied with parallel fusing (2 fuses per pole) unless otherwise specified.
- ⊙ Supplied without knockouts. Special drilling available when template is provided with order.

Lugs, Hubs—See Section 1.3, page 2 for data and prices.

Fuses—For maximum switch performance, use only fuses having lowest possible operating temperatures.

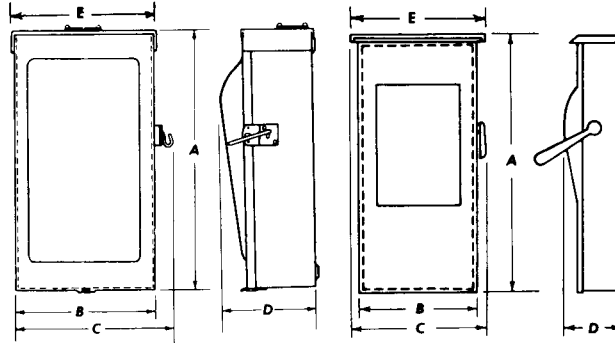
Time Delay—May be required to match the starting current of motors of more than standard Horsepower Ratings. (See Paragraph 217 UL 98, "Enclosed Switches.")

Class J—30-400-ampere indoor switches can be modified to accept Class J fuses by moving the load base to pre-drilled position. For 600-ampere Indoor switches, order J-fuse modification kits as follows:—  
250 volt, Cat. No. W49813, List Price \$50.00.  
600 volt, Cat. No. W49815, List Price \$50.00.

Notes continued on page 5.



**VACU-BREAK® SAFETY SWITCHES**  
**HEAVY-DUTY RAIN-TIGHT\*—NEMA 3R ENCLOSURE††**



30-200 Ampere

400 Ampere Up  
(Flat cover for 800, 1200A)

**600 VOLT**

System	Rating Amperes	Cat. No.	List Price	Ship. Wt. Lb./Std. Pkg.	K.O. Diag. Sec. 1.3 Pg. 2	DIMENSIONS—Inches					HORSEPOWER RATINGS <sup>A</sup>											
						Height A	Width			Depth With Cover D	480 Volt AC		600 Volt AC		250V DC 2W							
							Box B	Rain-shed E	With Handle C		1 ∅ 2W	3 ∅ 3W	1 ∅ 2W	3 ∅ 3W								
Std.	Max.	Std.	Max.	Std.	Max.	Std.	Max.	Std.	Max.	Std.												
<b>FUSIBLE</b>													<b>2 POLE, 2 FUSE; 3 POLE, 3 FUSE OR 4 POLE, 3 FUSE AND SN♦♦</b>					<b>480 VOLT AC, 600 VOLT AC</b>				
	30	FR-351	\$78.	13	BB	15 1/4	8 3/8	8 3/8	10 1/2	6 1/4	3	7 1/2	5	15	3	10	7 1/2	20	—			
	60	FR-352	93.	14	BB	15 1/4	8 3/8	8 3/8	10 1/2	6 1/4	5	20	15	30	10	25	15	40	—			
	100	FR-353	144.	24	CC	20	11 3/8	11 3/8	13 3/8	7 1/2	10	30	25	60	15	40	30	75	—			
	200	FR-354	198.	45	DD	27 1/4	13	13 3/8	15 5/8	10	25	50	50	100	30	50	60	100	—			
	400	FR-355	464.	144	FF	40 3/8	22 7/8	26 3/4	27	12 1/4	—	—	100	—	—	—	100	—				
	600	FR-356	913.	184	GG	49 3/8	22 7/8	26 3/4	27	12 1/4	—	—	—	—	—	—	—	—				
	800 <sup>o</sup>	FR-357	1447.	390	—	61 1/2	32 3/4	36 3/8	37 1/8	12 1/2	—	—	—	—	—	—	—	—				
	1200 <sup>o</sup>	FR-358	1905.	413	—	61 1/2	32 3/4	36 3/8	37 1/8	12 1/2	—	—	—	—	—	—	—	—				
<b>NON-FUSIBLE</b>													<b>2 POLE, NO FUSE OR 3 POLE, NO FUSE</b>					<b>480 VOLT AC, 600 VOLT AC, 250 VOLT DC</b>				
	30	NFR-351	43.	9	AA	10 1/4	7 3/8	7 3/8	9 1/2	5 3/8	7 1/2	—	15	—	10	—	20	—	5			
	60	NFR-352	76.	11	BB	12 1/4	8 3/8	8 3/8	10 1/2	6	20	—	30	—	25	—	50	—	10			
	100	NFR-353	107.	21	CC	18	11 3/8	11 3/8	13 3/8	7 1/2	30	—	50	—	40	—	75	—	20			
	200	NFR-354	130.	38	DD	24 1/4	13	13 3/8	15 5/8	10	50	—	50	—	50	—	100	—	40			
	400	NFR-355	322.	141	FF	40 3/8	22 7/8	26 3/4	27	12 1/4	—	—	100	—	—	—	—	—				
	600	NFR-356	645.	181	GG	49 3/8	22 7/8	26 3/4	27	12 1/4	—	—	—	—	—	—	—	—				
	800 <sup>o</sup>	NFR-357	1165.	387	—	61 1/2	32 3/4	36 3/8	37 1/8	12 1/2	—	—	—	—	—	—	—	—				
	1200 <sup>o</sup>	NFR-358	1556.	409	—	61 1/2	32 3/4	36 3/8	37 1/8	12 1/2	—	—	—	—	—	—	—	—				

**Notes (continued from page 4)**

**Rejection-Type Current-Limiting**—100-1200-ampere switches have provisions for rejection-type, current-limiting fuses. Add rejection-screw assemblies to fuse jaws.

**Provision for Single Amp-Trap (Trademark Chase-Shawmut Co.) Current-Limiting Fuses**—Available for 800A and 1200A switches. 2-Pole, \$50.00 List; 3-Pole, \$75.00 List.

**Specifications**—Apply as follows:

**Federal**—Specification W-S-865c: Raintight—Type NDS.

**UL**—Listed as "Enclosed Switches" (Suitable for use as Service Equipment) under file E4776.

**NEMA**—Standards: Raintight—Type ND (Normal Duty), exceed Type LD (Light Duty).

♦♦ May be converted to 4 Pole, 3 Fuse and SN, 277/480 Volts A-C by mounting a separate Neutral Assembly Kit. See page 6.

For Raintight Enclosures, mounting holes must be drilled and tapped as required.



**VACU-BREAK® SAFETY SWITCHES**  
**HEAVY-DUTY INDUSTRIAL TYPE—NEMA 12 ENCLOSURE**

**240 VOLT FUSIBLE**

System	Rating Amperes	Cat. No.	List Price	Ship. Wgt. Lb /Std. Pkg. of 1	DIMENSIONS—Inches				HORSEPOWER RATINGS <sup>A</sup>				
					Height A	Width		Depth with Cover D	240 V AC				250 V DC 2 W Std.
						Box B	With Handle C		1 Ø 2 W		3 Ø 3W		
									Std.	Max.	Std.	Max.	
<b>2 POLE, 2 FUSE OR 3 POLE, 2 FUSE AND SN*</b>					<b>240 VOLT AC, 250 VOLT DC</b>								
	30	F-221H	\$39.	12	15 3/4	8 3/4	11 1/4	6 1/2	1 1/2	3	3	7 1/2	5
	60	F-222H	52.	15	15 3/4	8 3/4	11 1/4	6 1/2	3	10	7 1/2	15	10
	100	F-223H	78.	24	20 3/4	11	13 3/4	7 3/4	7 1/2	15	15	30	20
	200	F-224H	131.	45	29 3/4	13	15 3/4	9 1/2	15	—	25	60	40
	400	F-225H	294.	139	40 3/4	22 3/4	27	12 1/4	—	—	50	100	50
	600	F-226H	513.	178	49 3/4	22 3/4	27	12 1/4	—	—	75	100	—
<b>3 POLE, 3 FUSE OR 4 POLE, 3 FUSE AND SN*</b>					<b>240 VOLT AC</b>								
	30	F-321H	49.	12	15 3/4	8 3/4	11 1/4	6 1/2	—	—	3	7 1/2	—
	60	F-322H	68.	15	15 3/4	8 3/4	11 1/4	6 1/2	—	—	7 1/2	15	—
	100	F-323H	105.	27	20 3/4	11	13 3/4	7 3/4	—	—	15	30	—
	200	F-324H	157.	46	29 3/4	13	15 3/4	9 1/2	—	—	25	60	—
	400	F-325H	346.	145	40 3/4	22 3/4	27	12 1/4	—	—	50	100	—
	600	F-326H	577.	190	49 3/4	22 3/4	27	12 1/4	—	—	75	100	—

\* FOR APPLICATIONS REQUIRING SOLID NEUTRAL—Order Insulated Groundable Neutral Kit, see below, and install in pre-drilled mounting position.

**NEUTRAL ASSEMBLY KIT**

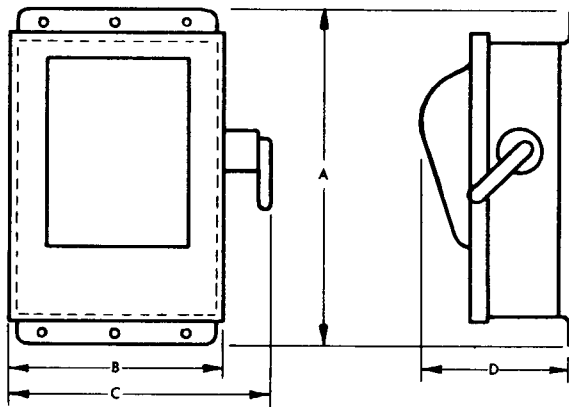
Rating Amperes	Neutral Cat. No.	List Price	Shipping Weight Lb /Std., Pkg of 1
30,60†	W47444†	\$6.50	1/2
100†	W47445†	13.00	1/2
200†	W47974†	13.00	1 1/4
400	W49658	30.00	4
600	W49660	30.00	4
800	W50778	60.00	10
1200	W50779	91.00	10

† All neutrals are provided with a grounding lug. Those marked † also contain a bonding position and a bonding screw.

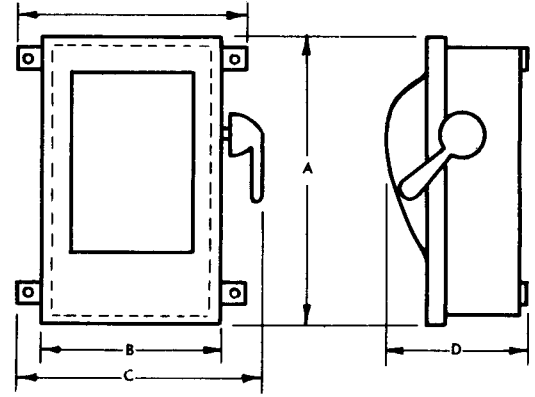
- <sup>A</sup> Std.—NEC single-element fuse.
- Max.—Time delay fuse, suitable for starting characteristics of motor.
- Voidable Dual Cover Interlock—Included with all NEMA 12 switches.
- Lugs—See Section 1.3, page 2 for data.
- Knockouts—Available on special order. Provide template with order.
- Fuses—For maximum switch performance, use only fuses having lowest possible operating temperatures.
- Time Delay—May be required to match the starting current of motors of more than standard Horsepower Ratings. (See Paragraph 217 UL 98, "Enclosed Switches.")
- Class J—30-400-ampere switches can be modified to accept Class J fuses by moving the load base to pre-drilled position. For 600-ampere switches, order J-fuse modification kits as follows:  
 250 volt, Cat. No. W49813, List Price \$50.00.  
 600 volt, Cat. No. W49815, List Price \$50.00.
- Rejection-Type Current-Limiting—100-1200-ampere switches have provisions for rejection-type, current-limiting fuses. Add rejection-screw assemblies to modified fuse jaws.
- Specifications—Apply as follows:  
 Federal—Meet Specification W-S-865c for Heavy Duty Switches.  
 UL—Listed as "Enclosed Switches" (Suitable for use as Service Equipment) under file #E4776.  
 NEMA—Standards: Special Purpose Enclosure—Type HD (Heavy Duty).



**VACU-BREAK® SAFETY SWITCHES**  
**HEAVY-DUTY INDUSTRIAL TYPE—NEMA 12 ENCLOSURE**



30-200 Ampere



400-600 Ampere

600 VOLT

System	Rating Amperes	Cat. No.	List Price	Ship. Wgt. Lb./Std. Pkg. of 1	DIMENSIONS—Inches				HORSEPOWER RATINGS <sup>A</sup>								
					Height A	Width		Depth With Cover D	480 Volt AC				600 Volt AC				250 V DC Std.
						Box B	With Handle C		1 Ø 2W		3 Ø 3W		1 Ø 2W		3 Ø 3W		
									Std.	Max.	Std.	Max.	Std.	Max.	Std.	Max.	
<b>FUSIBLE</b>																	
<b>2 POLE, 2 FUSE OR 3 POLE, 2 FUSE AND SN*</b>																	
<b>480 VOLT AC, 600 VOLT AC, 250 VOLT DC</b>																	
	30	F-251H	\$65.	12	15 3/4	8 3/4	11 1/4	6 1/2	3	7 1/2	—	—	3	10	—	—	5
	60	F-252H	68.	15	15 3/4	8 3/4	11 1/4	6 1/2	5	20	—	—	10	25	—	—	10
	100	F-253H	105.	24	20 3/4	11	13 3/4	7 3/4	10	30	—	—	15	40	—	—	20
	200	F-254H	157.	45	29 3/4	13	15 3/4	9 1/2	25	50	—	—	30	50	—	—	40
	400	F-255H	360.	140	40 3/4	22 3/4	27	12 1/4	—	—	—	—	—	—	—	—	50
	600	F-256H	569.	180	49 3/4	22 3/4	27	12 1/4	—	—	—	—	—	—	—	—	—
<b>3 POLE, 3 FUSE OR 4 POLE, 3 FUSE AND SN*</b>																	
<b>480 VOLT AC, 600 VOLT AC</b>																	
	30	F-351H	75.	15	15 3/4	8 3/4	11 1/4	6 1/2	—	—	5	15	—	—	7 1/2	20	—
	60	F-352H	78.	17	15 3/4	8 3/4	11 1/4	6 1/2	—	—	15	30	—	—	15	50	—
	100	F-353H	120.	27	20 3/4	11	13 3/4	7 3/4	—	—	25	60	—	—	30	75	—
	200	F-354H	193.	48	29 3/4	13	15 3/4	9 1/2	—	—	50	100	—	—	60	100	—
	400	F-355H	426.	150	40 3/4	22 3/4	27	12 1/4	—	—	—	—	—	—	100	—	—
	600	F-356H	720.	195	49 3/4	22 3/4	27	12 1/4	—	—	—	—	—	—	—	—	—
<b>NON-FUSIBLE</b>																	
<b>2 POLE, NO FUSE</b>																	
<b>480 VOLT AC, 600 VOLT AC, 250 VOLT DC</b>																	
	30	NF-251H	\$43.	10	15 3/4	8 3/4	11 1/4	6 1/2	7 1/2	—	—	—	—	—	—	—	5
	60	NF-252H	49.	12	15 3/4	8 3/4	11 1/4	6 1/2	20	—	—	—	—	—	—	—	10
	100	NF-253H	77.	20	20 3/4	11	13 3/4	7 3/4	30	—	—	—	—	—	—	—	20
	200	NF-254H	110.	43	29 3/4	13	15 3/4	9 1/2	50	—	—	—	—	—	—	—	40
	400	NF-255H	252.	125	40 3/4	22 3/4	27	12 1/4	—	—	—	—	—	—	—	—	50
	600	NF-256H	424.	160	49 3/4	22 3/4	27	12 1/4	—	—	—	—	—	—	—	—	—
<b>3 POLE, NO FUSE</b>																	
<b>480 VOLT AC, 600 VOLT AC</b>																	
	30	NF-351H	52.	10	15 3/4	8 3/4	11 1/4	6 1/2	—	—	15	—	—	—	20	—	—
	60	NF-352H	65.	12	15 3/4	8 3/4	11 1/4	6 1/2	—	—	30	—	—	—	50	—	—
	100	NF-353H	94.	20	20 3/4	11	13 3/4	7 3/4	—	—	50	—	—	—	75	—	—
	200	NF-354H	127.	45	29 3/4	13	15 3/4	9 1/2	—	—	50	—	—	—	100	—	—
	400	NF-355H	328.	130	40 3/4	22 3/4	27	12 1/4	—	—	—	—	—	—	—	—	—
	600	NF-356H	525.	165	49 3/4	22 3/4	27	12 1/4	—	—	—	—	—	—	—	—	—

See page 6 for notes.