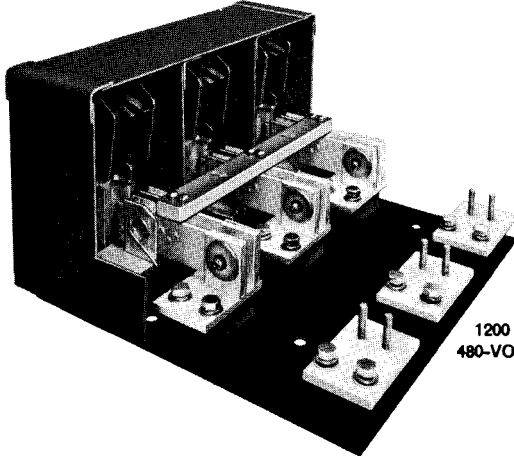




TYPE AV SWITCHES

Single-Throw, Load-Break, Dead Front



1200 AMPERE
480-VOLT SWITCH

The Type AV switch is an economical load break device which incorporates the proven reliability of the Square D safety switch with the high fault capacity of the Square D Bolt-Loc switch. Type AV switches are particularly suited for use as service entrance or circuit protecting equipment.

OPEN TYPE SWITCHES WITHOUT LUGS

Volts	Ampere Rating	2 Pole—2 Wire			2 Pole—3 Wire*			3 Pole—3 Wire		
		Type	Price	Weight	Type	Price	Weight	Type	Price	Weight

FUSIBLE (PRICES DO NOT INCLUDE FUSES)

240 AC	800	AVO-22080	\$178.	45	AVO-22080-N	\$227.	50	AVO-32080	\$243.	55
	1200	AVO-22120	214.	50	AVO-22120-N	288.	55	AVO-32120	313.	60
480 AC	800	AVO-24080	229.	55	AVO-24080-N	277.	60	AVO-34080	336.	65
	1200	AVO-24120	276.	60	AVO-24120-N	350.	65	AVO-34120	406.	70

NOT-FUSIBLE

240 AC	800	AVO-22080-U	\$165.	40	AVO-22080-NU	\$208.	45	AVO-32080-U	\$223.	50
	1200	AVO-22120-U	196.	45	AVO-22120-NU	255.	48	AVO-32120-U	285.	50
480 AC	800	AVO-24080-U	211.	50	AVO-24080-NU	256.	55	AVO-34080-U	313.	60
	1200	AVO-24120-U	256.	55	AVO-24120-NU	315.	60	AVO-34120-U	370.	65

*Suitable for use on 240-volt, three-phase, three-wire grounded "B" phase systems. Underwriters' Laboratories do not list 480-volt AC, two-pole, three-wire switches for use on single-phase, three-wire or three-phase, three-wire grounded "B" phase systems. Three-pole, three-wire switches must be used on these applications.

OPERATORS

	Front Operator			Side Operator		
	Type	Price	Weight	Type	Price	Weight
†Slow Make—Slow Break	AVFS-1	\$39.	10	—	—	—
Quick Make—Quick Break	AVFQ-1	85.	30	AVSQ-1	\$85.	30

†Slow-make—slow-break. Type AVFS-1 operators have not been tested by Underwriters' Laboratories.

ORDERING INFORMATION REQUIRED

- 1—Class and type number of switch.
- 2—Number of poles and wires.
- 3—Voltage and ampere rating
- 4—Class and type number of operator.

CLASS	9820
PAGE	2
FEBRUARY, 1969	

NEW LISTING



TYPE AV SWITCHES Single-Throw, Load-Break, Dead Front

Ratings: Type AV switches are available in current ratings of 800 and 1200 amperes at 240 and 480 volts AC. When equipped with NEMA Class L fuses these switches are suitable for use on systems with fault capacity of 100,000 amperes. Fusible Type AV switches with quick-make, quick-break operators are listed by Underwriters' Laboratories.

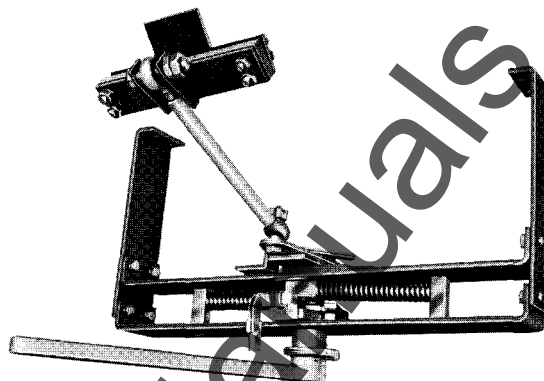
Construction Details: Type AV switches are front connected. All current-carrying parts are milled from high-conductivity copper which is silver-plated before assembly.

Multiple plate type arc quenchers and replaceable high temperature melting alloy arc tips are supplied on the 480-volt versions of the switch. Unique elongated construction of the expendable blades of the 240-volt switch confines pitting and burning to the non-current-carrying ends of the blades. Phase barriers are made of flame-retardant, glass-polyester material.

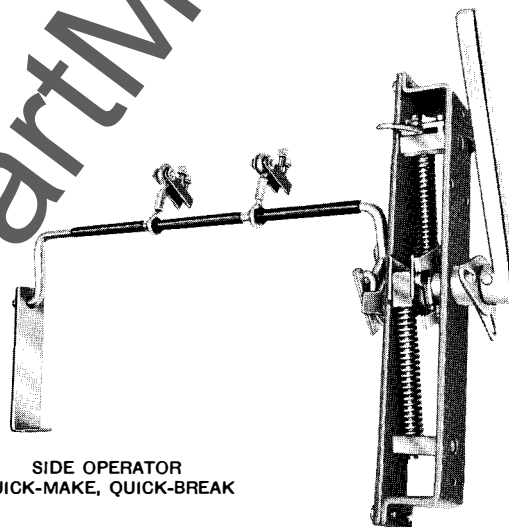
Fusible switches are supplied with provisions for NEMA Class L fuses. Fuse mounting bolts are supplied with each fusible switch.

Switches are supplied without lugs.

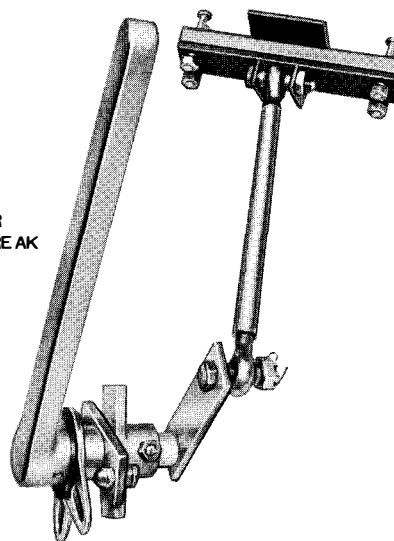
Operators: To provide the maximum of inventory flexibility, basic switches and three types of operators are listed as separate items. All operators have provisions for padlocking the switch in the open position.



FRONT OPERATOR
QUICK-MAKE, QUICK-BREAK



SIDE OPERATOR
QUICK-MAKE, QUICK-BREAK



FRONT OPERATOR
SLOW-MAKE, SLOW-BREAK