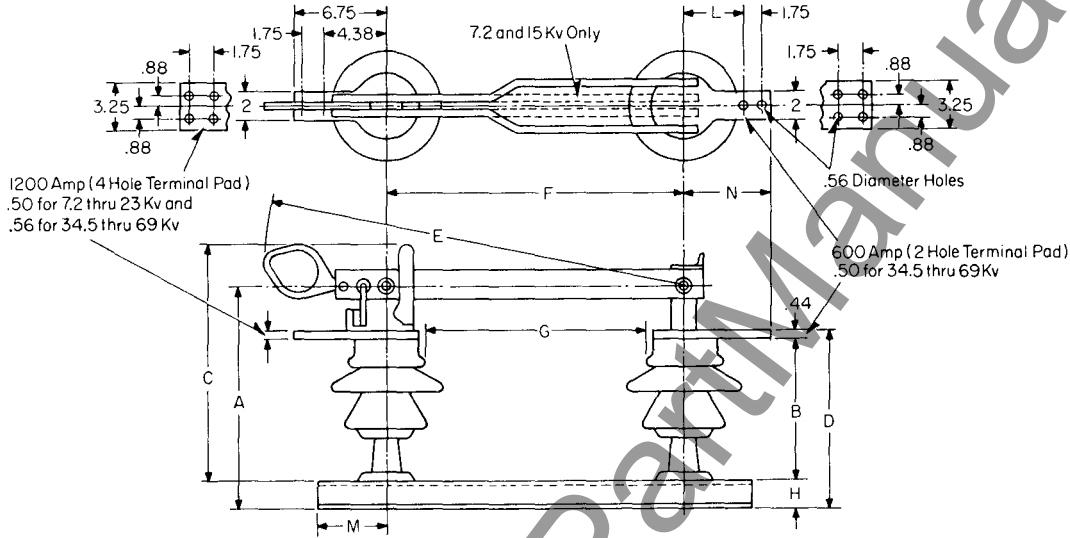


Westinghouse



**Outdoor Disconnect Switches**

Type LCO Hookstick operated disconnect switch, vertical mounted, single pole, single throw (SPDT) 7.2 to 69.0 KV, 600 and 1200 amperes



Line No.	Type of Insulator	KV	BIL	Amps	TR No.	Switch Style Number	Dimensions in Inches										
							A	B	C	D	E	F	G	H	L	M	N
1		7.2	95	600	1	146D017G02	12.88	7.5	13.25	10.19	21.50	15.0	10.31	2.25	3.75	4.50	6.12
2	Cap	14.4	110	600	4	146D017G06	15.38	10.0	15.75	12.69	21.50	15.0	9.69	2.25	3.75	4.50	6.12
3	and	23.0	150	600	7	146D017G10	17.38	12.0	17.75	14.69	30.50	24.0	18.25	2.25	3.75	4.50	6.12
4	Pin	34.5	200	600	10	146D017G14	20.38	15.0	20.75	17.75	30.50	24.0	17.94	2.25	3.75	4.50	6.12
5	(Gray)	46.0	250	600	13	146D017G18	24.12	18.0	23.75	21.50	36.50	30.0	22.25	3.00	3.75	5.50	6.12
6		69.0	300	600	16	146D017G22	35.12	29.0	34.75	32.50	48.50	42.0	33.88	3.00	3.75	5.50	6.12
7		7.2	95	1200	1	146D017G03	13.12	7.5	13.25	10.25	21.88	15.0	10.31	2.25	4.12	4.50	6.50
8	Cap	14.4	110	1200	4	146D017G07	15.62	10.0	15.75	12.75	21.88	15.0	9.69	2.25	4.12	4.50	6.50
9	and	23.0	150	1200	7	146D017G11	17.62	12.0	17.75	14.75	30.88	24.0	18.25	2.25	3.62	4.50	6.12
10	Pin	34.5	200	1200	10	146D017G15	20.62	15.0	20.75	17.81	30.88	24.0	17.94	2.25	3.62	4.50	6.12
11	(Gray)	46.0	250	1200	13	146D017G19	24.38	18.0	23.75	21.56	36.88	30.0	22.25	3.00	3.62	5.50	6.12
12		69.0	300	1200	16	146D017G23	35.38	29.0	34.75	32.56	48.88	42.0	33.88	3.00	3.62	5.50	6.12

Note: For base dimensions see TCS 36-171, page 19.

Customer \_\_\_\_\_ Address \_\_\_\_\_ G.O. \_\_\_\_\_

P.O. Number \_\_\_\_\_ Item \_\_\_\_\_ Approval

Apparatus \_\_\_\_\_ Construction

Line No. \_\_\_\_\_ Certified \_\_\_\_\_ Date \_\_\_\_\_ Other

**Westinghouse Electric Corporation**  
 Switchgear Division, Power Switching Equipment, East Pittsburgh, Pa.  
 Printed in USA

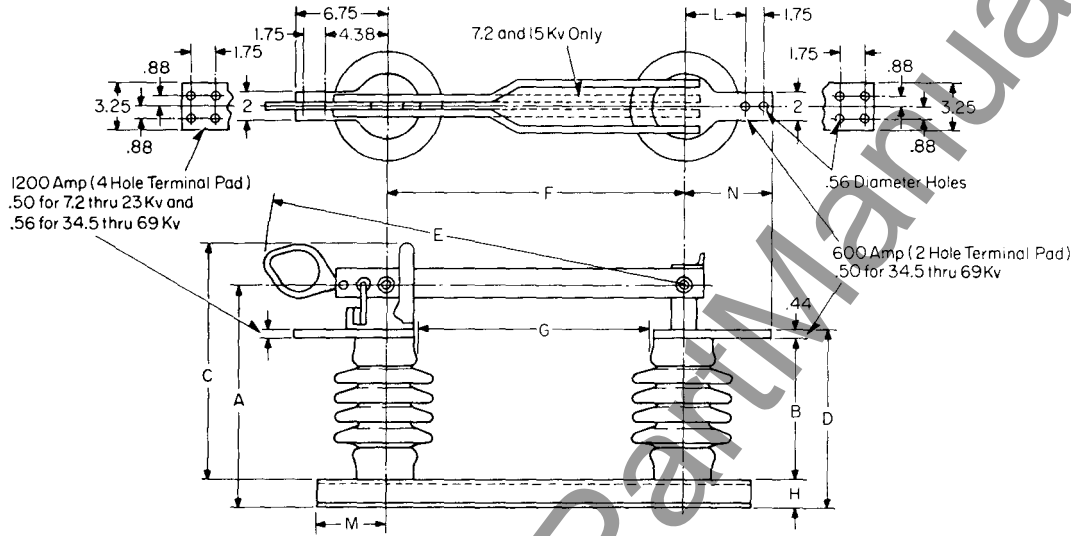
January, 1970  
 New Information  
 E, D/1969/DB

Westinghouse



**Outdoor Disconnect Switches**

Type LCO Hookstick operated disconnect switch, vertical mounted, single pole, single throw (SPST) 7.2 to 69.0 KV, 600 and 1200 amperes



Line No.	Type of Insulator	KV	BIL KV	Amps	TR No.	Switch Style Number	Dimensions in Inches										
							A	B	C	D	E	F	G	H	L	M	N
1		7.2	95	600	202	146D018G02	12.88	7.5	13.25	10.19	21.50	15.0	9.69	2.25	3.75	4.50	6.12
2	Station	14.4	110	600	205	146D018G06	15.38	10.0	15.75	12.69	21.50	15.0	9.69	2.25	3.75	4.50	6.12
3	Post	23.0	150	600	208	146D018G10	19.38	14.0	19.75	16.69	30.50	24.0	17.94	2.25	3.75	4.50	6.12
4	(Gray)	34.5	200	600	210	146D018G14	23.38	18.0	23.75	20.69	30.50	24.0	17.62	2.25	3.75	4.50	6.12
5		46.0	250	600	214	146D018G18	28.12	22.0	27.75	25.44	36.50	30.0	23.62	3.00	3.75	5.50	6.12
6		69.0	350	600	216	146D018G22	36.12	30.0	35.75	33.44	48.50	42.0	34.00	3.00	3.75	5.50	6.12
7		7.2	95	1200	202	146D018G03	13.12	7.5	13.25	10.25	21.88	15.0	9.69	2.25	4.12	4.50	6.50
8	Station	14.4	110	1200	205	146D018G07	15.62	10.0	15.75	12.75	21.88	15.0	9.69	2.25	4.12	4.50	6.50
9	Post	23.0	150	1200	208	146D018G11	19.62	14.0	19.75	16.75	30.88	24.0	17.94	2.25	3.62	4.50	6.12
10	(Gray)	34.5	200	1200	210	146D018G15	23.62	18.0	23.75	20.75	30.88	24.0	17.62	2.25	3.62	4.50	6.12
11		46.0	250	1200	214	146D018G19	28.38	22.0	27.75	25.50	36.88	30.0	23.62	3.00	3.62	5.50	6.12
12		69.0	350	1200	216	146D018G23	36.38	30.0	35.75	33.50	48.88	42.0	34.00	3.00	3.62	5.50	6.12

Note: For base dimensions, see TCS 36-171 page 19.

Customer \_\_\_\_\_ Address \_\_\_\_\_ G. O. \_\_\_\_\_

P.O. Number \_\_\_\_\_ Item \_\_\_\_\_ Approval

Apparatus \_\_\_\_\_ Reference

Line No. \_\_\_\_\_ Certified \_\_\_\_\_ Date \_\_\_\_\_ Construction

Westinghouse Electric Corporation  
Switchgear Division, Power Switching Equipment, East Pittsburgh, Pa.  
Printed in USA

January, 1970  
New Information  
E, D/1969/DB

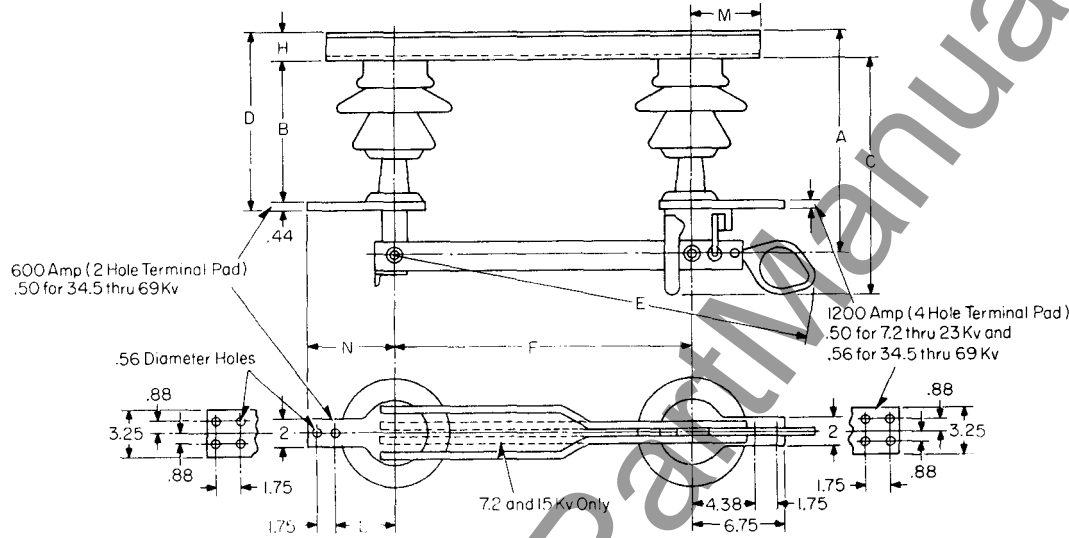
Other

Westinghouse



**Outdoor Disconnect Switches**

Type LCO Hookstick operated disconnect switch,  
inverted mounting, single pole, single throw (SPST)  
7.2 to 69.0 Kv, 600 and 1200 amperes



Line No.	Type of Insulator	KV	BIL	Amps	TR No.	Switch Style Number	Dimensions in Inches									
							A	B	C	D	E	F	H	L	M	N
1		7.2	95	600	1	146D017G26	12.88	7.5	13.25	10.19	21.50	15.0	2.25	3.75	4.50	6.12
2	Cap	14.4	110	600	4	146D017G30	15.38	10.0	15.75	12.69	21.50	15.0	2.25	3.75	4.50	6.12
3	and	23.0	150	600	7	146D017G34	17.38	12.0	17.75	14.69	30.50	24.0	2.25	3.75	4.50	6.12
4	Pin	34.5	200	600	10	146D017G38	20.38	15.0	20.75	17.75	30.50	24.0	2.25	3.75	4.50	6.12
5	(Gray)	46.0	250	600	13	146D017G42	24.12	18.0	23.75	21.50	36.50	30.0	3.00	3.75	5.50	6.12
6		69.0	350	600	16	146D017G46	35.12	29.0	34.75	32.50	48.50	42.0	3.00	3.75	5.50	6.12
7		7.2	95	1200	1	146D017G27	13.12	7.5	13.25	10.25	21.88	15.0	2.25	4.12	4.50	6.50
8	Cap	14.4	110	1200	4	146D017G31	15.62	10.0	15.75	12.69	21.88	15.0	2.25	4.12	4.50	6.50
9	and	23.0	150	1200	7	146D017G35	17.62	12.0	17.75	14.69	30.88	24.0	2.25	3.62	4.50	6.12
10	Pin	34.5	200	1200	10	146D017G39	20.62	15.0	20.75	17.75	30.88	24.0	2.25	3.62	4.50	6.12
11	(Gray)	46.0	250	1200	13	146D017G43	24.38	18.0	23.75	21.50	36.88	30.0	3.00	3.62	5.50	6.12
12		69.0	350	1200	16	146D017G47	35.38	29.0	34.75	32.50	48.88	42.0	3.00	3.62	5.50	6.12

Note: For base dimensions, see TCS 36-171 page 19.

Customer \_\_\_\_\_ Address \_\_\_\_\_ G. O. \_\_\_\_\_

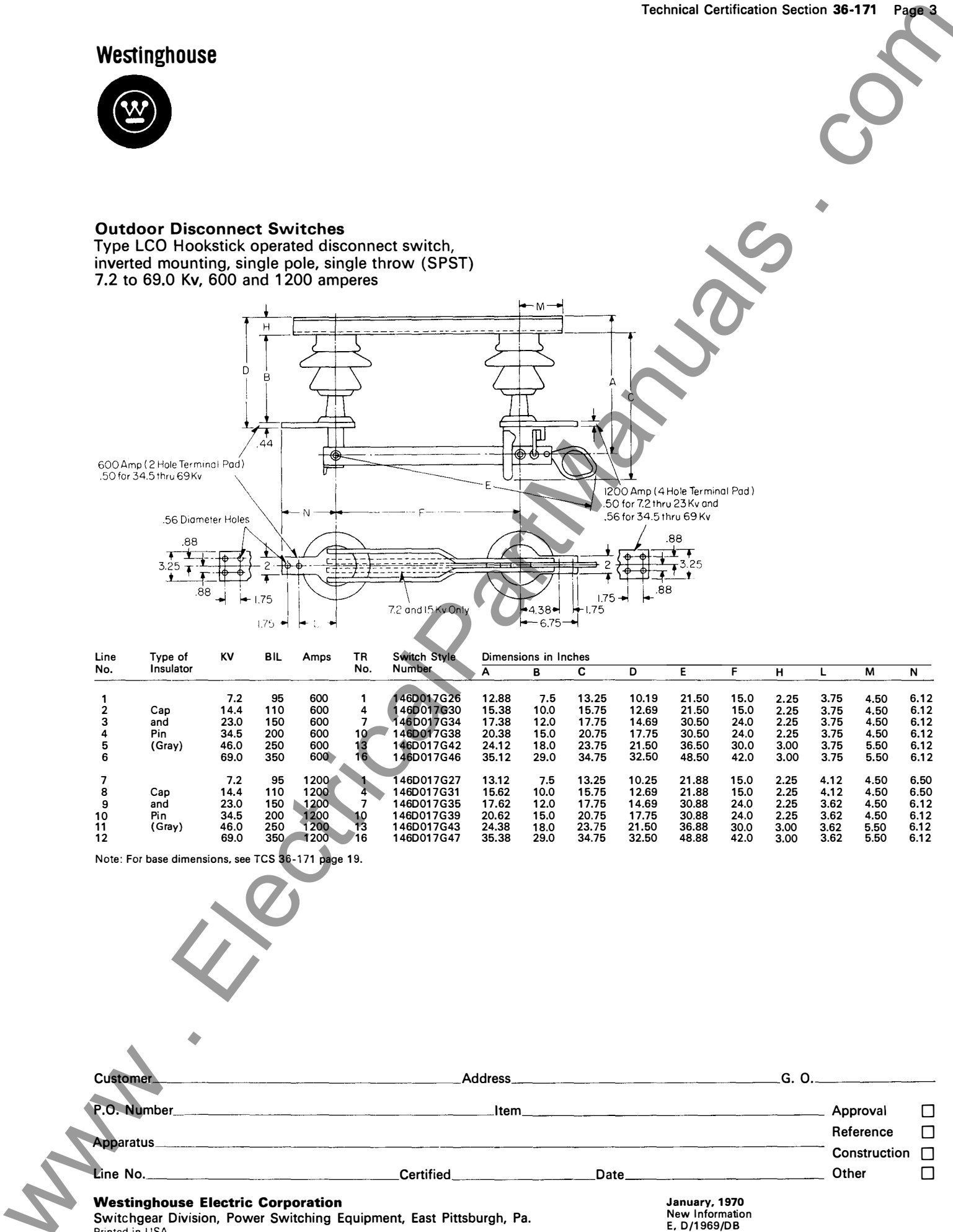
P.O. Number \_\_\_\_\_ Item \_\_\_\_\_ Approval

Apparatus \_\_\_\_\_ Reference

Line No. \_\_\_\_\_ Certified \_\_\_\_\_ Date \_\_\_\_\_ Construction

Westinghouse Electric Corporation  
Switchgear Division, Power Switching Equipment, East Pittsburgh, Pa.  
Printed in USA

January, 1970  
New Information  
E. D/1969/DB

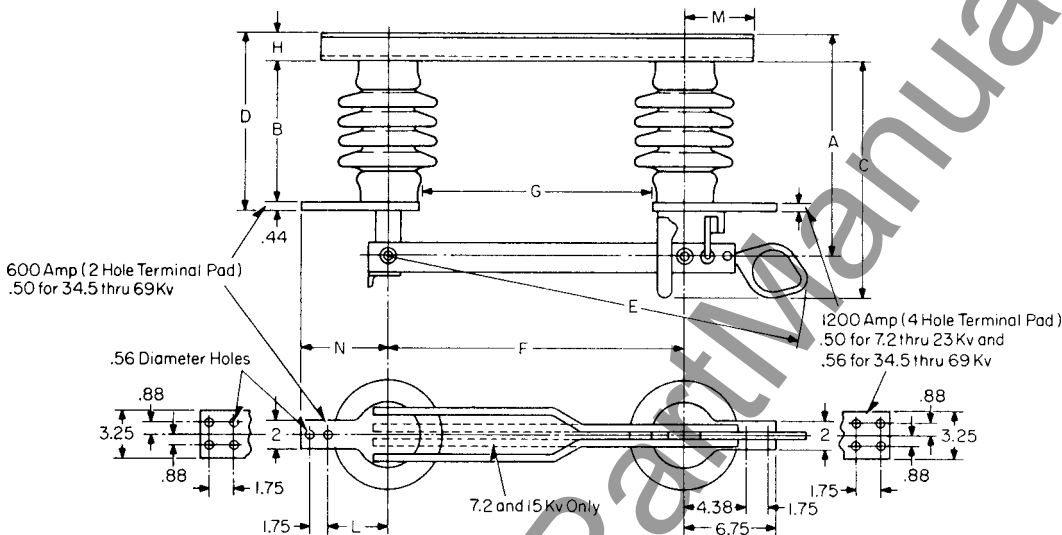


Westinghouse



**Outdoor Disconnect Switches**

Type LCO Hookstick operated disconnect switch,  
inverted mounting, single pole, single throw (SPST)  
7.2 to 69.0 KV, 600 and 1200 amperes



Line No.	Type of Insulator	KV	BIL	Amps	TR No.	Switch Style Number	Dimensions in Inches										
							A	B	C	D	E	F	G	H	L	M	N
1		7.2	95	600	202	146D018G26	12.88	7.5	13.25	10.19	21.50	15.0	9.69	2.25	3.75	4.50	6.12
2	Station	14.4	110	600	205	146D018G30	15.38	10.0	15.75	12.69	21.50	15.0	9.69	2.25	3.75	4.50	6.12
3	Post	23.0	150	600	208	146D018G34	19.38	14.0	19.75	16.69	30.50	24.0	17.94	2.25	3.75	4.50	6.12
4	(Gray)	34.5	200	600	210	146D018G38	23.38	18.0	23.75	20.69	30.50	24.0	17.62	2.25	3.75	4.50	6.12
5		46.0	250	600	214	146D018G42	28.12	22.0	27.75	25.44	36.50	30.0	23.62	3.00	3.75	5.50	6.12
6		69.0	350	600	216	146D018G46	36.12	30.0	35.75	33.44	48.50	42.0	34.00	3.00	3.75	5.50	6.12
7		7.2	95	1200	202	146D018G27	13.12	7.5	13.25	10.25	21.88	15.0	9.69	2.25	4.12	4.50	6.50
8	Station	14.4	110	1200	205	146D018G31	15.62	10.0	15.75	12.75	21.88	15.0	9.69	2.25	4.12	4.50	6.50
9	Post	23.0	150	1200	208	146D018G35	19.62	14.0	19.75	16.75	30.88	24.0	17.94	2.25	3.62	4.50	6.12
10	(Gray)	34.5	200	1200	210	146D018G39	23.62	18.0	23.75	20.75	30.88	24.0	17.62	2.25	3.62	4.50	6.12
11		46.0	250	1200	214	146D018G43	28.38	22.0	27.75	25.50	36.88	30.0	23.62	3.00	3.62	5.50	6.12
12		69.0	350	1200	216	146D018G47	36.38	30.0	35.75	33.50	48.88	42.0	34.00	3.00	3.62	5.50	6.12

Note: For base dimensions, see TCS 36-171 Page 19.

Customer \_\_\_\_\_ Address \_\_\_\_\_ G. O. \_\_\_\_\_

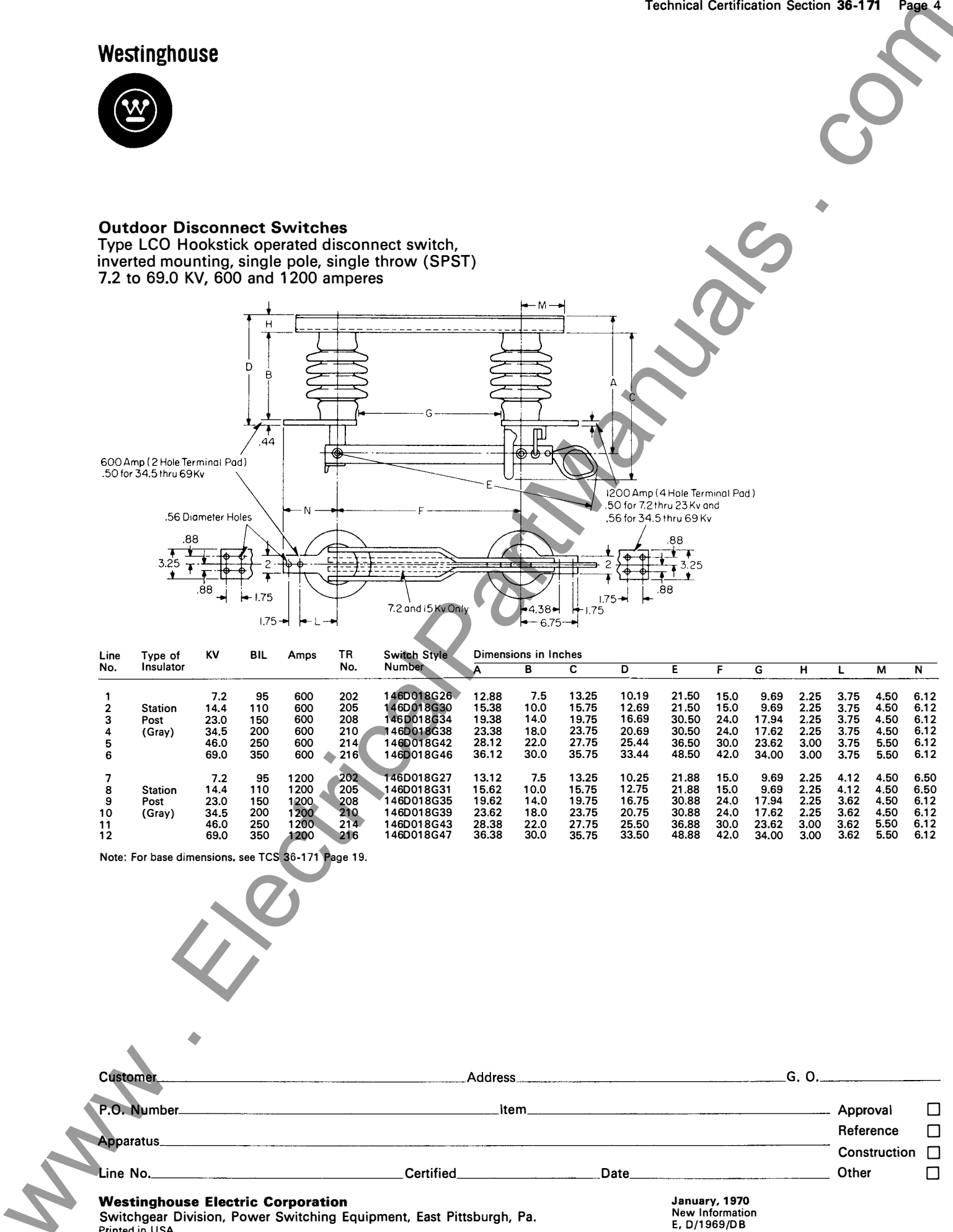
P.O. Number \_\_\_\_\_ Item \_\_\_\_\_ Approval

Apparatus \_\_\_\_\_ Reference

Line No. \_\_\_\_\_ Certified \_\_\_\_\_ Date \_\_\_\_\_ Construction

Westinghouse Electric Corporation  
Switchgear Division, Power Switching Equipment, East Pittsburgh, Pa.  
Printed in USA

January, 1970  
New Information  
E, D/1969/DB

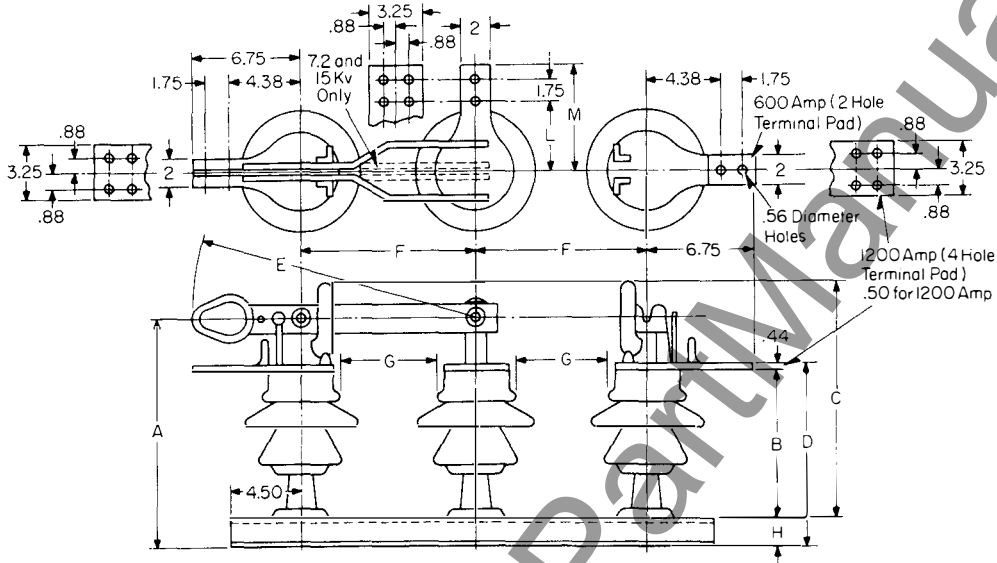


Westinghouse



**Outdoor Disconnect Switches**

Type LCO Hookstick operated disconnect switch, vertical mounted, single pole, double throw (SPDT) 7.2 to 69.0 KV, 600 and 1200 amperes



Line No.	Type of Insulator	KV	BIL	Amps	TR No.	Switch Style Number	Dimensions in Inches									
							A	B	C	D	E	F	G	H	L	M
1		7.2	95	600	1	146D014G02	12.88	7.5	13.25	10.19	21.69	15.0	10.31	2.25	3.75	6.12
2	Cap	14.4	110	600	4	146D014G06	15.38	10.0	15.75	12.69	21.69	15.0	9.69	2.25	3.75	6.12
3	and Pin	23.0	150	600	7	146D014G10	17.38	12.0	17.75	14.69	30.69	24.0	18.25	2.25	4.12	6.50
4	(Gray)	34.5	200	600	10	146D014G14	20.38	15.0	20.75	17.69	30.69	24.0	17.94	2.25	4.12	6.50
5		46.0	250	600	13	146D014G18	24.12	18.0	23.75	21.44	36.69	30.0	22.25	3.00	4.12	6.50
6		69.0	350	600	16	146D014G22	35.12	29.0	34.75	32.44	48.69	42.0	33.88	3.00	4.12	6.50
7		7.2	95	1200	1	146D014G03	13.12	7.5	13.25	10.25	22.06	15.0	10.31	2.25	4.12	6.50
8	Cap	14.4	110	1200	4	146D014G07	15.62	10.0	15.75	12.75	22.06	15.0	9.69	2.25	4.12	6.50
9	and Pin	23.0	150	1200	7	146D014G11	17.62	12.0	17.75	14.75	31.06	24.0	18.25	2.25	4.00	6.50
10	(Gray)	34.5	200	1200	10	146D014G15	20.62	15.0	20.75	17.75	31.06	24.0	17.94	2.25	4.00	6.50
11		46.0	250	1200	13	146D014G19	24.38	18.0	23.75	21.50	37.06	30.0	22.25	3.00	4.00	6.50
12		69.0	350	1200	16	146D014G23	35.38	29.0	34.75	32.50	49.06	42.0	33.88	3.00	4.00	6.50

Note: For base dimensions, see TCS 36-171 Page 19.

Customer \_\_\_\_\_ Address \_\_\_\_\_ G. O. \_\_\_\_\_

P.O. Number \_\_\_\_\_ Item \_\_\_\_\_ Approval

Apparatus \_\_\_\_\_ Reference

Line No. \_\_\_\_\_ Certified \_\_\_\_\_ Date \_\_\_\_\_ Construction

Westinghouse Electric Corporation  
Switchgear Division, Power Switching Equipment, East Pittsburgh, Pa.  
Printed in USA

January, 1970  
New Information  
E, D/1969/DB

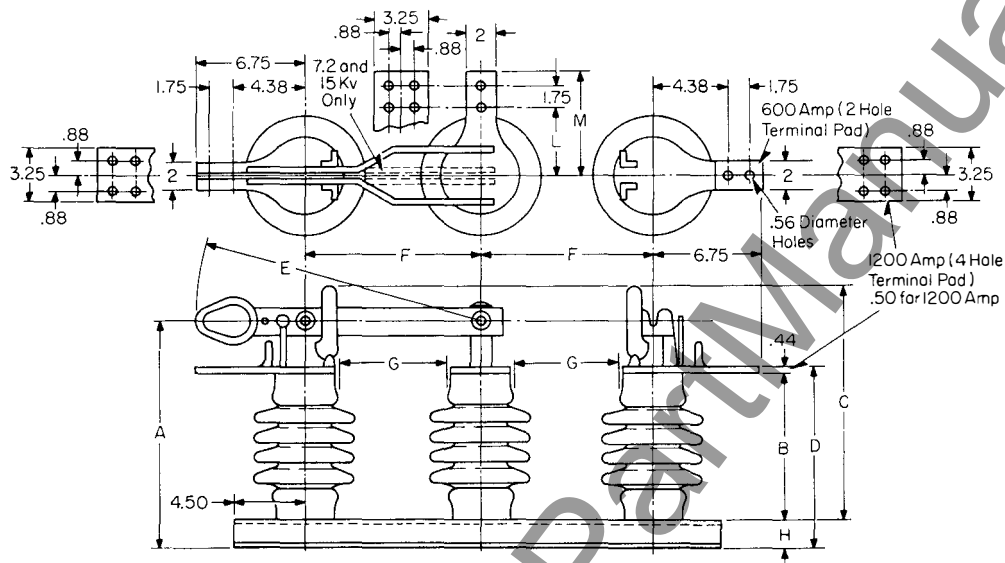
Other

Westinghouse



**Outdoor Disconnect Switches**

Type LCO Hookstick operated disconnect switch, vertical mounted, single pole, double throw (SPDT) 7.2 to 69.0 KV, 600 and 1200 amperes



Line No.	Type of Insulator	KV	BIL	Amps	TR No.	Switch Style Number	Dimensions in Inches									
							A	B	C	D	E	F	G	H	L	M
1	Station Post (Gray)	7.2	95	600	202	146G019G02	12.88	7.5	13.25	10.19	21.69	15.0	9.69	2.25	3.75	6.12
2		14.4	110	600	205	146G019G06	15.38	10.0	15.75	12.69	21.69	15.0	9.69	2.25	3.75	6.12
3		23.0	150	600	208	146G019G10	19.38	14.0	19.75	16.69	30.69	24.0	17.94	2.25	4.12	6.50
4		34.5	200	600	210	146G019G14	23.38	18.0	23.75	20.69	30.69	24.0	17.62	2.25	4.12	6.50
5		46.0	250	600	214	146G019G18	28.12	22.0	27.75	25.44	36.69	30.0	23.62	3.00	4.12	6.50
6		69.0	350	600	216	146G019G22	36.12	30.0	35.75	33.44	48.69	42.0	34.00	3.00	4.12	6.50
7	Station Post (Gray)	7.2	95	1200	202	146G019G03	13.12	7.5	13.25	10.25	22.06	15.0	9.69	2.25	4.12	6.50
8		14.4	110	1200	205	146G019G07	15.62	10.0	15.75	12.75	22.06	15.0	9.69	2.25	4.12	6.50
9		23.0	150	1200	208	146G019G11	19.62	14.0	19.75	16.75	31.06	24.0	17.94	2.25	4.00	6.50
10		34.5	200	1200	210	146G019G15	23.62	18.0	23.75	20.75	31.06	24.0	17.62	2.25	4.00	6.50
11		46.0	250	1200	214	146G019G19	28.38	22.0	27.75	25.50	37.06	30.0	23.62	3.00	4.00	6.50
12		69.0	350	1200	216	146G019G23	36.38	30.0	35.75	33.50	49.06	42.0	34.00	3.00	4.00	6.50

Note: For base dimensions, see TCS 36-171, Page 19.

Customer \_\_\_\_\_ Address \_\_\_\_\_ G. O. \_\_\_\_\_

P.O. Number \_\_\_\_\_ Item \_\_\_\_\_ Approval

Apparatus \_\_\_\_\_ Reference

Line No. \_\_\_\_\_ Certified \_\_\_\_\_ Date \_\_\_\_\_ Construction

Other

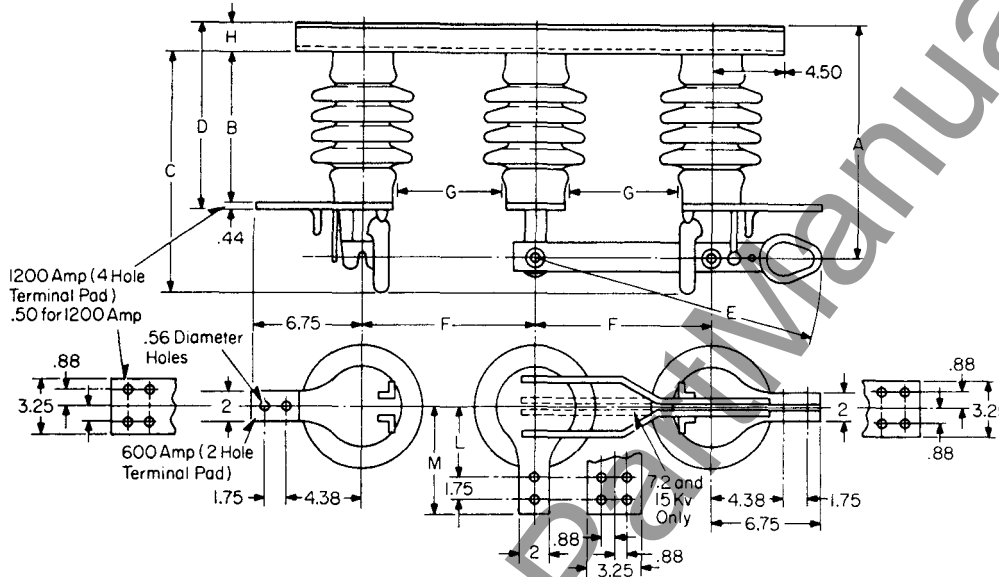


Westinghouse



**Outdoor Disconnect Switches**

Type LCO Hookstick operated disconnect switch,  
inverted mounting, single pole, double throw, (SPDT)  
7.2 to 69.0 KV, 600 and 1200 amperes



Line No.	Type of Insulator	KV	BIL	Amps	TR No.	Switch Style Number	Dimensions in Inches									
							A	B	C	D	E	F	G	H	L	M
1		7.2	95	600	202	146G019G26	12.88	7.5	13.25	10.19	21.69	15.0	9.69	2.25	3.75	6.12
2	Station	14.4	110	600	205	146G019G30	15.38	10.0	15.75	12.69	21.69	15.0	9.69	2.25	3.75	6.12
3	Post	23.0	150	600	208	146G019G34	19.38	14.0	19.75	16.69	30.69	24.0	17.94	2.25	4.12	6.50
4		34.5	200	600	210	146G019G38	23.38	18.0	23.75	20.69	30.69	24.0	17.62	2.25	4.12	6.50
5	(Gray)	46.0	250	600	214	146G019G42	28.12	22.0	27.75	25.44	36.69	30.0	23.62	3.00	4.12	6.50
6		69.0	350	600	216	146G019G46	36.12	30.0	35.75	33.44	48.69	42.0	34.00	3.00	4.12	6.50
7		7.2	95	1200	202	146G019G27	13.12	7.5	13.25	10.25	22.06	15.0	9.69	2.25	4.12	6.50
8	Station	14.4	110	1200	205	146G019G31	15.62	10.0	15.75	12.75	22.06	15.0	9.69	2.25	4.12	6.50
9	Post	23.0	150	1200	208	146G019G35	19.62	14.0	19.75	16.75	31.06	24.0	17.94	2.25	4.00	6.50
10		34.5	200	1200	210	146G019G39	23.62	18.0	23.75	20.75	31.06	24.0	17.62	2.25	4.00	6.50
11	(Gray)	46.0	250	1200	214	146G019G43	28.38	22.0	27.75	25.50	37.06	30.0	23.62	3.00	4.00	6.50
12		69.0	350	1200	216	146G019G47	36.38	30.0	35.75	33.50	49.06	42.0	34.00	3.00	4.00	6.50

Note: For base dimensions, see TCS 36-171 Page 19.

Customer \_\_\_\_\_ Address \_\_\_\_\_ G. O. \_\_\_\_\_

P.O. Number \_\_\_\_\_ Item \_\_\_\_\_ Approval

Apparatus \_\_\_\_\_ Reference

Line No. \_\_\_\_\_ Certified \_\_\_\_\_ Date \_\_\_\_\_ Construction

Westinghouse Electric Corporation  
Switchgear Division, Power Switching Equipment, East Pittsburgh, Pa.  
Printed in USA

January, 1970  
New Information  
E, D/1969/DB

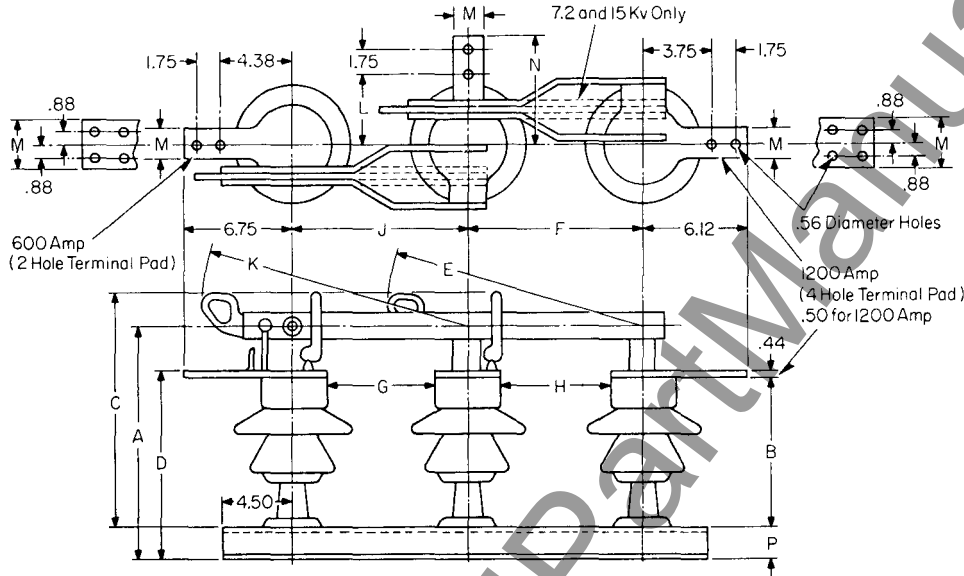
Other

Westinghouse



**Outdoor Disconnect Switches**

Type LCO Hookstick operated disconnect switch, vertical mounted, single pole, tandem, 7.2 to 69.0 KV, 600 and 1200 amperes



Line No.	Type of Insulator	KV	BIL	Amps	TR No.	Switch Style Number	Dimensions in Inches													
							A	B	C	D	E	F	G	H	J	K	L	M	N	P
1		7.2	95	600	1	146D015G02	12.88	7.5	13.25	10.19	21.50	15.50	13.81	10.81	18.50	24.50	3.75	2.0	6.12	2.25
2	Cap	14.4	110	600	4	146D015G06	15.38	10.0	15.75	12.69	21.50	15.50	13.19	10.19	18.50	24.50	3.75	2.0	6.12	2.25
3	and	23.0	150	600	7	146D015G10	17.38	12.0	17.75	14.69	30.50	24.50	20.75	18.75	26.50	32.50	4.75	2.0	7.12	2.25
4	Pin	34.5	200	600	10	146D015G14	20.38	15.0	20.75	17.69	30.50	24.50	20.44	18.44	26.50	32.50	4.75	2.0	7.12	2.25
5	(Gray)	46.0	250	600	13	146D015G18	24.12	18.0	23.75	21.44	35.50	30.50	22.75	23.75	30.50	36.50	4.75	2.0	7.12	3.00
6		69.0	350	600	16	146D015G22	35.12	29.0	34.75	32.44	48.50	42.50	34.38	34.38	42.50	47.50	4.75	2.0	7.12	3.00
7		7.2	95	1200	1	146D015G03	13.12	7.5	13.25	10.25	21.88	15.50	13.81	10.81	18.50	24.88	3.75	3.25	6.12	2.25
8	Cap	14.4	110	1200	4	146D015G07	15.62	10.0	15.75	12.75	21.88	15.50	13.19	10.19	18.50	24.88	3.75	3.25	6.12	2.25
9	and	23.0	150	1200	7	146D015G11	17.62	12.0	17.75	14.75	30.88	24.50	20.75	18.75	26.50	32.88	4.75	3.25	7.12	2.25
10	Pin	34.5	200	1200	10	146D015G15	20.62	15.0	20.75	17.75	30.88	24.50	20.44	18.44	26.50	32.88	4.75	3.25	7.12	2.25
11	(Gray)	46.0	250	1200	13	146D015G19	24.38	18.0	23.75	21.50	36.88	30.50	22.75	23.75	30.50	36.88	4.75	3.25	7.12	3.00
12		69.0	350	1200	16	146D015G23	35.38	29.0	34.75	32.50	48.88	42.50	34.38	34.38	42.50	48.88	4.75	3.25	7.12	3.00

Note: For base dimensions, see TCS 36-171, Page 19.

Customer \_\_\_\_\_ Address \_\_\_\_\_ G. O. \_\_\_\_\_

P.O. Number \_\_\_\_\_ Item \_\_\_\_\_ Approval

Apparatus \_\_\_\_\_ Reference

Line No. \_\_\_\_\_ Certified \_\_\_\_\_ Date \_\_\_\_\_ Construction

Other

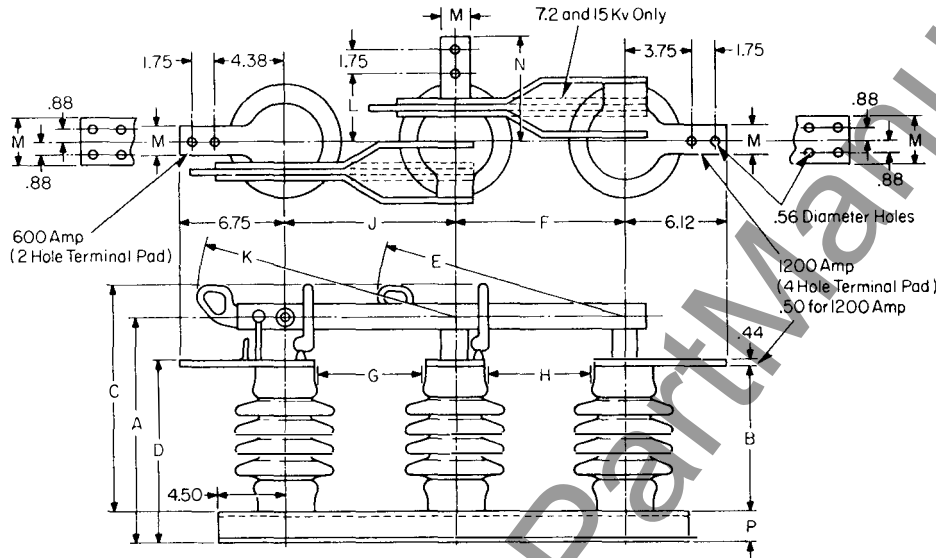
**Westinghouse Electric Corporation**  
 Switchgear Division, Power Switching Equipment, East Pittsburgh, Pa.  
 Printed in USA

January, 1970  
 New Information  
 E, D/1969/DB

Westinghouse



**Outdoor Disconnect Switches**  
 Type LCO Hookstick operated disconnect switch,  
 vertical mounted, single pole, tandem,  
 7.2 to 69.0 KV, 600 and 1200 amperes



Line No.	Type of Insulator	KV	BIL	Amps	TR No.	Switch Style Number	Dimensions in Inches													
							A	B	C	D	E	F	G	H	J	K	L	M	N	P
1		7.2	95	600	202	146D016G02	12.88	7.5	13.25	10.19	21.50	15.50	13.19	10.19	18.50	24.50	3.75	2.0	6.12	2.25
2	Station	14.4	110	600	205	146D016G06	15.38	10.0	15.75	12.69	21.50	15.50	13.19	10.19	18.50	24.50	3.75	2.0	6.12	2.25
3	Post	23.0	150	600	208	146D016G10	19.38	14.0	19.75	16.69	30.50	24.50	20.44	18.44	26.50	32.50	4.75	2.0	7.12	2.25
4	(Gray)	34.5	200	600	210	146D016G14	23.38	18.0	23.75	20.69	30.50	24.50	20.12	18.12	26.50	32.50	4.75	2.0	7.12	2.25
5		46.0	250	600	214	146D016G18	28.12	22.0	27.75	25.44	36.50	30.50	24.12	24.12	30.50	36.50	4.75	2.0	7.12	3.00
6		69.0	350	600	216	146D016G22	36.12	30.0	35.75	33.44	48.50	42.50	34.50	34.50	42.50	48.50	4.75	2.0	7.12	3.00
7		7.2	95	1200	202	146D016G03	13.12	7.5	13.25	10.25	21.88	15.50	13.19	10.19	18.50	24.50	3.75	3.25	6.12	2.25
8	Station	14.4	110	1200	205	146D016G07	15.62	10.0	15.75	12.75	21.88	15.50	13.19	10.19	18.50	24.50	3.75	3.25	6.12	2.25
9	Post	23.0	150	1200	208	146D016G11	19.62	14.0	19.75	16.75	30.88	24.50	20.44	18.44	26.50	32.50	4.75	3.25	7.12	2.25
10	(Gray)	34.5	200	1200	210	146D016G15	23.62	18.0	23.75	20.75	30.88	24.50	20.12	18.12	26.50	32.50	4.75	3.25	7.12	2.25
11		46.0	250	1200	214	146D016G19	28.38	22.0	27.75	25.50	36.88	30.50	24.12	24.12	30.50	36.50	4.75	3.25	7.12	3.00
12		69.0	350	1200	216	146D016G23	36.38	30.0	35.75	33.50	48.88	42.50	34.50	34.50	42.50	48.50	4.75	3.25	7.12	3.00

Note: For base dimensions, see TCS 36-171, Page 19.

Customer \_\_\_\_\_ Address \_\_\_\_\_ G. O. \_\_\_\_\_

P.O. Number \_\_\_\_\_ Item \_\_\_\_\_ Approval

Apparatus \_\_\_\_\_ Reference

Line No. \_\_\_\_\_ Certified \_\_\_\_\_ Date \_\_\_\_\_ Construction

Other

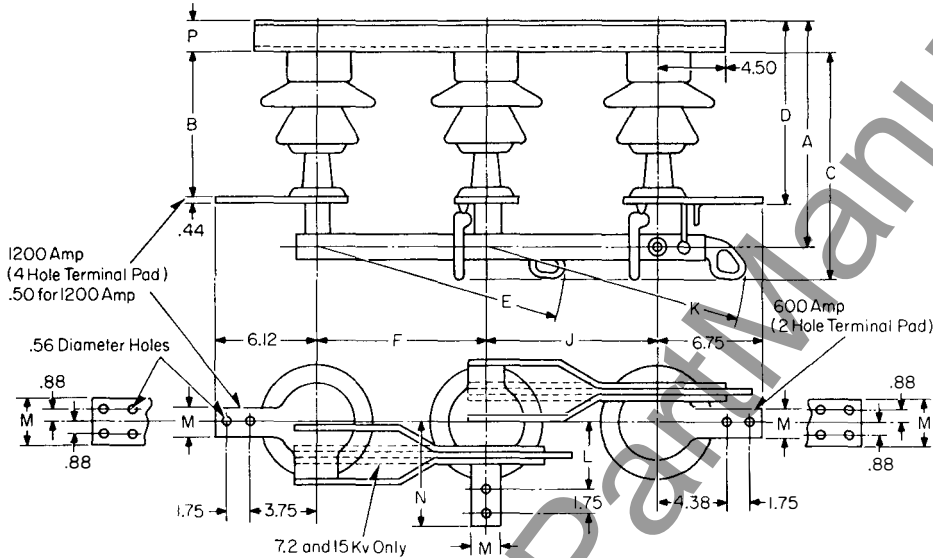
**Westinghouse Electric Corporation**  
 Switchgear Division, Power Switching Equipment, East Pittsburgh, Pa.  
 Printed in USA

January, 1970  
 New Information  
 E, D/1969/DB

Westinghouse



**Outdoor Disconnect Switches**  
 Type LCO Hookstick operated disconnect switch,  
 inverted mounting, single pole, tandem,  
 7.2 to 69.0 KV, 600 and 1200 amperes



Line No.	Type of Insulator	KV	BIL	Amps	TR No.	Switch Style Number	Dimensions in Inches											
							A	B	C	D	E	F	J	K	L	M	N	P
1		7.2	95	600	1	146D015G26	12.88	7.5	13.25	10.19	21.50	15.50	18.50	24.50	3.75	2.0	6.12	2.25
2	Cap	14.4	110	600	4	146D015G30	15.38	10.0	15.75	12.69	21.50	15.50	18.50	24.50	3.75	2.0	6.12	2.25
3	and	23.0	150	600	7	146D015G34	17.38	12.0	17.75	14.69	30.50	24.50	26.50	32.50	4.75	2.0	7.12	2.25
4	Pin	34.5	200	600	10	146D015G38	20.38	15.0	20.75	17.69	30.50	24.50	26.50	32.50	4.75	2.0	7.12	2.25
5	(Gray)	46.0	250	600	13	146D015G42	24.12	18.0	23.75	21.44	35.50	30.50	30.50	36.50	4.75	2.0	7.12	3.00
6		69.0	350	600	16	146D015G46	35.12	29.0	34.75	32.44	48.50	42.50	42.50	47.50	4.75	2.0	7.12	3.00
7		7.2	95	1200	1	146D015G27	13.12	7.5	13.25	10.25	21.88	15.50	18.50	24.88	3.75	3.25	6.12	2.25
8	Cap	14.4	110	1200	4	146D015G31	15.62	10.0	15.75	12.75	21.88	15.50	18.50	24.88	3.75	3.25	6.12	2.25
9	and	23.0	150	1200	7	146D015G35	17.62	12.0	17.75	14.75	30.88	24.50	26.50	32.88	4.75	3.25	7.12	2.25
10	Pin	34.5	200	1200	10	146D015G39	20.62	15.0	20.75	17.75	30.88	24.50	26.50	32.88	4.75	3.25	7.12	2.25
11	(Gray)	46.0	250	1200	13	146D015G43	24.38	18.0	23.75	21.50	36.88	30.50	30.50	36.88	4.75	3.25	7.12	3.00
12		69.0	350	1200	16	146D015G47	35.38	29.0	34.75	32.50	48.88	42.50	42.50	48.88	4.75	3.25	7.12	3.00

Note: For base dimensions, see TCS 36-171, Page 19.

Customer \_\_\_\_\_ Address \_\_\_\_\_ G. O. \_\_\_\_\_

P.O. Number \_\_\_\_\_ Item \_\_\_\_\_ Approval

Apparatus \_\_\_\_\_ Reference

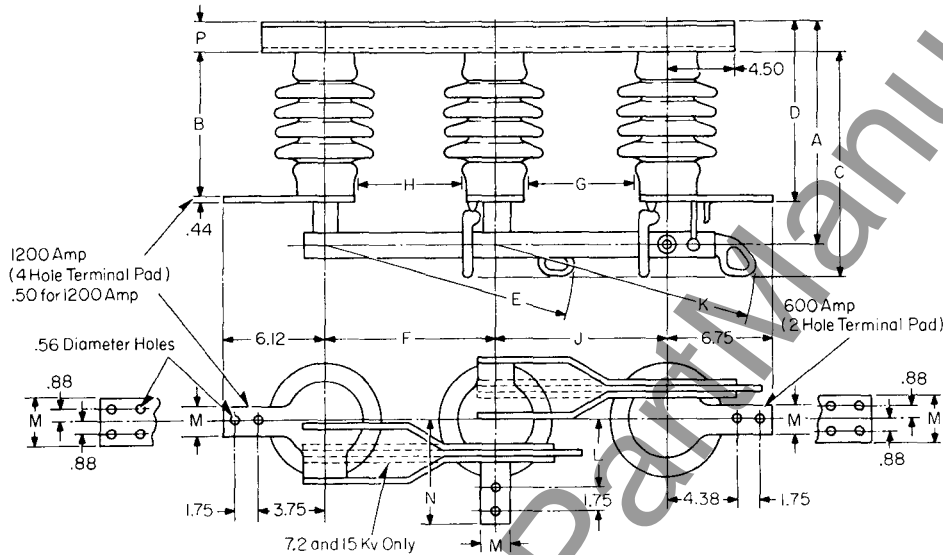
Line No. \_\_\_\_\_ Certified \_\_\_\_\_ Date \_\_\_\_\_ Construction

Other

Westinghouse



**Outdoor Disconnect Switches**  
 Type LCO Hookstick operated disconnect switch,  
 inverted mounting, single pole, tandem,  
 7.2 to 69.0 KV, 600 and 1200 amperes



Line No.	Type of Insulator	KV	BIL	Amps	TR No.	Switch Style Number	Dimensions in Inches													
							A	B	C	D	E	F	G	H	J	K	L	M	N	P
1		7.2	95	600	202	146D016G26	12.88	7.5	13.25	10.19	21.50	15.50	13.19	10.19	18.50	24.50	3.75	2.0	6.12	2.25
2	Station	14.4	110	600	205	146D016G30	15.38	10.0	15.75	12.69	21.50	15.50	13.19	10.19	18.50	24.50	3.75	2.0	6.12	2.25
3	Post	23.0	150	600	208	146D016G34	19.38	14.0	19.75	16.69	30.50	24.50	20.44	18.44	26.50	32.50	4.75	2.0	7.12	2.25
4	(Gray)	34.5	200	600	210	146D016G38	23.38	18.0	23.75	20.69	30.50	24.50	20.12	18.12	26.50	32.50	4.75	2.0	7.12	2.25
5		46.0	250	600	214	146D016G42	28.12	22.0	27.75	25.44	36.50	30.50	24.12	24.12	30.50	36.50	4.75	2.0	7.12	3.00
6		69.0	350	600	216	146D016G46	36.12	30.0	35.75	33.44	48.50	42.50	34.50	34.50	48.50	48.50	4.75	2.0	7.12	3.00
7		7.2	95	1200	202	146D016G27	13.12	7.5	13.25	10.25	21.88	15.50	13.19	10.19	18.50	24.50	3.75	3.25	6.12	2.25
8	Station	14.4	110	1200	205	146D016G31	15.62	10.0	15.75	12.75	21.88	15.50	13.19	10.19	18.50	24.50	3.75	3.25	6.12	2.25
9	Post	23.0	150	1200	208	146D016G35	19.62	14.0	19.75	16.75	30.88	24.50	20.44	18.44	26.50	32.50	4.75	3.25	6.12	2.25
10	(Gray)	34.5	200	1200	210	146D016G39	23.62	18.0	23.75	20.75	30.88	24.50	20.12	18.12	26.50	32.50	4.75	3.25	7.12	2.25
11		46.0	250	1200	214	146D016G43	28.38	22.0	27.75	25.50	36.88	30.50	24.12	24.12	30.50	36.50	4.75	3.25	7.12	3.00
12		69.0	350	1200	216	146D016G47	36.38	30.0	35.75	33.50	48.88	42.50	34.50	34.50	48.50	48.50	4.75	3.25	7.12	3.00

Note: For base dimensions, see TCS 36-171, Page 19.

Customer \_\_\_\_\_ Address \_\_\_\_\_ G. O. \_\_\_\_\_

P.O. Number \_\_\_\_\_ Item \_\_\_\_\_ Approval

Apparatus \_\_\_\_\_ Reference

Line No. \_\_\_\_\_ Certified \_\_\_\_\_ Date \_\_\_\_\_ Construction

Westinghouse Electric Corporation  
 Switchgear Division, Power Switching Equipment, East Pittsburgh, Pa.  
 Printed in USA

January, 1970  
 New Information  
 E, D/1969/DB

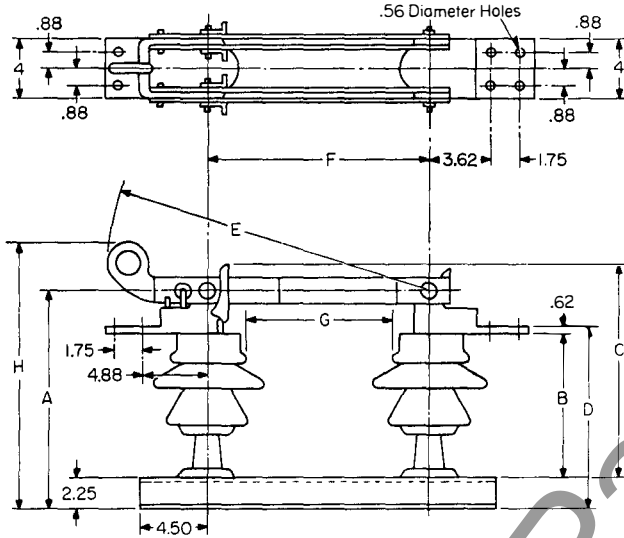
Other

Westinghouse



**Outdoor Disconnect Switches**

Type LCO Hookstick operated disconnect switch, vertical and inverted mountings, single pole, single throw (SPST), 7.2 to 34.5 KV, 2000 amperes



Line No.	Type of Insulator	KV	BIL	Amps	TR No.	Switch Style Number	Dimensions in Inches							
							A	B	C	D	E	F	G	H
<b>Single Throw - Vertical Mounting</b>														
1	Cap	7.2	95	2000	1	146D017G01	14.00	7.5	.....	11.19	22.19	15.0	10.31	18.19
2	and	14.4	110	2000	4	146D017G05	16.50	10.0	.....	13.69	22.19	15.0	9.69	20.69
3	Pin	23.0	150	2000	7	146D017G09	18.50	12.0	18.44	15.69	31.19	24.0	18.69	22.69
4	(Gray)	34.5	200	2000	10	146D017G13	21.50	15.0	21.44	18.69	31.19	24.0	17.94	25.69
<b>① Single Throw - Inverted Mounting</b>														
5	Cap	7.2	95	2000	1	146D017G25	14.00	7.5	.....	11.19	22.19	15.0	10.31	18.19
6	and	14.4	110	2000	4	146D017G29	16.50	10.0	.....	13.69	22.19	15.0	9.69	20.69
7	Pin	23.0	150	2000	7	146D017G33	18.50	12.0	18.44	15.69	31.19	24.0	18.69	22.69
8	(Gray)	34.5	200	2000	10	146D017G37	21.50	15.0	21.44	18.69	31.19	24.0	17.94	25.69

① This type of switch is similar to the vertical type except for reversed insulators.  
 Note: For base dimensions, see TCS 36-171, Page 19.

Customer \_\_\_\_\_ Address \_\_\_\_\_ G. O. \_\_\_\_\_

P.O. Number \_\_\_\_\_ Item \_\_\_\_\_ Approval

Apparatus \_\_\_\_\_ Reference

Line No. \_\_\_\_\_ Certified \_\_\_\_\_ Date \_\_\_\_\_ Construction

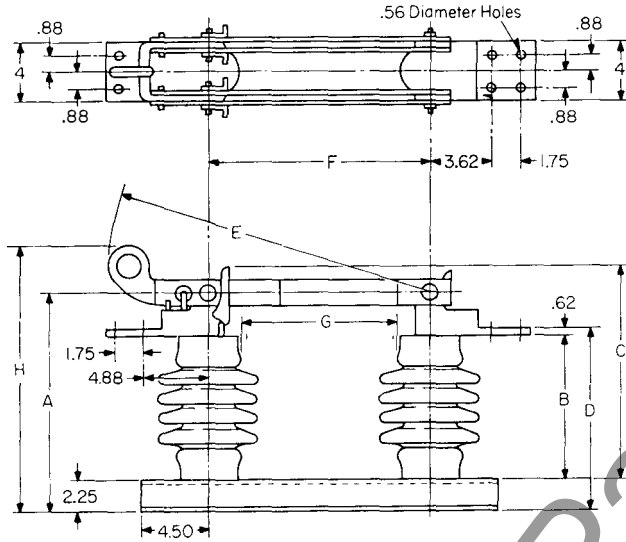
Other

Westinghouse



**Outdoor Disconnect Switches**

Type LCO Hookstick operated disconnect switch, vertical and inverted mounting, single pole, single throw (SPST) 7.2 to 34.5 KV, 2000 amperes



Line No.	Type of Insulator	KV	BIL	Amps	TR No.	Switch Style Number	Dimensions in Inches							
							A	B	C	D	E	F	G	H
<b>Single Throw – Vertical Mounting</b>														
1		7.2	95	2000	202	146D018G01	14.00	7.5	.....	11.19	22.19	15.0	9.69	18.19
2	Station	14.4	110	2000	205	146D018G05	16.50	10.0	.....	13.69	22.19	15.0	9.69	20.69
3	Post	23.0	150	2000	208	146D018G09	20.50	14.0	20.44	17.69	31.19	24.0	17.94	24.69
4	(Gray)	34.5	200	2000	210	146D018G13	24.50	18.0	24.44	21.69	31.19	24.0	17.62	28.69
<b>①Single Throw – Inverted Mounting</b>														
5		7.2	95	2000	202	146D018G25	14.00	7.5	.....	11.19	22.19	15.0	9.69	18.19
6	Station	14.4	110	2000	205	146D018G29	16.50	10.0	.....	13.69	22.19	15.0	9.69	20.69
7	Post	23.0	150	2000	208	146D018G33	20.50	14.0	20.44	17.69	31.19	24.0	17.94	24.69
8	(Gray)	34.5	200	2000	210	146D018G37	24.50	18.0	20.44	21.69	31.19	24.0	17.62	28.69

① This type of switch is similar to the vertical type except for reversed insulators.  
Note: For base dimensions, see TCS 36-171, Page 19.

Customer \_\_\_\_\_ Address \_\_\_\_\_ G. O. \_\_\_\_\_

P.O. Number \_\_\_\_\_ Item \_\_\_\_\_ Approval

Apparatus \_\_\_\_\_ Reference

Line No. \_\_\_\_\_ Certified \_\_\_\_\_ Date \_\_\_\_\_ Construction

Westinghouse Electric Corporation  
Switchgear Division, Power Switching Equipment, East Pittsburgh, Pa.  
Printed in USA

January, 1970  
New Information  
E, D/1969/DB

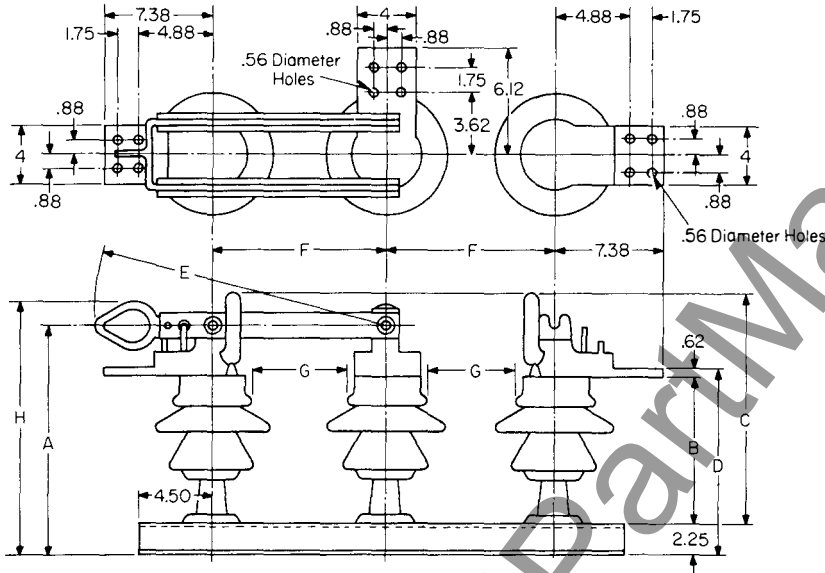
Other

Westinghouse



**Outdoor Disconnect Switches**

Type LCO Hookstick operated disconnect switch, vertical and inverted mountings, single pole, double throw (SPDT), 7.2 to 34.5 KV, 2000 amperes



Line No.	Type of Insulator	KV	BIL	Amps	TR No.	Switch Style Number	Dimensions in Inches							
							A	B	C	D	E	F	G	H
<b>Double Throw – Vertical Mount Type</b>														
1	Cap	7.2	95	2000	1	146D014G01	14.00	7.5	.....	11.19	23.0	15.0	10.31	15.25
2	and	14.4	110	2000	4	146D014G05	16.50	10.0	.....	13.69	23.0	15.0	9.69	17.75
3	Pin	23.0	150	2000	7	146D014G09	18.50	12.0	18.44	15.69	32.0	24.0	18.25	19.75
4	(Gray)	34.5	200	2000	10	146D014G13	21.50	15.0	21.44	18.69	32.0	24.0	17.94	22.75
<b>① Double Throw – Inverted Mount Type</b>														
5	Cap	7.2	95	2000	1	146D014G25	14.00	7.5	.....	11.19	23.0	15.0	10.31	15.25
6	and	14.4	110	2000	4	146D014G29	16.50	10.0	.....	13.69	23.0	15.0	9.69	17.75
7	Pin	23.0	150	2000	7	146D014G33	18.50	12.0	18.44	15.69	32.0	24.0	18.25	19.75
8	(Gray)	34.5	200	2000	10	146D014G37	21.50	15.0	21.44	18.69	32.0	24.0	17.94	22.75

① This type mounting is similar to the vertical type, except for reversed insulators.  
 Note: For base dimensions, see TCS 36-171, Page 19.

Customer \_\_\_\_\_ Address \_\_\_\_\_ G. O. \_\_\_\_\_

P.O. Number \_\_\_\_\_ Item \_\_\_\_\_ Approval

Apparatus \_\_\_\_\_ Reference

Line No. \_\_\_\_\_ Certified \_\_\_\_\_ Date \_\_\_\_\_ Construction

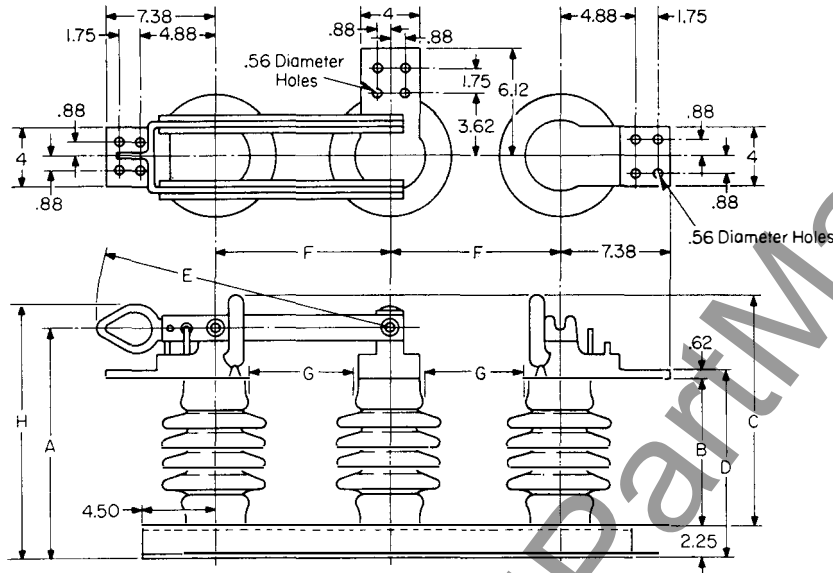
Other

Westinghouse



**Outdoor Disconnect Switches**

Type LCO Hookstick operated disconnect switch, vertical and inverted mountings, single pole, double throw, (SPDT) 7.2 to 34.5 KV, 2000 amperes



Line No.	Type of Insulator	KV	BIL	Amps	TR No.	Switch Style Number	Dimensions in Inches							
							A	B	C	D	E	F	G	H
<b>Double Throw - Vertical Mount Type</b>														
1	Station	7.2	95	2000	202	146D019G01	14.00	7.5	.....	11.19	23.0	15.0	9.69	15.25
2	Post	14.4	110	2000	205	146D019G05	16.50	10.0	.....	13.69	23.0	15.0	9.69	17.75
3	(Gray)	23.0	150	2000	208	146D019G09	20.50	14.0	20.44	17.69	32.0	24.0	17.94	21.75
4		34.5	200	2000	210	146D019G13	24.50	18.0	24.44	21.69	32.0	24.0	17.62	25.75
<b>① Double Throw - Inverted Mount Type</b>														
5	Station	7.2	95	2000	202	146D019G25	14.00	7.5	.....	11.19	23.0	15.0	9.69	15.25
6	Post	14.4	110	2000	205	146D019G29	16.50	10.0	.....	13.69	23.0	15.0	9.69	17.75
7	(Gray)	23.0	150	2000	208	146D019G33	20.50	14.0	20.44	17.69	32.0	24.0	17.94	21.75
8		34.5	200	2000	210	146D019G37	24.50	18.0	24.44	21.69	32.0	24.0	17.62	25.75

① This type mounting is similar to the vertical type, except for reversed insulators.  
 Note: For base dimensions, see TCS 36-171, Page 19.

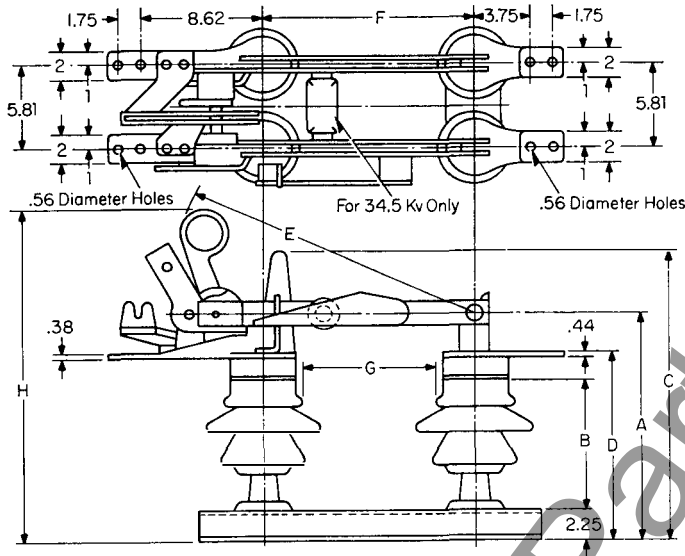
Customer \_\_\_\_\_ Address \_\_\_\_\_ G. O. \_\_\_\_\_  
 P.O. Number \_\_\_\_\_ Item \_\_\_\_\_ Approval   
 Apparatus \_\_\_\_\_ Reference   
 Line No. \_\_\_\_\_ Certified \_\_\_\_\_ Date \_\_\_\_\_ Construction   
 Other

Westinghouse



**Outdoor Disconnect Switches**

Type RBO Hookstick operated disconnect switch, vertical mounted, single pole, single throw, (SPST)  
7.2 to 34.5 KV, 400 and 600 amperes



Line No.	Type of Insulator	KV	BIL	Amps	TR No.	Switch Style Number	Dimensions in Inches							
							A	B	C	D	E	F	G	H
1	Cap	7.2	95	400	1	146D012G01	15.06	7.5	16.69	12.38	21.50	15.0	10.31	22.12
2	and	14.4	110	400	4	146D012G03	17.56	10.0	19.19	14.88	21.50	15.0	9.69	24.62
3	Pin	23.0	150	400	7	146D012G05	19.56	12.0	21.19	16.88	24.25	18.0	12.25	26.62
4	(Gray)	34.5	200	400	10	146D012G07	22.56	15.0	24.19	19.88	30.25	24.0	17.94	29.62
5	Cap	7.2	95	600	1	146D012G02	15.06	7.5	16.69	12.38	21.50	15.0	10.31	22.12
6	and	14.4	110	600	4	146D012G04	17.56	10.0	19.19	14.88	21.50	15.0	9.69	24.62
7	Pin	23.0	150	600	7	146D012G06	19.56	12.0	21.19	16.88	24.25	18.0	12.25	26.62
8	(Gray)	34.5	200	600	10	146D012G08	22.56	15.0	24.19	19.88	30.25	24.0	17.94	29.62

Note: For base dimensions, see TCS 36-171, Page 19.

Customer \_\_\_\_\_ Address \_\_\_\_\_ G. O. \_\_\_\_\_

P.O. Number \_\_\_\_\_ Item \_\_\_\_\_ Approval

Apparatus \_\_\_\_\_ Construction

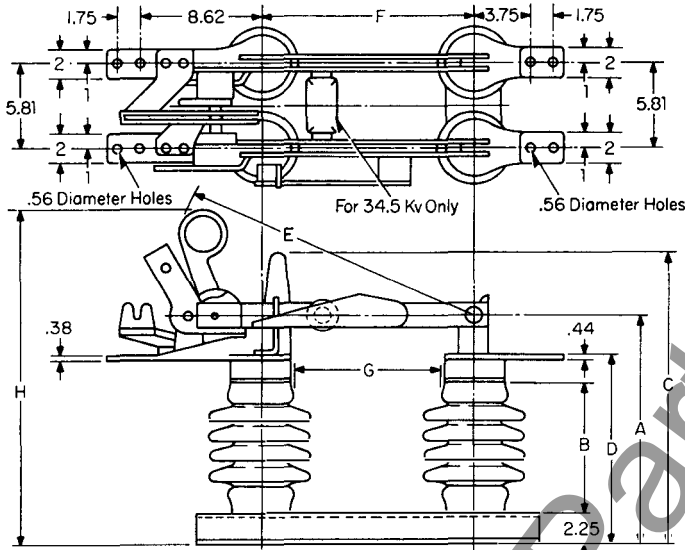
Line No. \_\_\_\_\_ Certified \_\_\_\_\_ Date \_\_\_\_\_ Other

Westinghouse



**Outdoor Disconnect Switches**

Type RBO Hookstick operated disconnect switch, vertical mounted, single pole, single throw, (SPST) 7.2 to 34.5 KV, 400 and 600 amperes



Line No.	Type of Insulator	KV	BIL	Amps	TR No.	Switch Style Number	Dimensions in Inches							
							A	B	C	D	E	F	G	H
1	Station	7.2	95	400	202	146D011G01	15.06	7.5	16.69	12.38	21.50	15.0	9.69	22.12
2	Post	14.4	110	400	205	146D011G03	17.56	10.0	19.19	14.88	21.50	15.0	9.69	24.62
3	(Gray)	23.0	150	400	208	146D011G05	21.56	14.0	23.19	18.88	24.25	18.0	11.94	28.62
4		34.5	200	400	210	146D011G07	25.56	18.0	27.19	22.88	30.25	24.0	17.62	32.62
5	Station	7.2	95	600	202	146D011G02	15.06	7.5	16.69	12.38	21.50	15.0	9.69	22.12
6	Post	14.4	110	600	205	146D011G04	17.56	10.0	19.19	14.88	21.50	15.0	9.69	24.62
7	(Gray)	23.0	150	600	208	146D011G06	21.56	14.0	23.19	18.88	24.25	18.0	11.94	28.62
8		34.5	200	600	210	146D011G08	25.56	18.0	27.19	22.88	30.25	24.0	17.62	32.62

Note: For base dimensions, see TCS 36-171, Page 19.

Customer \_\_\_\_\_ Address \_\_\_\_\_ G. O. \_\_\_\_\_

P.O. Number \_\_\_\_\_ Item \_\_\_\_\_ Approval

Apparatus \_\_\_\_\_ Construction

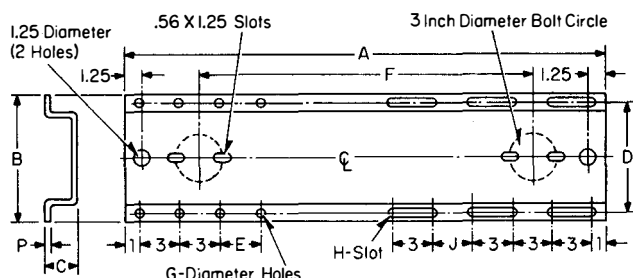
Line No. \_\_\_\_\_ Certified \_\_\_\_\_ Date \_\_\_\_\_ Other

Westinghouse



**Outdoor Disconnect Switches**

Standard type base for LCO and RBO Hookstick operated disconnect switches.



SPST: Indicates Single Pole Single Throw  
 SPDT: Indicates Single Pole Double Throw

Note:  
 The Line Drawn Between Centerline of Insulators and Designated as "F" on this Drawing is Shown With Actual Dimensions on TCS-36-171 Pages 1 thru 18

Kv	Amperes	Type of Switch	Dimensions in Inches									
			A	B	C	D	E	J	G-Dia. (& No.)	H Slot (& No.)	P	
7.2/14.4	600-1200-2000	LCO SPST	24.0	9.00	2.25	7.00	....	....	....	.750 (6)	.75 x 3.75 (4)	.19
23/34.5	600-1200-2000	LCO SPST	33.0	9.00	2.25	7.00	....	....	....	.750 (6)	.75 x 3.75 (4)	.19
46.0	600-1200	LCO SPST	41.0	10.25	3.00	8.25	3.00	3.00	3.00	.750 (10)	.75 x 3.75 (6)	.25
69.0	600-1200	LCO SPST	53.0	10.25	3.00	8.25	3.00	3.00	3.00	.750 (14)	.75 x 3.75 (6)	.25
7.2/14.4	600-1200-2000	LCO SPDT	39.0	9.00	2.25	7.00	....	....	....	.750 (6)	.75 x 3.75 (4)	.19
23.0/34.5	600-1200-2000	LCO SPDT	57.0	9.00	2.25	7.00	....	....	....	.750 (6)	.75 x 3.75 (4)	.19
46.0	600-1200	LCO SPDT	69.5	10.25	3.00	8.25	3.00	3.00	3.00	.750 (18)	.75 x 3.75 (8)	.25
69.0	600-1200	LCO SPDT	93.5	10.25	3.00	8.25	3.00	3.00	3.00	.750 (22)	.75 x 3.75 (10)	.25
7.2/14.4	600-1200	LCO TANDEM	43.0	9.00	2.25	7.00	....	....	....	.750 (6)	.75 x 3.75 (4)	.19
23.0/34.5	600-1200	LCO TANDEM	60.0	9.00	2.25	7.00	....	....	....	.750 (6)	.75 x 3.75 (4)	.19
46.0	600-1200	LCO TANDEM	69.5	10.25	3.00	8.25	3.00	3.00	3.00	.750 (18)	.75 x 3.75 (8)	.25
69.0	600-1200	LCO TANDEM	93.5	10.25	3.00	8.25	3.00	3.00	3.00	.750 (22)	.75 x 3.75 (10)	.25
7.2/14.4	400-600	RBO SPST	24.0	9.00	2.25	7.00	....	....	....	.750 (6)	.75 x 3.75 (4)	.19
23.0/34.5	400-600	RBO SPST	33.0	9.00	2.25	7.00	....	....	....	.750 (6)	.75 x 3.75 (4)	.19

Customer \_\_\_\_\_ Address \_\_\_\_\_ G. O. \_\_\_\_\_

P.O. Number \_\_\_\_\_ Item \_\_\_\_\_ Approval

Apparatus \_\_\_\_\_ Reference

Line No. \_\_\_\_\_ Certified \_\_\_\_\_ Date \_\_\_\_\_ Construction

Westinghouse Electric Corporation  
 Switchgear Division, Power Switching Equipment, East Pittsburgh, Pa.  
 Printed in USA

January, 1970  
 New Information  
 E, D/1969/DB

Other