

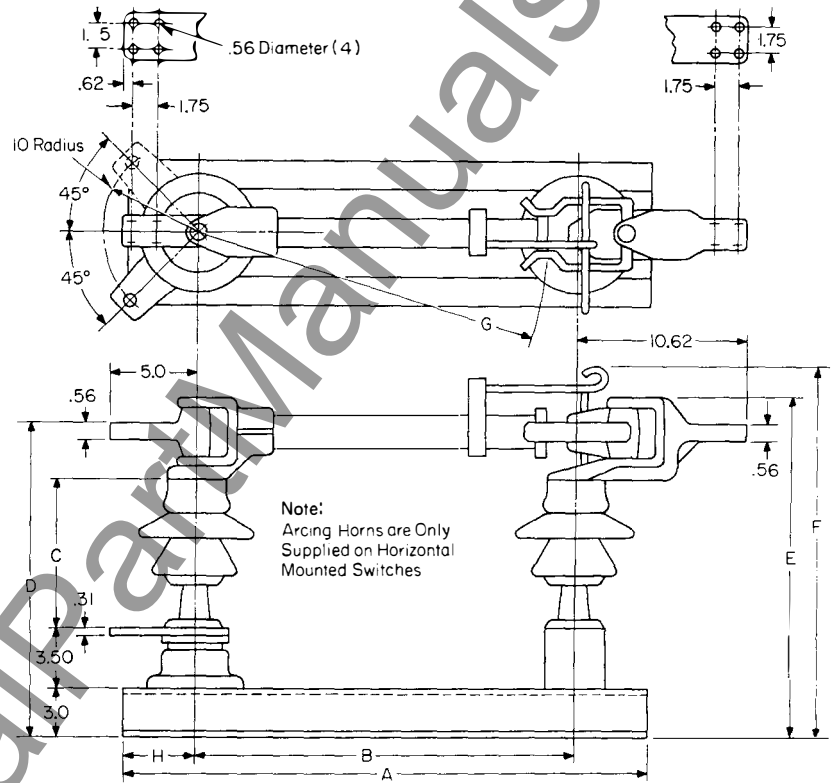
Westinghouse



**Type RL-2 Outdoor
Disconnecting Switches**

7.2 Kv to 69 Kv
600 and 1200 Amperes

Horizontal and Vertical Mounting, Cap and Pin Insulators.



Line No.	Kv	Amps	BIL Kv	Dimensions in Inches							
				A	B	C	D	E	F	G	H
1	7.2	600	95	26.0	16.0	7.5	17.81	20.5	23.91	14.25	5.0
2	14.4	600	110	26.0	16.0	10.0	20.31	23.0	26.41	14.25	5.0
3	23.0	600	150	35.0	24.0	12.0	22.31	25.0	28.41	22.25	5.5
4	34.5	600	200	35.0	24.0	15.0	25.31	28.0	31.41	22.25	5.5
5	46.0	600	250	41.0	30.0	18.0	28.31	31.0	34.41	28.25	5.5
6	69.0	600	350	53.0	42.0	29.0	39.31	42.0	45.41	40.25	5.5
7	7.2	1200	95	26.0	16.0	7.5	17.81	20.5	23.91	13.76	5.0
8	14.4	1200	110	26.0	16.0	10.0	20.31	23.0	26.41	13.76	5.0
9	23.0	1200	150	35.0	24.0	12.0	22.31	25.0	28.41	21.76	5.5
10	34.5	1200	200	35.0	24.0	15.0	25.31	28.0	31.41	21.76	5.5
11	46.0	1200	250	41.0	30.0	18.0	28.31	31.0	34.41	27.76	5.5
12	69.0	1200	350	53.0	42.0	29.0	39.31	42.0	45.41	39.76	5.5

Customer _____ Address _____ G. O. _____

P.O. Number _____ Item _____ Approval

Apparatus _____ Reference

Line No. _____ Certified _____ Date _____ Construction

Westinghouse Electric Corporation
Switchgear Division, Power Switching Equipment, East Pittsburgh, Pa. 15112
Printed in USA

October, 1970
New Information
E, D/1969/DB

Other

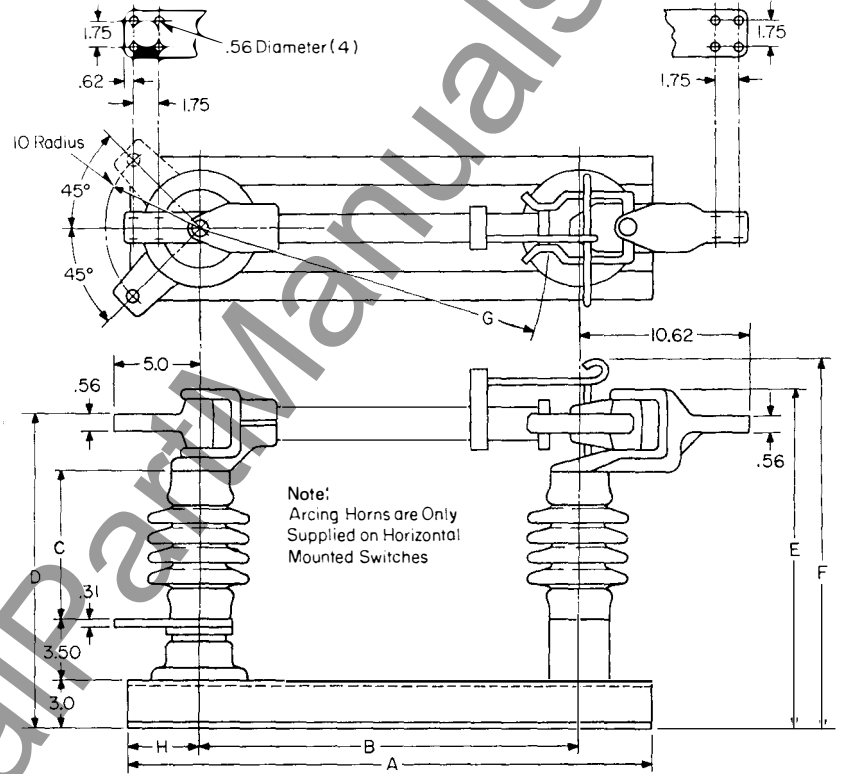
Westinghouse



**Type RL-2 Outdoor
Disconnecting Switches**

7.2 Kv to 69 Kv
600 and 1200 Amperes

Horizontal and Vertical Mounting, Station Post Insulators



Line No.	Kv	Amps	BIL Kv	Dimensions in Inches							
				A	B	C	D	E	F	G	H
1	7.2	600	95	26.0	16.0	7.5	17.81	20.5	23.88	14.25	5.0
2	14.4	600	110	26.0	16.0	10.0	20.31	23.0	26.38	14.25	5.0
3	23.0	600	150	35.0	24.0	14.0	24.31	27.0	30.38	22.25	5.5
4	34.5	600	200	35.0	24.0	18.0	28.31	31.0	34.38	22.25	5.5
5	46.0	600	250	41.0	30.0	22.0	32.31	35.0	38.38	28.25	5.5
6	69.0	600	350	53.0	42.0	30.0	40.31	43.0	46.38	40.25	5.5
7	7.2	1200	95	26.0	16.0	7.5	17.81	20.5	23.88	13.76	5.0
8	14.4	1200	110	26.0	16.0	10.0	20.31	23.0	26.38	13.76	5.0
9	23.0	1200	150	35.0	24.0	14.0	24.31	27.0	30.38	21.76	5.5
10	34.5	1200	200	35.0	24.0	18.0	28.31	31.0	34.38	21.76	5.5
11	46.0	1200	250	41.0	30.0	22.0	32.31	35.0	38.38	27.76	5.5
12	69.0	1200	350	53.0	42.0	30.0	40.31	43.0	46.38	39.76	5.5

Customer _____ Address _____ G. O. _____

P.O. Number _____ Item _____ Approval

Apparatus _____ Reference

Line No. _____ Certified _____ Date _____ Construction

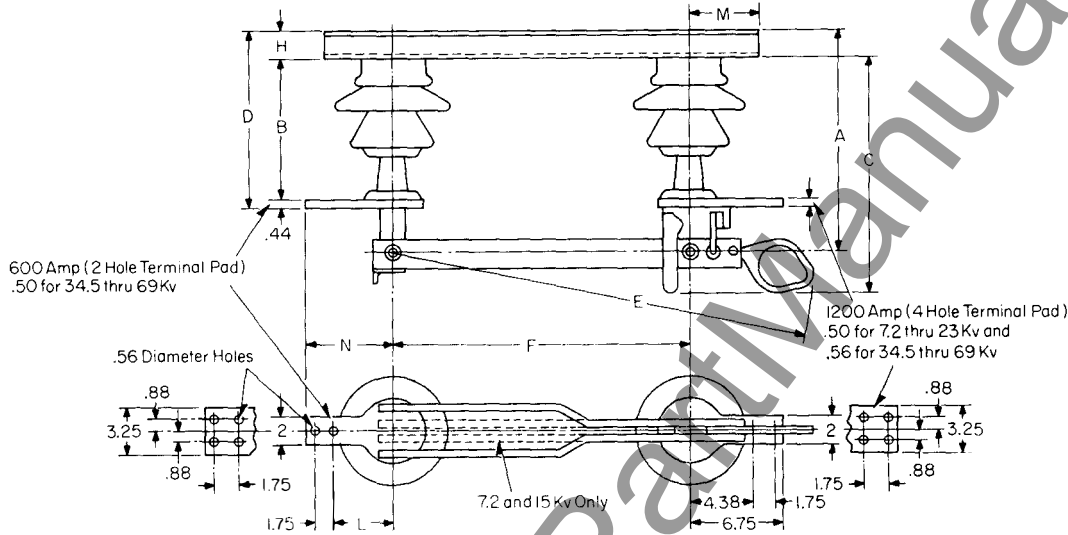
Other

Westinghouse



Outdoor Disconnect Switches

Type LCO Hookstick operated disconnect switch, inverted mounting, single pole, single throw (SPST) 7.2 to 69.0 Kv, 600 and 1200 amperes



Line No.	Type of Insulator	KV	BIL	Amps	TR No.	Switch Style Number	Dimensions in Inches									
							A	B	C	D	E	F	H	L	M	N
1		7.2	95	600	1	146D017G26	12.88	7.5	13.25	10.19	21.50	15.0	2.25	3.75	4.50	6.12
2	Cap	14.4	110	600	4	146D017G30	15.38	10.0	15.75	12.69	21.50	15.0	2.25	3.75	4.50	6.12
3	and	23.0	150	600	7	146D017G34	17.38	12.0	17.75	14.69	30.50	24.0	2.25	3.75	4.50	6.12
4	Pin	34.5	200	600	10	146D017G38	20.38	15.0	20.75	17.75	30.50	24.0	2.25	3.75	4.50	6.12
5	(Gray)	46.0	250	600	13	146D017G42	24.12	18.0	23.75	21.50	36.50	30.0	3.00	3.75	5.50	6.12
6		69.0	350	600	16	146D017G46	35.12	29.0	34.75	32.50	48.50	42.0	3.00	3.75	5.50	6.12
7		7.2	95	1200	1	146D017G27	13.12	7.5	13.25	10.25	21.88	15.0	2.25	4.12	4.50	6.50
8	Cap	14.4	110	1200	4	146D017G31	15.62	10.0	15.75	12.69	21.88	15.0	2.25	4.12	4.50	6.50
9	and	23.0	150	1200	7	146D017G35	17.62	12.0	17.75	14.69	30.88	24.0	2.25	3.62	4.50	6.12
10	Pin	34.5	200	1200	10	146D017G39	20.62	15.0	20.75	17.75	30.88	24.0	2.25	3.62	4.50	6.12
11	(Gray)	46.0	250	1200	13	146D017G43	24.38	18.0	23.75	21.50	36.88	30.0	3.00	3.62	5.50	6.12
12		69.0	350	1200	16	146D017G47	35.38	29.0	34.75	32.50	48.88	42.0	3.00	3.62	5.50	6.12

Note: For base dimensions, see TCS 36-171 page 19.

Customer _____ Address _____ G. O. _____

P.O. Number _____ Item _____ Approval

Apparatus _____ Reference

Line No. _____ Certified _____ Date _____ Construction

Other

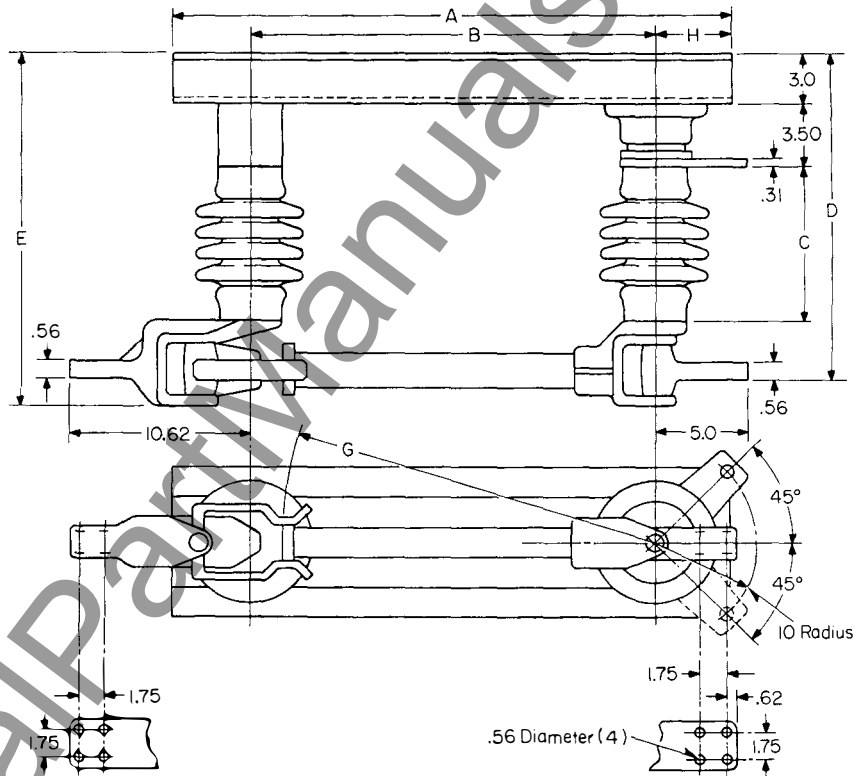
Westinghouse



**Type RL-2 Outdoor
Disconnecting Switches**

7.2 Kv to 69.0 Kv
600 and 1200 Amperes

Inverted Mounting, Station Post Insulators



Line No.	Kv	Amps	BIL Kv	TR No.	Dimensions in Inches						
					A	B	C	D	E	G	H
1	7.2	600	95	202	26.0	16.0	7.5	17.81	20.5	14.25	5.0
2	14.4	600	110	205	26.0	16.0	10.0	20.31	23.0	14.25	5.0
3	23.0	600	150	208	35.0	24.0	14.0	24.31	27.0	22.25	5.5
4	34.5	600	200	210	35.0	24.0	18.0	28.31	31.0	22.25	5.5
5	46.0	600	250	214	41.0	30.0	22.0	32.31	35.0	28.25	5.5
6	69.0	600	350	216	53.0	42.0	30.0	40.31	43.0	40.25	5.5
7	7.2	1200	95	202	26.0	16.0	7.5	17.81	20.5	13.76	5.0
8	14.4	1200	110	205	26.0	16.0	10.0	20.31	23.0	13.76	5.0
9	23.0	1200	150	208	35.0	24.0	14.0	24.31	27.0	21.76	5.5
10	34.5	1200	200	210	35.0	24.0	18.0	28.31	31.0	21.76	5.5
11	46.0	1200	250	214	41.0	30.0	22.0	32.31	35.0	27.76	5.5
12	69.0	1200	350	216	53.0	42.0	30.0	40.31	43.0	39.76	5.5

Customer _____ Address _____ G. O. _____

P.O. Number _____ Item _____ Approval

Apparatus _____ Reference

Line No. _____ Certified _____ Date _____ Construction

Westinghouse Electric Corporation
Switchgear Division, Power Switching Equipment, East Pittsburgh, Pa. 15112
Printed in USA

October, 1970
New Information
E, D/1971/DB

Other

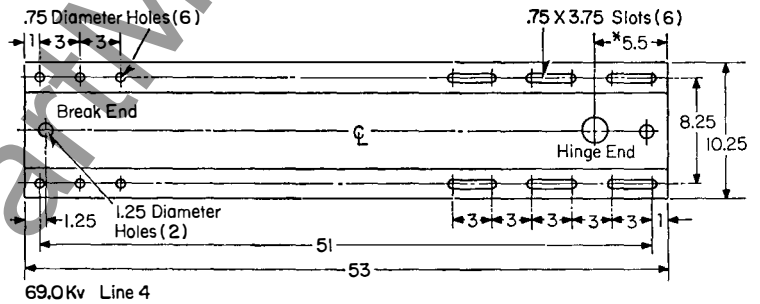
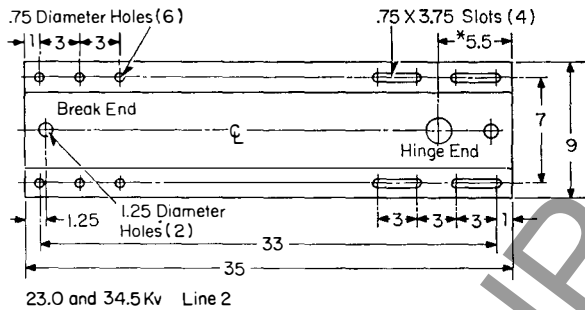
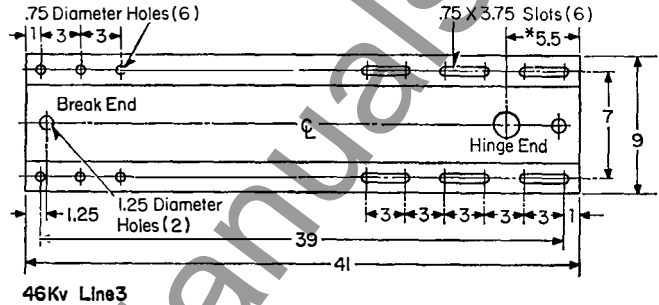
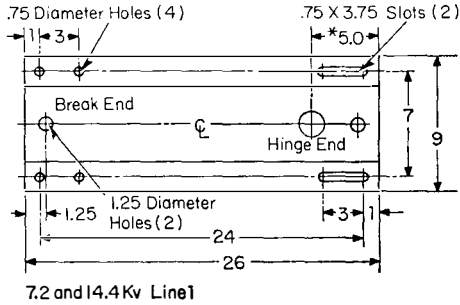
Westinghouse



Type RL-2 Outdoor Disconnecting Switches

7.2 Kv to 69.0 Kv
600 and 1200 Amperes

Standard Switch Base Mounting Dimensions, Inches



Note: Clear access to the bottom of the rotating insulator bearing of the driven pole unit must be provided when mounting switch for direct mechanism operation.

* Dimension for locating rotating insulator on base drawing. Also see note above.

Customer _____ Address _____ G. O. _____

P.O. Number _____ Item _____ Approval

Apparatus _____ Reference

Line No. _____ Certified _____ Date _____ Construction

Westinghouse Electric Corporation
Switchgear Division, Power Switching Equipment, East Pittsburgh, Pa. 15112
Printed in USA

October, 1970
New Information
E, D/1971/DB

Other

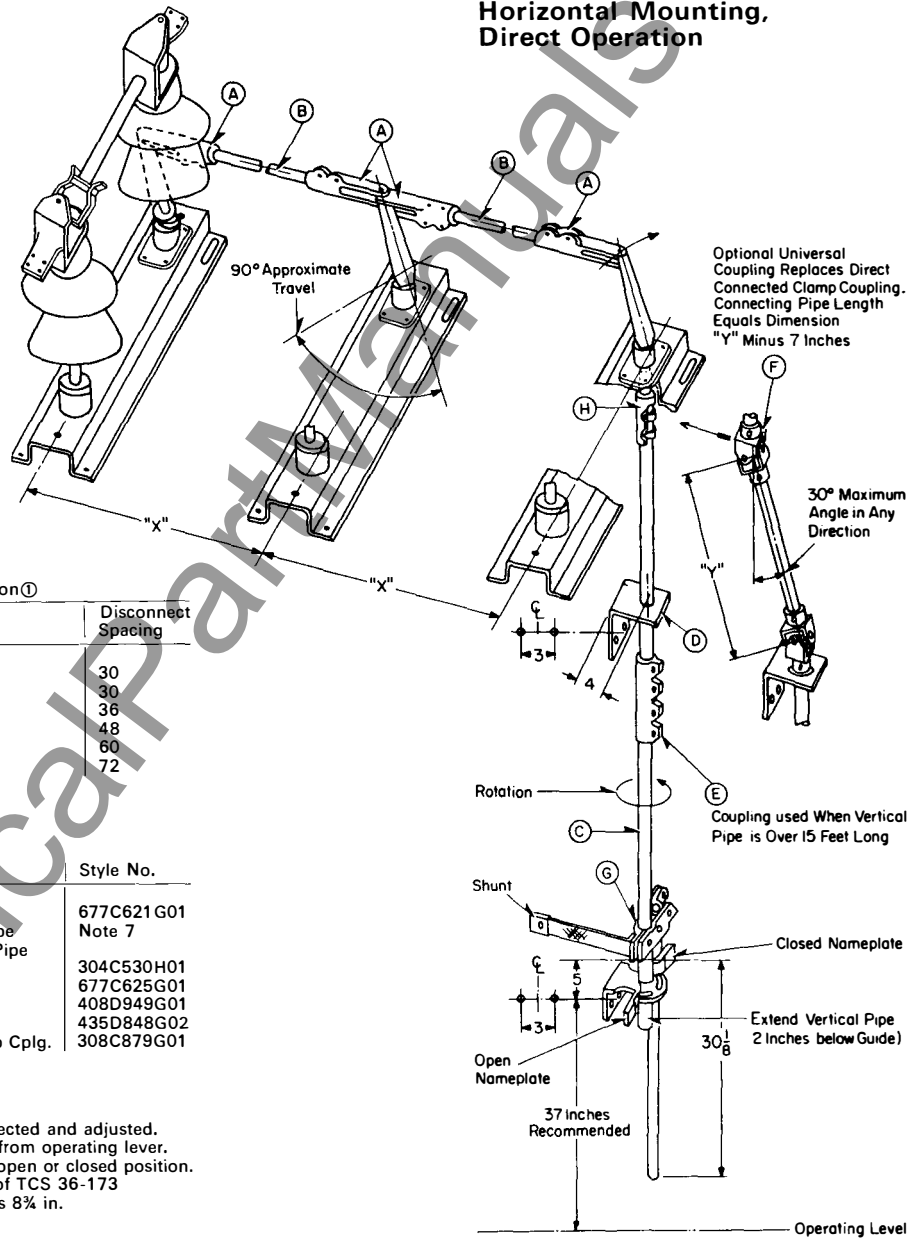
Westinghouse



Type RL-2 Outdoor Disconnecting Switches

7.2 Kv to 69 Kv
600 and 1200 Amperes

Horizontal Mounting, Direct Operation



Kv	Amps	"X" Dimension ^①	
		Horn Gap Spacing	Disconnect Spacing
7.2	600/1200	36	30
14.4		36	30
23.0		48	36
34.5		60	48
46.0		72	60
69.0		84	72

① Recommended Per NEMA Standards (Inches).

Bill of Material

Item	Quantity	Description	Style No.
A	4	Rod Ends 1 in. I.P.S.	677C621G01
B	15 Ft.	1 in. I.P.S. Galv. Stl. Pipe	Note 7
C	30 Ft.	1 1/2 in. I.P.S. Galv. Stl. Pipe	
D	1	Guide Bracket	304C530H01
E	1	Pipe Coupling	677C625G01
F	1 Set (Opt.)	Universal Joints	408D949G01
G	1	Lever Handle Assy.	435D848G02
H	1	Direct Connected Clamp Cplg.	308C879G01

Notes:

- 1 - All mounting holes for 3/8 in. bolts.
- 2 - Do not tighten set screws until 3 pole switch is erected and adjusted.
- 3 - Attach rod ends "A" with set screws facing away from operating lever.
- 4 - Operating handle has provisions for padlocking in open or closed position.
- 5 - Base mounting dimensions are shown on Page 5 of TCS 36-173
- 6 - Interphase pipe length equals dimension "X" minus 8 3/4 in.
- 7 - Item "C" consists of two 15 foot lengths of pipe.

Customer _____ Address _____ G.O. _____

P.O. Number _____ Item _____ Approval

Apparatus _____ Construction

Line No. _____ Certified _____ Date _____ Other

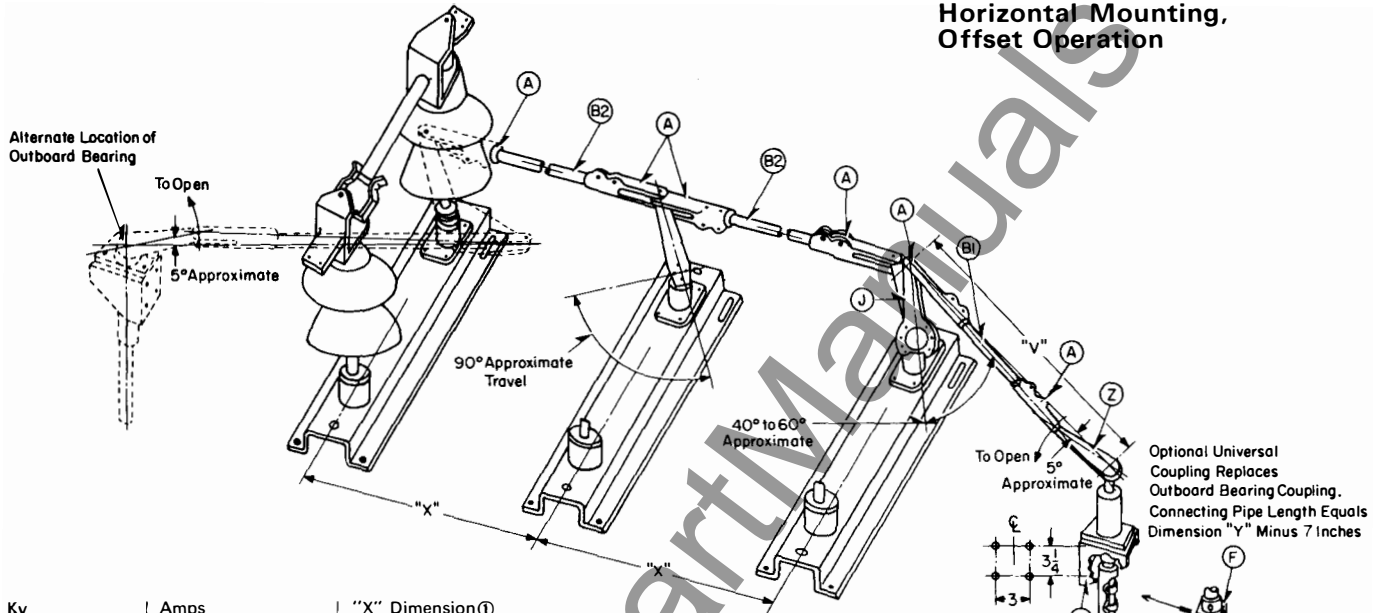
Westinghouse



Type RL-2 Outdoor Disconnecting Switches

7.2 Kv to 69 Kv
600 and 1200 Amperes

Horizontal Mounting, Offset Operation



Kv	Amps	"X" Dimension ①	
		Horn Gap Spacing	Disconnect Spacing
7.2	600/1200	36	30
14.4		36	30
23.0		48	36
34.5		60	48
46.0		72	60
69.0		84	72

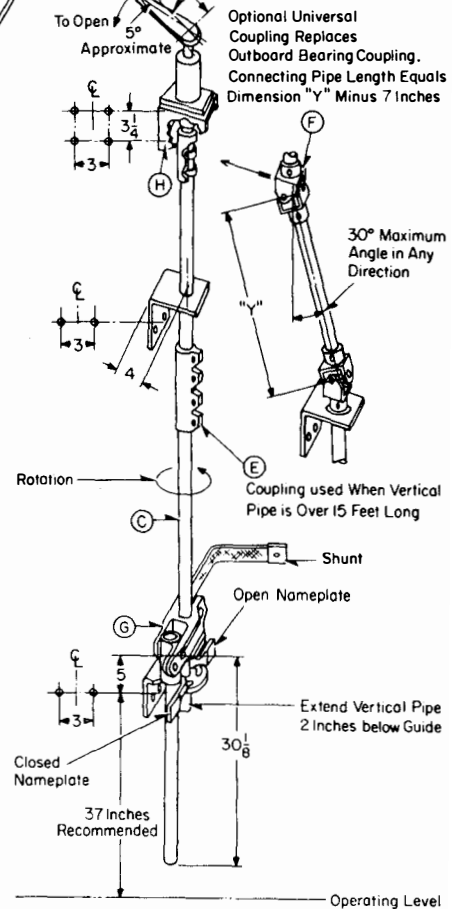
① Recommended Per NEMA Standards (Inches)

Bill of Material

Item	Quantity	Description	Style Number
A	6	Rod Ends 1 in. I.P.S.	677C621G01
B	25 Ft.	1 in. I.P.S. Galv. Stl. Pipe	Note 8
C	30 Ft.	1½ in. I.P.S. Galv. Stl. Pipe	Note 9
D	1	Guide Bracket	304C530H01
E	1	Pipe Coupling	677C625G01
F	1 Set (Opt.)	Universal Joints	408D949G01
G	1	Lever Handle Assem.	435D848G02
H	1	Outboard Bearing	146D010G02
J	1	Universal Lever	S1534743

Notes:

- All mounting holes for ¾ in. bolts
- Do not tighten set screws until 3-pole switch is erected and adjusted.
- Attach rod ends "A" with set screws facing away from operating lever.
- Operating handle has provision for padlock in open or closed position.
- Base mounting dimensions are shown on Page 5 of TCS 36-173.
- Interphase pipe length equals dimension "X" minus 8¼ in.
- With switch closed, the outboard bearing lever "Z" should be set approx. 5° before the toggle position. The operating pipe length equals "V" dimension minus 18¼ in.
- Item "B" will consist of 1-10 ft. length of 1" I.P.S. steel pipe used for the outboard bearing pipe "B1" and 1-15 ft. length of 1" I.P.S. steel pipe used for the interphase pipe "B2".
- Item "C" will consist of two 15 foot lengths of pipe.



Customer _____ Address _____ G.O. _____

P.O. Number _____ Item _____ Approval

Apparatus _____ Reference

Line No. _____ Certified _____ Date _____ Construction

Westinghouse Electric Corporation

Switchgear Division, Power Switching Equipment, East Pittsburgh, Pa. 15112
Printed in USA

April, 1971
New Information
E, D/1969/DB

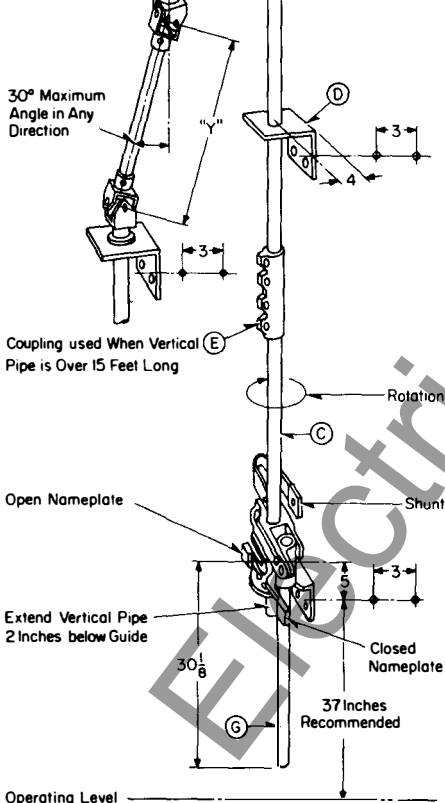
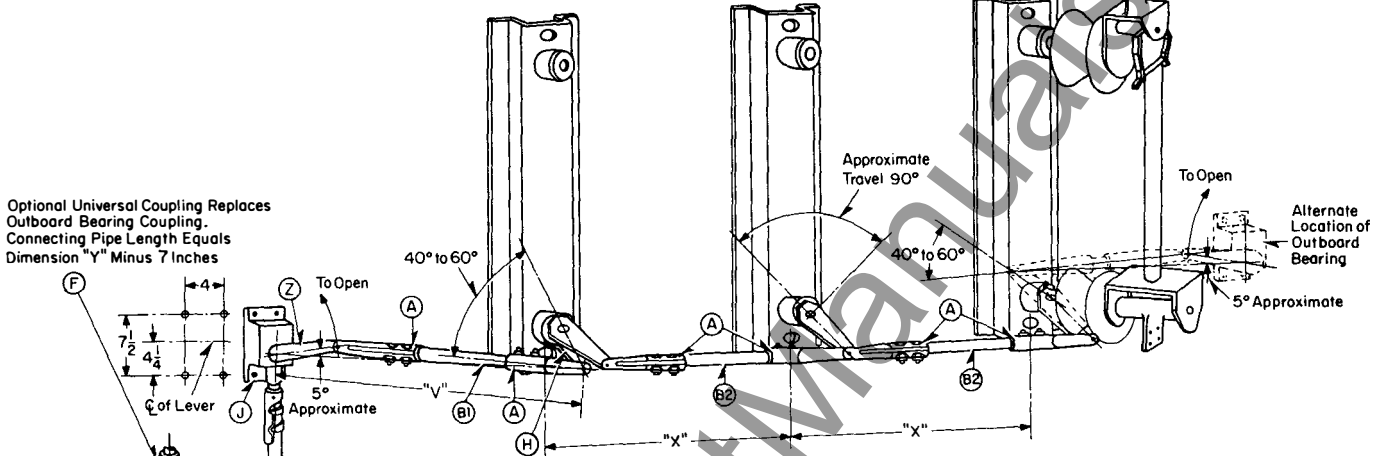
Westinghouse



Type RL-2 Outdoor Disconnecting Switches

7.2 Kv to 69 Kv
600 and 1200 Amperes

Vertical Mounting, Offset Operation



Kv	Amps	"X" Dimension (1)	
		Horn Gap Spacing	Disconnect Spacing
7.2	600	36	30
14.4		36	30
23.0		48	36
34.5		60	48
46.0		72	60
69.0		84	72

(1) Recommended Per NEMA Standards (Inches)

Bill of Material

Item	Quantity	Description	Style No.
A	6	Rod Ends 1 in. I.P.S.	677C621G01
B	25 Ft.	1 in. I.P.S. Galv. Stl. Pipe	Note 8
C	30 Ft.	1 1/2 in. I.P.S. Galv. Stl. Pipe	Note 9
D	1	Guide Bracket	304C530H01
E	1	Pipe Coupling	677C625G01
F	1 Set (Opt.)	Universal Joints	408D949G01
G	1	Lever Handle Assy.	435D848G02
H	1	Universal Lever	S-1534743
J	1	90° Outboard Brg.	421D945G01

- Notes:**
- 1 - All mounting holes for 3/8 in. bolts.
 - 2 - Do not tighten set screws until 3 pole switch is erected and adjusted.
 - 3 - Attach rod ends "A" with set screws facing away from operating lever.
 - 4 - Operating handle has provisions for padlocking in open or closed position.
 - 5 - Base mounting dimensions are shown on Page 5 of TCS 36-173.
 - 6 - Interphase pipe length equals dimension "X" minus 8 1/2 in.
 - 7 - With switch closed, the outboard bearing lever "Z" should be set approx. 5° before the toggle position. The operating pipe lengths equal "V" dimension minus 18 3/4 in.
 - 8 - Item "B" will consist of 1-10 ft. length of 1" I.P.S. steel pipe used for the outboard bearing pipe "B1" and 1-15 ft. length of 1" I.P.S. steel pipe used for the interphase pipe "B2."
 - 9 - Item "C" will consist of two 15 foot lengths of pipe.

Customer _____ Address _____ G.O. _____

P.O. Number _____ Item _____ Approval

Apparatus _____ Reference

Line No. _____ Certified _____ Date _____ Construction

Other