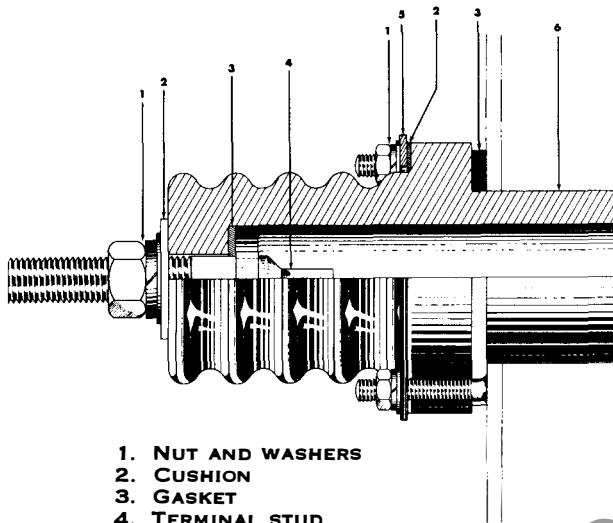




SIDEWALL BUSHINGS



- 1. NUT AND WASHERS
- 2. CUSHION
- 3. GASKET
- 4. TERMINAL STUD
- 5. CLAMP
- 6. PORCELAIN

Fig. 1. Detachable-cable type bushing

GENERAL

Porcelain is used as the major insulation in sidewall bushings and upon receipt, an inspection should be made for chips and cracks. If there is evidence of damage or rough handling, file a claim with the transportation company promptly and notify the nearest Apparatus Sales Office of the General Electric Company. If it becomes necessary to replace a porcelain, the change can be made externally after the liquid level has been lowered below the bushing.

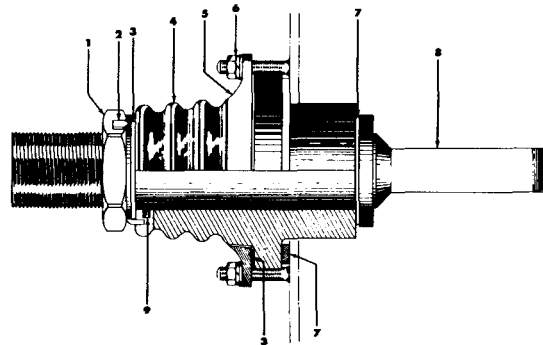
DETACHABLE-CABLE TYPE

To remove the porcelain on a detachable-cable bushing as shown in Fig. 1, remove nuts and washers (1), cushion (2) and clamp (5). The porcelain (6)

can then be removed and stud (4) will remain attached to the transformer leads from inside the tank. When installing a new porcelain, use new cushions (2) and gaskets (3).

STUD TYPE

To replace the porcelain on a stud type bushing as shown in Fig. 2, bend locking collar (2) back and remove it along with nut (1) and the adjacent cushion (3). Pull out pin (9) by inserting a hooked wire in the end and then remove nut and washers (6) and clamp (5). Porcelain (4) can then be removed, leaving stud (8) attached to the winding leads. Replace cushions (3) and gaskets (7) when installing a new porcelain.



- 1. HEX-HEAD NUT
- 2. LOCKING COLLAR
- 3. CUSHION
- 4. PORCELAIN
- 5. CLAMP
- 6. NUT AND WASHERS
- 7. GASKET
- 8. TERMINAL STUD
- 9. PIN

Fig. 2. Stud type bushing

These instructions do not purport to cover all details or variations in equipment nor to provide for every possible contingency to be met in connection with installation, operation or maintenance. Should further information be desired or should particular problems arise which are not covered sufficiently for the purchaser's purposes, the matter should be referred to the General Electric Company.

MEDIUM TRANSFORMER PRODUCTS DEPARTMENT



ROME, GEORGIA