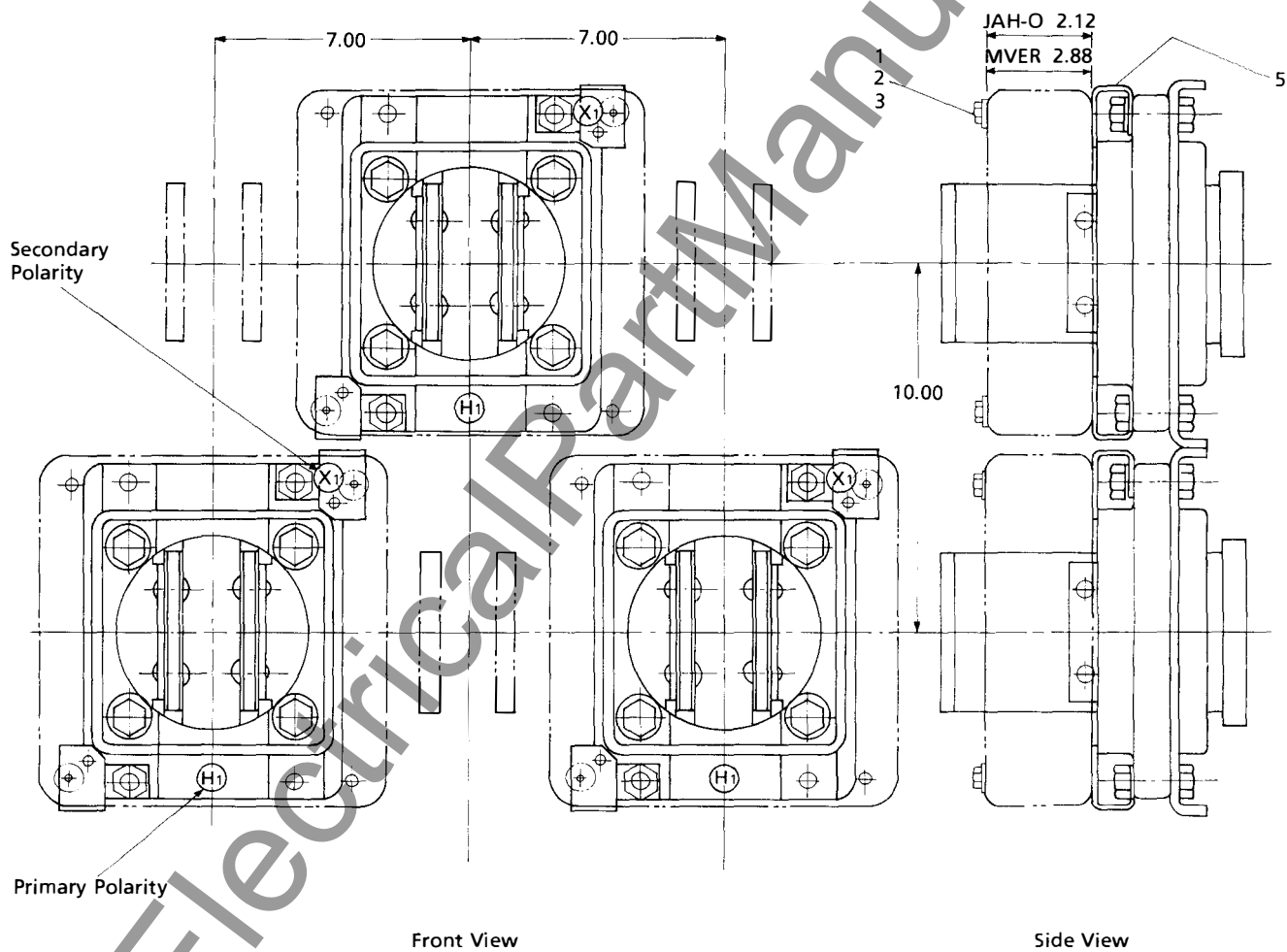




MOUNTING OF CURRENT TRANSFORMERS—TYPE JAS-O and MVER

For AKR Substructures

Numbers on Drawing Correspond to Numbers on Enclosed Parts List



These instructions do not purport to cover all details or variations in equipment nor to provide for every possible contingency to be met in connection with installation, operation or maintenance. Should further information be desired or should particular problems arise which are not covered sufficiently for the purchaser's purposes, the matter should be referred to the General Electric Company.

www.ElectricalPartManuals.com