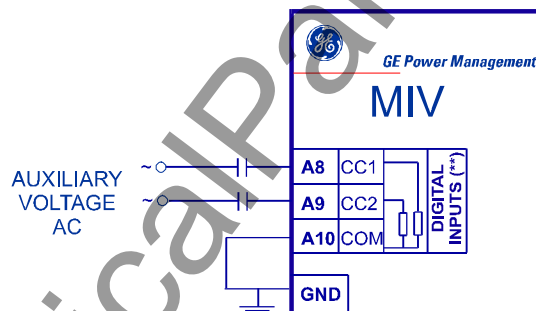

MIV

DIGITAL VOLTAGE/FREQUENCY PROTECTION

NOTE ON DIGITAL INPUTS CONNECTION

In case of using AC voltage, it must be ensured that there is no appreciable voltage (less than 10 Vac) between the input common terminal, A10, and the ground terminal. The AC system must be line/neutral type, and not line/line, ensuring that the neutral and ground do not differ in more than 10 Vac. The reason for this is that there might be enough current circulating through the EMC filtering capacitors on these inputs to cause undesired activation.

If it is not possible to ensure the previous conditions, the connection shown below can be used, where lines are wired only to inputs (A8 and A9), and the common (A10) is connected to the unit ground terminal.



NOTE ON THE INSULATION TEST

In case of using AC voltage for the activation of digital inputs, and having connected the inputs common (A10) with the ground terminal, it is necessary to remove this connection before testing insulation on group 3.



www.ElectricalPartManuals.com