



MOUNTING OF CURRENT TRANSFORMERS – TYPE JAS-O AKR SUBSTRUCTURES

NUMBERS ON DRAWINGS CORRESPOND TO NUMBERS ON ENCLOSED PARTS LIST

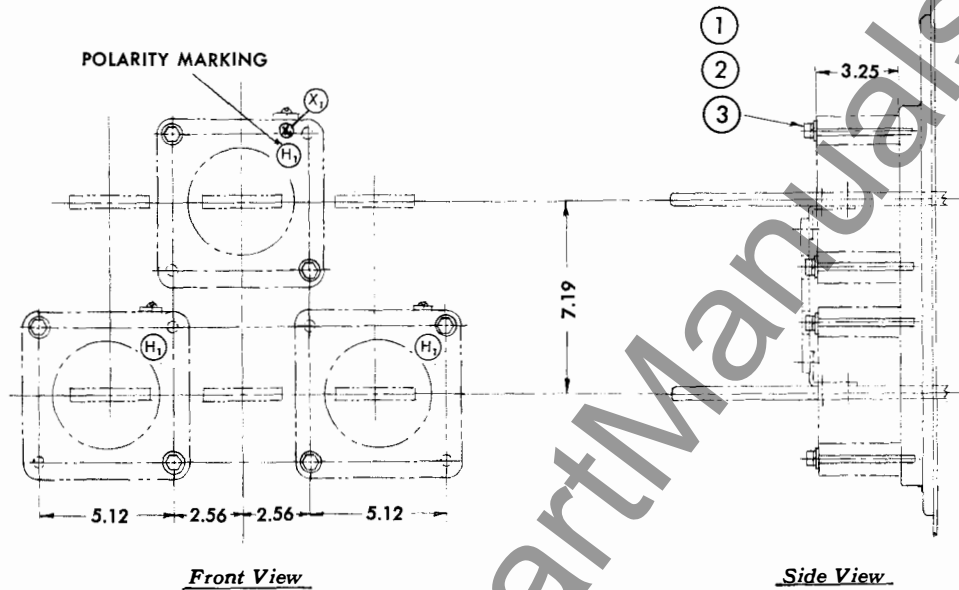


Fig. 1 – Unfused Units

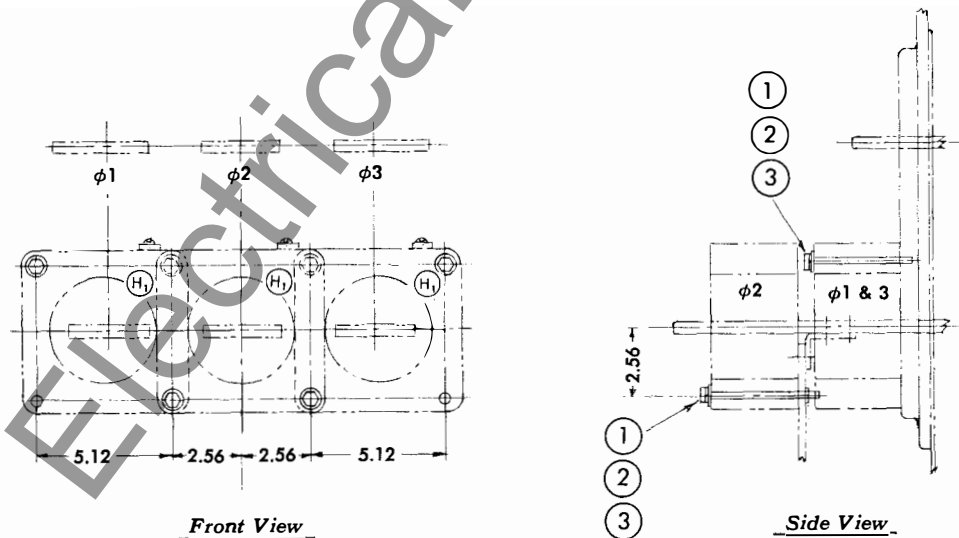


Fig. 2 – Fused Units

These instructions do not purport to cover all details or variations in equipment nor to provide for every possible contingency to be met in connection with installation, operation or maintenance. Should further information be desired or should particular problems arise which are not covered sufficiently for the purchaser's purposes, the matter should be referred to the General Electric Company.

CIRCUIT PROTECTIVE DEVICES DEPT., PLAINVILLE, CONN. 06062

www.ElectricalPartManuals.com