

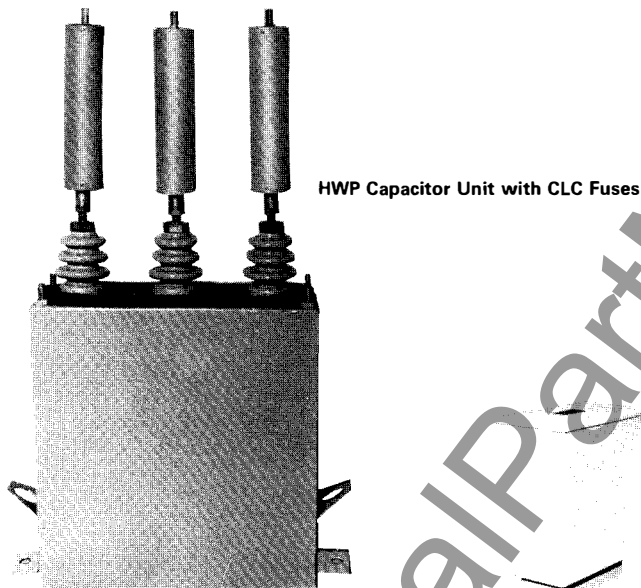


March, 1987
Supersedes Descriptive Bulletin 39-214,
pages 1-2, dated July, 1985
Mailed to: E, D, C/39-000A, 39-000B

25-400 KVAR
2400 & 4160 Volts
3 Phase, 60 Hz
Indoor/Outdoor

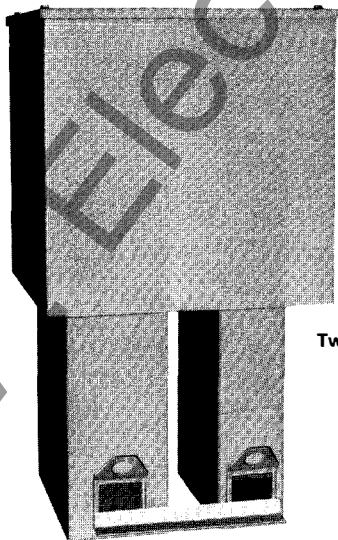
Type HWP Industrial Power Capacitors

WEMCOL Dielectric Fluid



HWP Capacitor Unit with CLC Fuses

Single Unit HWP Equipment



Two-Unit HWP Equipment

Description

The Westinghouse Type HWP industrial power factor correction capacitor equipments are three phase, 60 Hz., 2400 and 4160 volt ratings, 25 through 400 KVAR assemblies, dustproof and weatherproof. The HWP equivalents (style series 6002C14) consist of one or more HWP capacitor units (style series 1N03300), CLC bushing-mounted fuses (3 per capacitor), a bushing enclosure, and cover.

Standards

Type HWP capacitors meet or exceed all applicable requirements of NEMA and ANSI/IEEE for high voltage power capacitors.

Specifications

Capacitor units — consists of individually-wound sections of low-loss polypropylene film and aluminum foil; dielectric fluid is Westinghouse WEMCOL non-PCB and is completely bio-degradable and does not bio-accumulate. WEMCOL is an OSHA Class IIIB combustible fluid (For further information on WEMCOL, refer to TD 39-212). Each HWP three phase capacitor unit is provided with internal discharge resistors connected between the terminals to reduce the residual voltage to 50 volts or less within five minutes of deenergization. The capacitor case is ANSI 70 light gray painted 409 stainless steel with all joints welded. The HWP capacitor unit is used in HWP complete assemblies for indoor and outdoor applications in ambient temperature range of -40C to +46C. Each HWP three phase capacitor has 3 ANSI 70 light gray porcelain bushings, gland-sealed to the capacitor cover.

Fuses — Each three phase capacitor equipment is provided with CLC current limiting fuses, 3 per capacitor. CLC fuses are full range current-limiting with an interrupting rating of 35,000 amps at 2400 volts and 60,000 amps at 4160 volts. CLC fuses have a 1/2 inch x 13 threaded stud for customer connection.

Enclosure — Three phase HWP capacitor equipments are provided with an ANSI 70 light gray painted steel termination box and gasketed bolt-on cover.

Testing — Westinghouse HWP capacitors meet or exceed all applicable NEMA CP-1 and ANSI/IEEE-18 design and production test requirements for high voltage capacitors.



Type HWP Industrial Power Factor Correction Capacitors

HWP 3 Phase, 60 Hz., Capacitor Units and Equipments Selector Guide and Dimensions

Assembled Equipment Styles*	KVAR	No. & KVAR of Units	Dimensions (Fig. 1) (Inches)			Net. Wt. (Lbs.)
			A	B	C/C1	
6002C14A01/A27	25	1-25	8.875	26.00	9.125	65
6002C14A03/A29	50	1-50	8.875	26.00	9.125	65
6002C14A05/A31	75	1-75	14.375	31.50	9.125	84
6002C14A07/A33	100	1-100	14.375	31.50	9.125	84
6002C14A09/A35	125	1-125	14.375	31.50	9.125	92
6002C14A11/A37	150	1-150	14.375	31.50	9.125	101
6002C14A13/A39	175	1-175	22.375	39.50	9.125	106
6002C14A15/A41	200	1-200	22.375	39.50	9.125	112
6002C14A17/A43	225	1-25, 1-200	13.625	31.50	17.125	140
6002C14A19/A45	250	1-50, 1-200	13.625	31.50	17.125	154
6002C14A21/A47	300	2-150	13.625	31.50	17.125	169
6002C14A23/A49	350	1-150, 1-200	22.125	39.50	17.125	179
6002C14A25/A51	400	2-200	22.125	39.50	17.125	189

Capacitor Unit Styles*	KVAR	Dimensions (Fig. 2) (Inches)			Nt. Wt. (Lbs.)
		A	B	C	
1N03300A01/A11	25	9.250	2.250	4.125	32
1N03300A02/A12	50	9.250	2.250	4.125	32
1N03300A03/A13	75	14.750	0.250	4.125	51
1N03300A04/A14	100	14.750	0.250	4.125	51
1N03300A05/A15	125	14.750	0.250	5.125	59
1N03300A06/A16	150	14.750	0.250	6.000	68
1N03300A07/A17	175	22.750	9.000	4.125	73
1N03300A08/A18	200	22.750	9.000	4.500	78

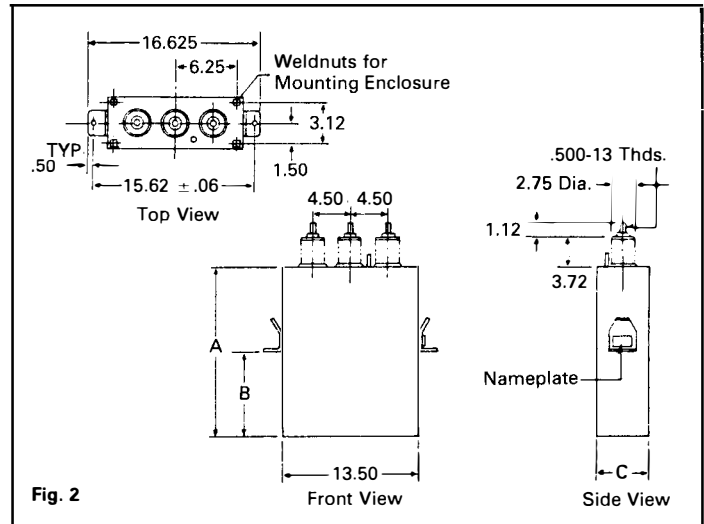
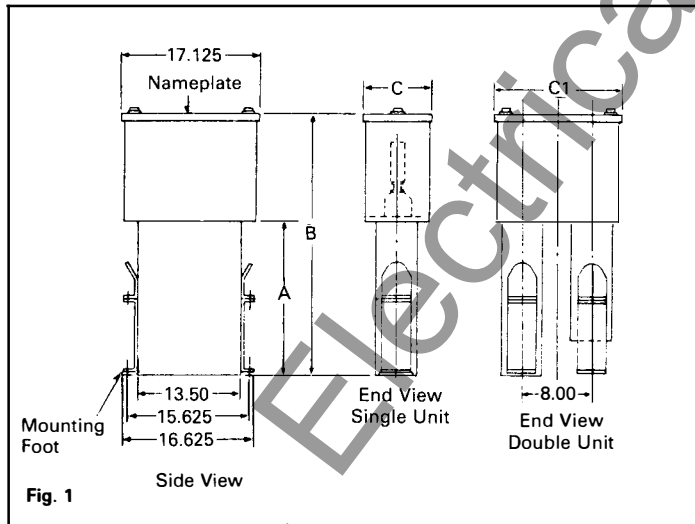
* Style numbers indicated for 2400/4160 volt ratings. e.g., 6002C14A01 is 25 KVAR, 2400 volt; 6002C14A27 is 25 KVAR, 4160 volt, etc.

Replacement CLC Fuses for HWP Capacitors

KVAR	2400 Volt Fuse Style	4160 Volt Fuse Style
25	4989C13A01	4989C13A06
50	4989C13A01	4989C13A06
75	4989C13A02	4989C13A06
100	4989C13A02	4989C13A06
125	4989C13A02	4989C13A07
150	4989C13A03	4989C13A07
175	4989C13A03	4989C13A07
200	4989C13A03	4989C13A07

- HWP capacitor equipments (6002C14) are supplied with 3 fuses per capacitor.
- For CLC fuse prices, refer to Price List PL 39-230.

For further information, refer to PL 39-210.



Westinghouse Electric Corporation
T&D Components Division
Bloomington, Indiana 47401