

Westinghouse



In-Line Tap Changer

For Three Phase Pad Mounted
Distribution Transformers



Application

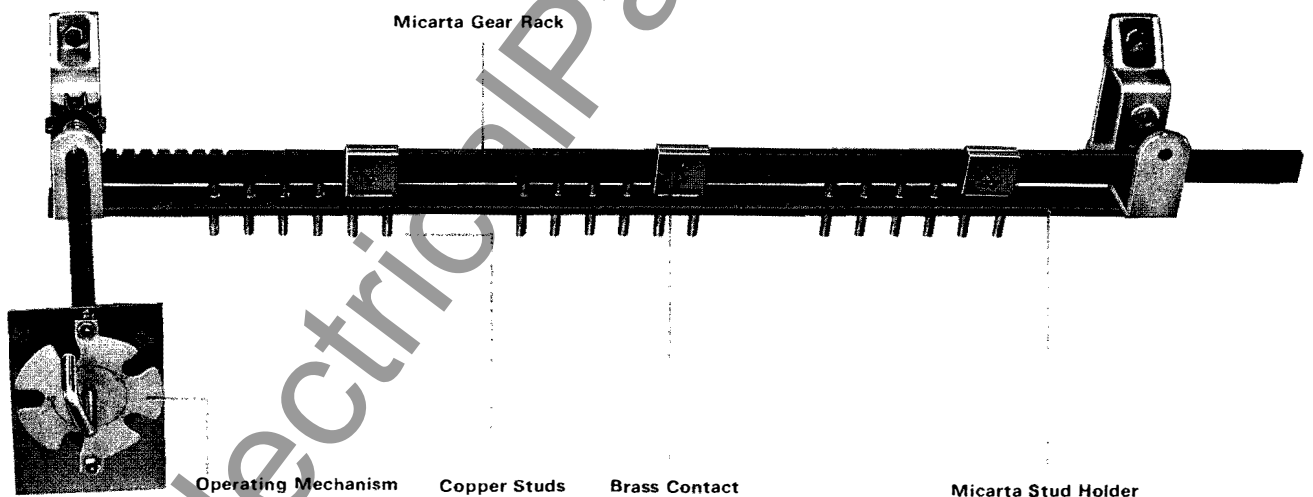
Westinghouse offers an externally operable in-line tap changer to meet the needs of Three Phase Pad Mounted Distribution Transformers. The tap changer operates under oil. The maximum size transformer in which this tap changer can be used is 500 Kva.

Advantages

- Rigid or Flexible Shaft Design
- Five Positions
- Positive stops at 1 and 5 position
- Detent action on each position
- Contact wiping action
- Stainless Steel and Brass external hardware

Electrical Characteristics

125 KV BIL
18 KV class
90 Amperes continuous current



Construction Features

The body of the tap changer is made of special low power factor Micarta® and uses copper studs with brass contacts. The contacts have a wiping action to insure a clean and positive connection at every position. The design works on a rack and spur gear principle.

The tap changer is available in a rigid or flexible shaft design, making it adaptable to

any three phase transformer tank with a maximum rating of 500 Kva. It is bolt mounted to the tank wall.

The external hardware is made of stainless steel and brass. The stainless steel position indicator plate is large and easy to read and the handle is hookstick operated.

Lead connections can be made through crimp or welded copper studs.

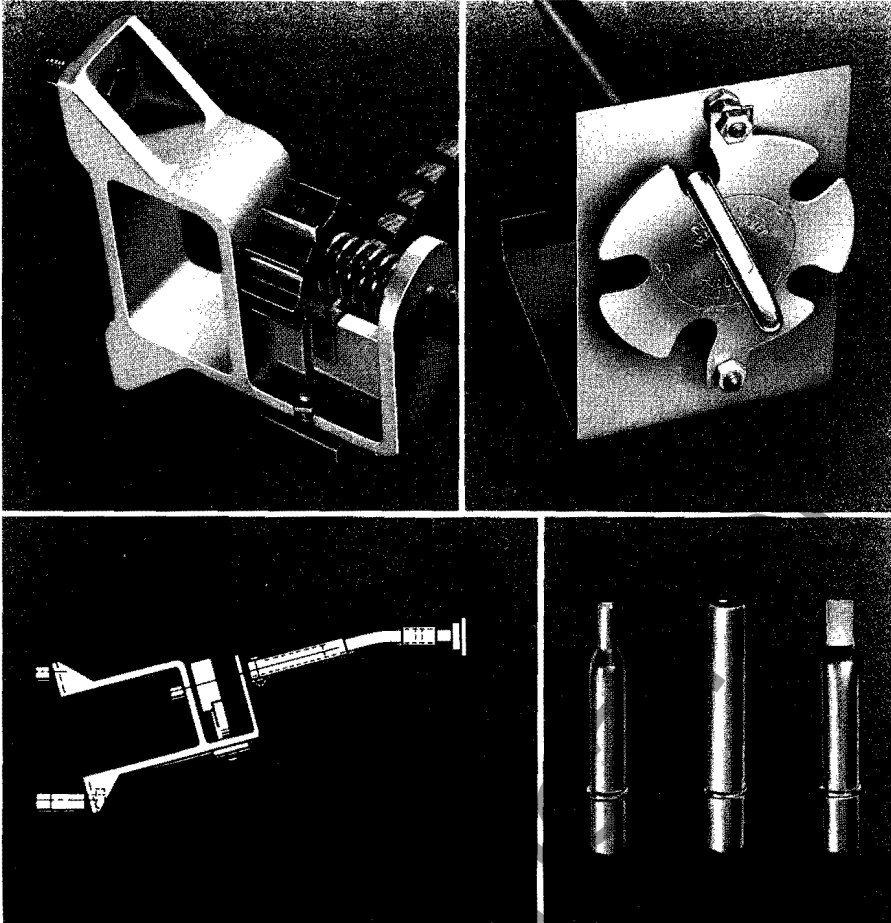
Further Information

For pricing information, refer to: Component and Special Product Sales, Westinghouse Electric Corp., Sharon, Pa.

In-Line Tap Changer

For Three Phase Pad Mounted
Distribution Transformers

Construction Features Detail



Ordering Information

The tap changer assembly, the operating mechanism, and the flexible shaft assembly, if desired, must be ordered separately from the following style numbers:

Description	Style Number	Studs
Tap changer assembly	4306D71G01	Crimp .125 ID
Tap changer assembly	4306D71G04	Crimp .250 ID
Tap changer assembly	4306D71G05	Weld
Operating mechanism less internal shaft	4306D71G07	
Flexible shaft assembly less operating mechanism	887A171G02	

Dimensions in Inches

