



March, 1977
Supersedes 43-400 A WE A,
pages 19 & 20, dated May, 1974
E, D, C/2038/DB

Part III
Outline Dimensions, Drilling
Plans, Wiring Diagrams

Recording Instruments Index To Wiring Diagrams

②	Recorder	Function	AD 43-400	
			Fig. No.	Dwg. No.
PF44	Wattmeter, Universal	(1-ph, 2-w, CT, PT)	92	3497A76
PF44	Wattmeter, Universal	(1-ph, 2-w, Self-cont.)	93	3497A79
PF44	Wattmeter, Universal	(1-ph, 3-w, CT)	94	3497A77
PF44	Wattmeter, Universal	(3-ph, 3-w, CT, PT)	95	3497A80
PF44	Wattmeter, Universal	(3-ph, 4-w, CT, PT)	96	3497A82
PF44	Varmeter, Universal	(3-ph, 3-w, CT, PT, phase shifter)	97	3503A81
PF44	Varmeter, Universal	(3-ph, 4-w, CT, PT, phase shifter)	98	3503A82
PF44	Watt/Varmeter, Universal, auto-switch	(3-ph, 3-w)	99	3495A80
PF44	Watt/Varmeter, Universal, auto-switch	(3-ph, 4-w)	100	3495A81
M45	AC Voltmeter, switchboard	(PT)	112	188A267
M45	AC Voltmeter, switchboard	(Self-cont.)	113	188A267①
M45	AC Ammeter, switchboard	(CT)	114	186A047
M45	AC Ammeter, switchboard	(Self-cont.)	115	186A047①
M45	AC Voltmeter, portable	(PT)	121	186A046
M45	AC Voltmeter, portable	(Self-cont.)	122	186A046①
M45	AC Voltmeter, portable	(450-700V, self-cont.)	123	188A267
M45	AC Ammeter, portable	(CT)	124	186A047
M45	AC Ammeter, portable	(Self-cont.)	125	186A047①
M45	AC Ammeter, Multi-range link connection	(Obsolete)	126	
KX44	DC Ammeter	(Self-cont.)	10	27D5422
KX44	DC Milliammeter		10	27D5422
KX44	DC Ammeter	(with shunt)	11	27D5423
KX44	DC Voltmeter		12	27D5424
KF44	DC Wattmeter	2-w	13	849A532
KF44	DC Wattmeter	3-w	14	849A533
KM44	AC Voltmeter	(Self-cont.)	15	2496A62
KM44	AC Voltmeter	(with PT)	16	26D1050
KC44	AC Voltmeter	(with PT)	17	3496A61
KM44	AC Ammeter	(Self-cont.)	18	3496A63
KC44	AC Ammeter	(Self-cont.)	18	3496A63
KM44	AC Ammeter	(with CT)	19	26D1049
KC44	AC Ammeter	(with CT)	19	26D1049
KF44	AC Wattmeter	(1-ph, 2-w, CT, PT)	20	26D1041
KF44	AC Wattmeter	(1-ph, 3-w, CT)	21	3496A57
KF44	AC Wattmeter	(1-ph, 3-w, CT, PT)	22	26D1042
KF44	AC Wattmeter	(3-ph, 3-w, CT, PT)	23	26D1042
KF44	AC Wattmeter	(3-ph, 4-w, CT, PT)	24	26D1046
KF44	Varmeter	(3-ph, 3-w, CT, PT, phase shifter)	25	26D1043
KF44	Varmeter	(3-ph, 4-w, CT, PT, phase shifter)	26	26D1047
KF44	Varmeter, crossphase	(3-ph, 3-w, CT, PT)	27	26D1048
KF44	Varmeter, crossphase	(3-ph, 4-w, CT, PT)	28	3503A83
KF44	Watt/varmeter, autoswitch	(3-ph, 3-w)	29	3497A17
KF44	Watt/varmeter, autoswitch	(3-ph, 4-w)	30	3496A64
KF44	AC Wattmeter, Universal	(1-ph, 2-w, CT, PT)	31	3496A58
KF44	AC Wattmeter, Universal	(1-ph, 3-w, CT)	32	291B829

① Transformers are shown in drawing but are omitted for self-contained connection.

② When switchboard type recorders are ordered for projection mounting they are designated UX-, UM-, or UF44. Connection diagrams are as shown for corresponding KX-, UX-, or UF44.



②	Recorder	Function	AD 43-400 Fig. No.	Dwg. No.
KF44	AC Wattmeter, Universal	(1-ph, 2-w, self-cont.)	33	3503A84
KF44	AC Wattmeter, Universal	(1-ph, 3-w, self-cont.)	34	3496A59
KF44	AC Wattmeter, Universal	(3-ph, 3-w, CT, PT)	35	291B829
KF44	AC Wattmeter, Universal	(3-ph, 3-w, CT)	36	291B829
KF44	AC Wattmeter, Universal	(3-ph, 4-w, CT, PT)	37	644B547
KF44	Varmeter, Universal	(3-ph, 3-w, CT, PT, phase shifter)	38	3503A86
KF44	Varmeter, Universal	(3-ph, 4-w, CT, PT, phase shifter)	39	644B547
KF44	Watt/Varmeter, Universal, autoswitch	(3-ph, 3-w)	40	3496A65
KF44	Watt/Varmeter, Universal, autoswitch	(3-ph, 4-w)	41	3496A66
KX44	Frequency Meter		42	185A705
KX44	Power Factor Meter	(1-ph, 2-w)	43
KX44	Power Factor Meter	(3-ph, 3-w)	44
KX44	Power Factor Meter	(3-ph, 4-w)	45
PX44	DC Voltmeter		55	3497A60
PX44	DC Ammeter	(with shunt)	56	3497A61
PX44	DC Ammeter	(self-cont.)	57	27D5422
PF44	DC Wattmeter, Utility	(2-w)	58	3497A62
PF44	DC Wattmeter, Utility	(2-w, 2 shunts)	59	3497A63
PF44	DC Wattmeter	(3-w)	60	3497A64
PM44	AC Voltmeter	(PT)	61	3407A69
PM44	AC Voltmeter	(Self-cont., multi-range)	62	3497A70
PC44	AC Voltmeter	(Self-cont., Multi-range)	67	3497A60
PM44	AC Ammeter	(CT)	64	26D1049
PC44	AC Ammeter	(CT)	64	26D1049
PM44	AC Ammeter	(1 range, self-cont.)	65	3496A63
PM44	AC Ammeter	(2 range, self-cont.)	66	186A193
PX44	Frequency Meter		68	185A705
PF44	AC Wattmeter	(1-ph, 2-w, CT)	69	3497A65
PF44	AC Wattmeter	(1-ph, 3-w, CT)	71	3497A66
PF44	AC Wattmeter	(3-ph, 3-w, CT, PT)	72	3497A67
PF44	AC Wattmeter	(3-ph, 3-w, CT)	73	3497A72
PF44	AC Wattmeter	(3-ph, 4-w, CT, PT)	74	3497A74
PF44	AC Wattmeter	(3-ph, 4-w, CT)	75	3497A75
PF44	AC Wattmeter	(3-ph, 4-w, Delta CT, PT)	76	3497A68
PF44	AC Wattmeter	(3-ph, 4-w, Delta CT)	77	3497A73
PF44	Varmeter	(3-ph, 3-w, PT, CT, phase shifter)	78	3503A77
PF44	Varmeter	(3-ph, 4-w, PT, CT, phase shifter)	79	3503A78
PF44	Watt/Varmeter, autoswitch	(3-ph, 3-w, CT, PT)	80	3497A84
PF44	Watt/Varmeter, autoswitch	(3-ph, 3-w, self-cont.)	81	3497A83
PF44	Watt/Varmeter, autoswitch	(3-ph, 4-w, CT, PT)	82	3497A85
PF44	Watt/Varmeter, autoswitch	(3-ph, 4-w, self-cont.)	83	3503A79
PF44	Wattmeter, utility	(1-ph, 2-w, CT)	84	3497A65
PF44	Wattmeter, utility	(1-ph, 3-w, CT)	85	3497A66
PF44	Wattmeter, utility	(3-ph, 3-w, CT, PT)	86	3497A67
PF44	Wattmeter, utility	(3-ph, 3-w, CT)	87	3497A72
PF44	Wattmeter, utility	(3-ph, 4-w, Delta CT, PT)	88	3497A68
PF44	Varmeter, utility	(3-ph, 3-w, CT, PT, ph shifter)	89	3503A77
PF44	Varmeter, utility	(3-ph, 4-w, Delta CT, PT, ph shifter)	90	3503A80
PF44	Watt/Varmeter, utility, autoswitch	(3-ph, 3-w)	91	3497A84
PX44	Power Factor Meter	(1-ph, 2-w)	101
PX44	Power Factor Meter	(3-ph, 3-w)	102
PX44	Power Factor Meter	(3-ph, 4-w)	103

② When switchboard type recorders are ordered for projection mounting they are designated UX-, UM-, or UF44. Connection diagrams are as shown for corresponding KX-, UX-, or UF44.



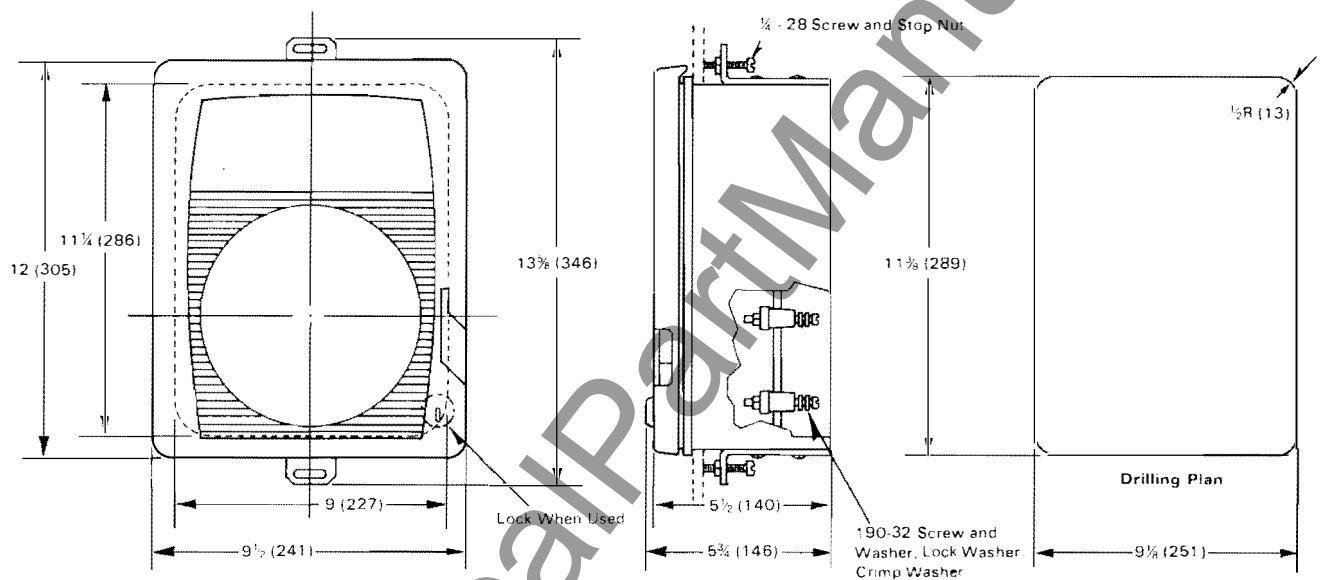
March, 1977
Supersedes 43-400 A WE A,
pages 37-38, dated February, 1974

Part III
Outline Dimensions, Drilling Plans,
Wiring Diagrams

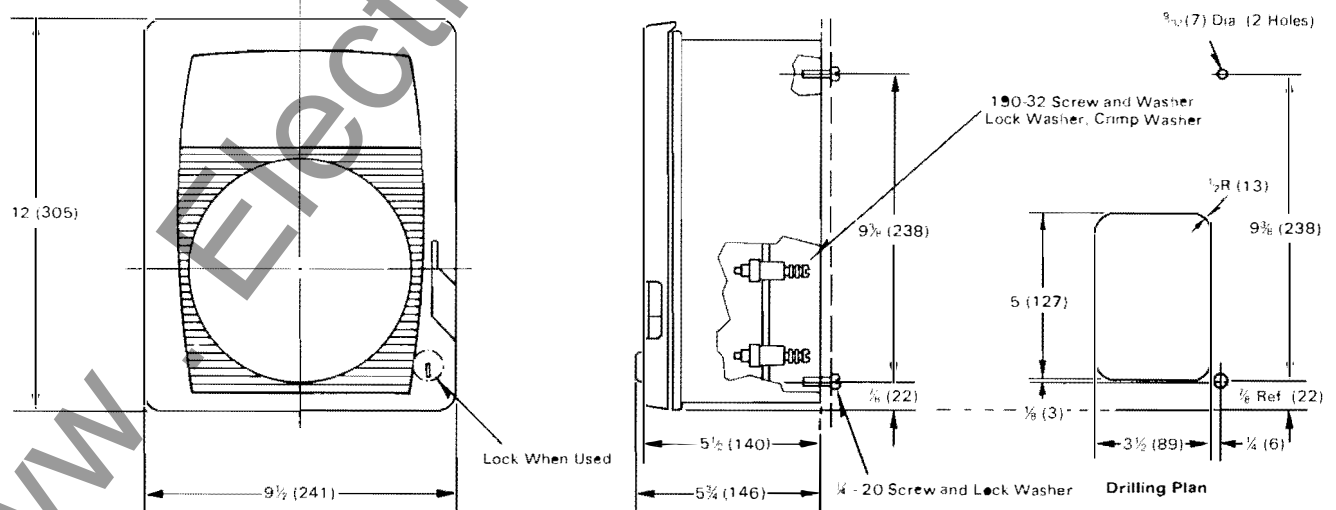
Type 45 Circular Chart Switchboard Recording Instruments

Mailed to: E, D, C/2038/DB

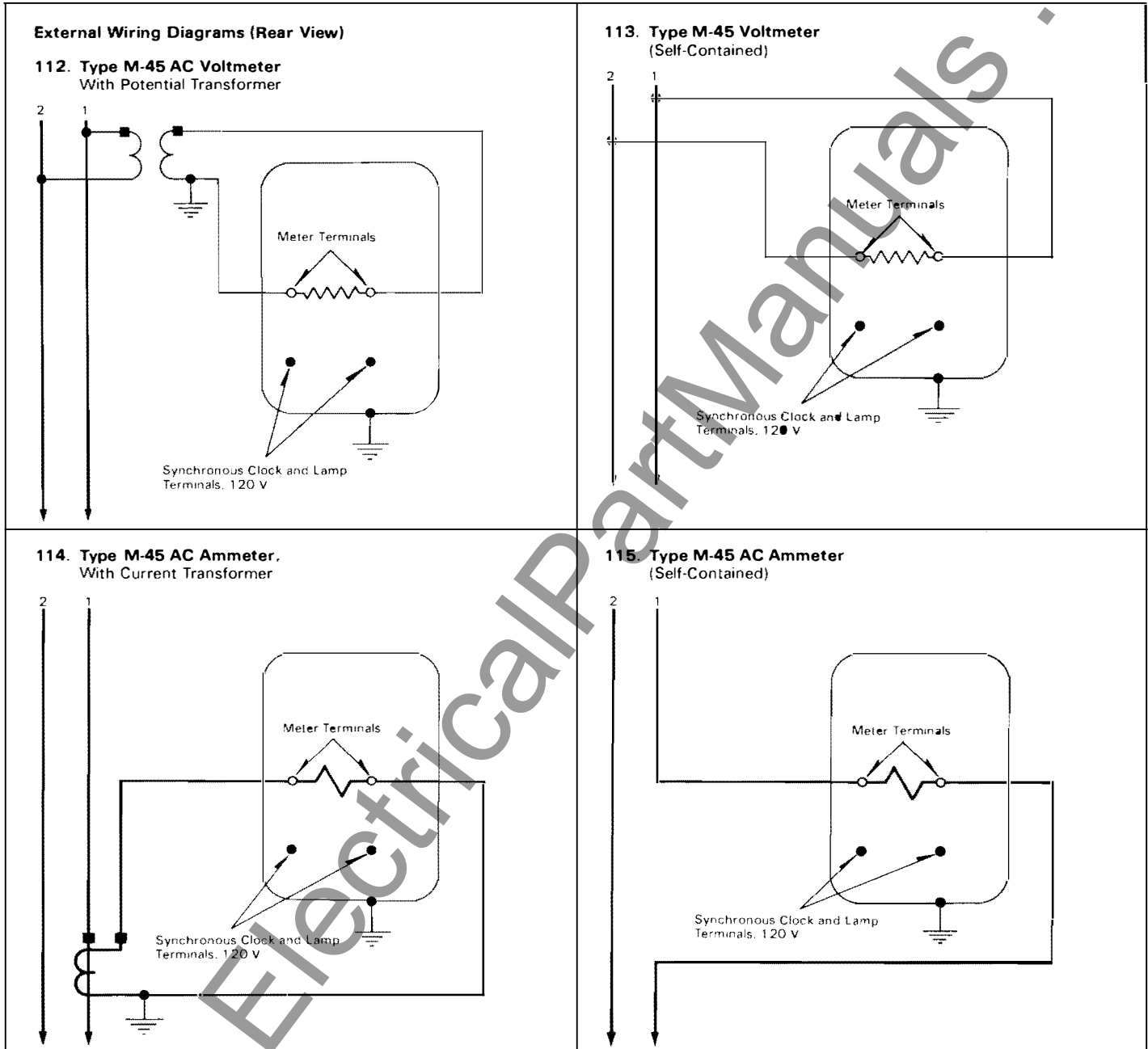
110. Outline Dimensions and Drilling Plan for Flush Type 45 Recording Instruments. Inches (Millimeters)



111. Outline Dimensions and Drilling Plan for Projection Type 45 Recording Instruments. Inches (Millimeters)



External Wiring Diagrams (Rear View)



Switchboard Recorders are usually single-range devices, however multi-range recorders are available for switchboard mounting. These utilize a switch on the mechanism plate for range changing. The switch on the dual-range voltmeter also changes the motor voltage.



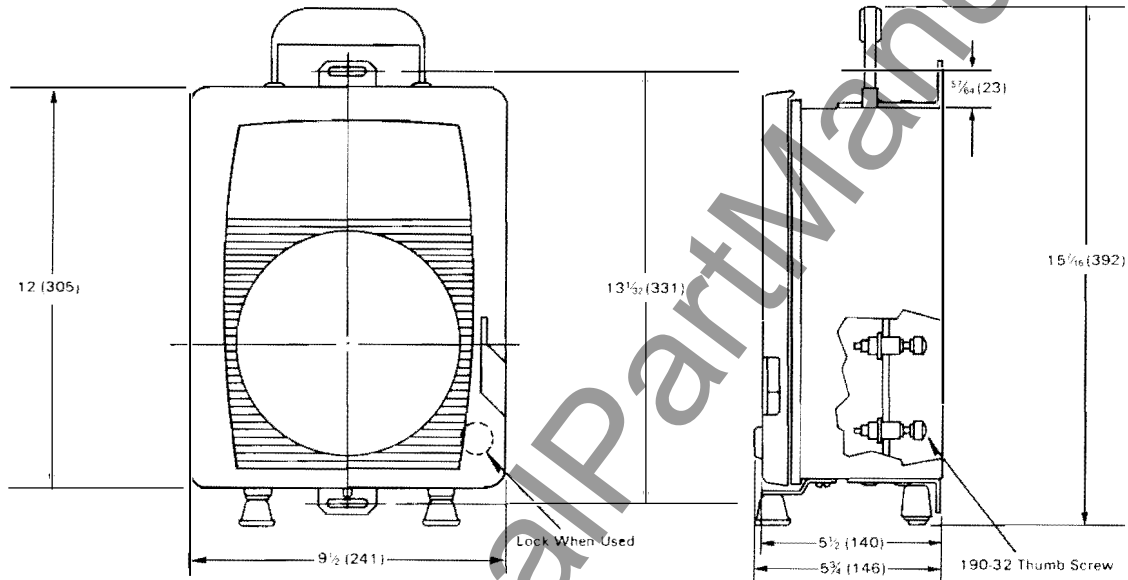
March, 1977
 Supersedes 43-400 A WE A,
 pages 39-40, dated February, 1974

Part III
 Outline Dimensions,
 Wiring Diagrams

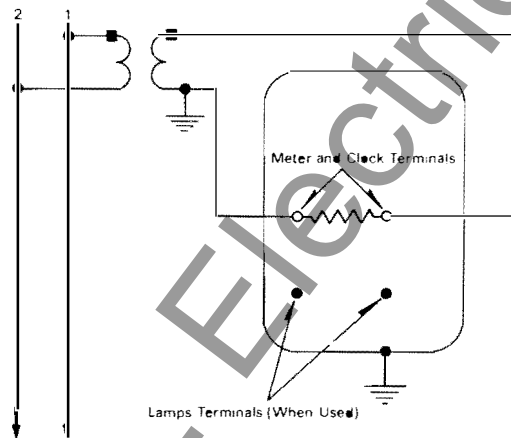
**Type 45 Circular
 Chart Portable
 Recording
 Instruments**

Mailed to: E, D, C/2038/DB

120. Outline Dimensions for Portable Type 45 Recording Instruments. Inches (Millimeters)

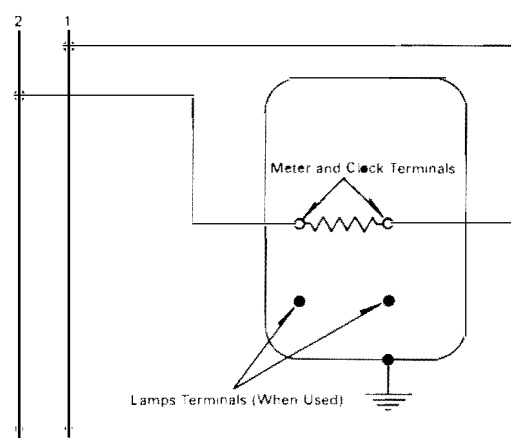


121. Type M-45 AC Voltmeter.
 With Potential Transformer



Multi-range ammeters use a range-changing switch mounted on the mechanism plate.
 Some older ammeters use connector links.

122. Type M-45 AC Voltmeter
 Self-Contained (All Types Except 450-700 Volt Range)

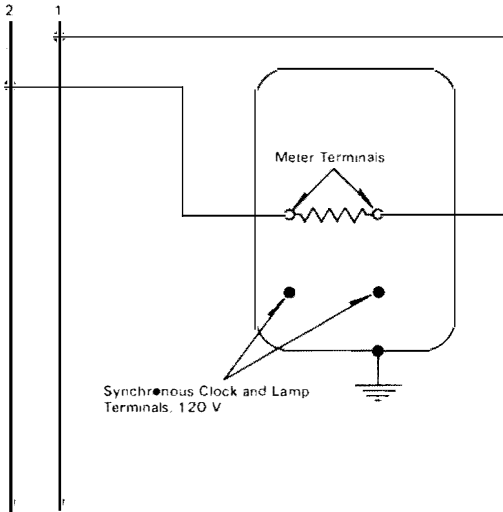


Multi-range ammeters use a range-changing switch mounted on the mechanism plate.
 Some older ammeters use connector links.

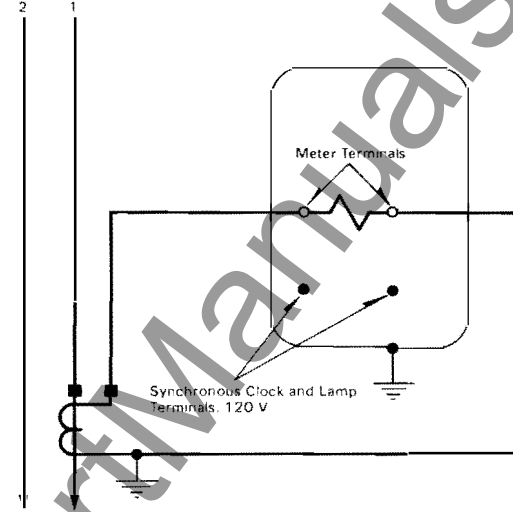


www.westinghouse.com

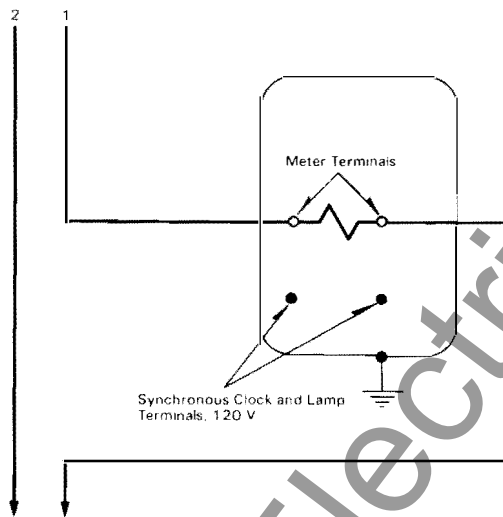
123. Type M-45 Voltmeter.
Self-Contained (All Switchboard Types and 450-700 Volt Range Portable Type)



124. Type M-45 AC Ammeter.
With Current Transformer

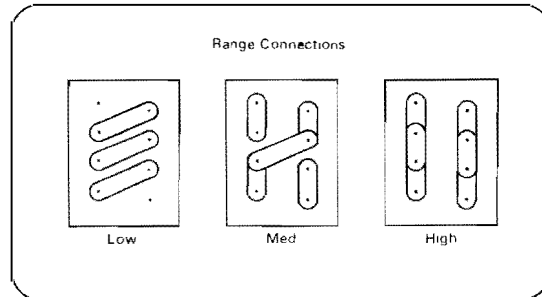


125. Type M-45 AC Ammeter
(Self-Contained)



Dual-range voltmeters are provided with a range-changing switch which also switches the motor voltage.

126. Triple Range Ammeter Connections
(Obsolete)





February 21, 1975
Supersedes PL 43-402, pages 1-2, dated
November 8, 1974 and pages 3-14, dated
December 1, 1972
E, D, C/2038/PL/DB

Ordering Information

Recorder Charts Part IV

General Information

To Determine the Description of a Chart
from the Style Number use
Pages Pages 47-52

To Select Charts for a Particular Recorder
use Pages Pages 43-46

Style Number Listing for Both Current and
Obsolete Types Pages 47-52

Function and Range Listing for Current
Types Only:
Type 44 Pages 43-45
Type 45 Page 46

Ordering Information

Charts should be ordered direct from
Graphic Controls Corporation
189 Van Rensselaer St.
Buffalo, NY, 14210

Authorized manufacturer and distributor of
charts for recorders made by
Westinghouse Electric Corporation
Relay-Instrument Division

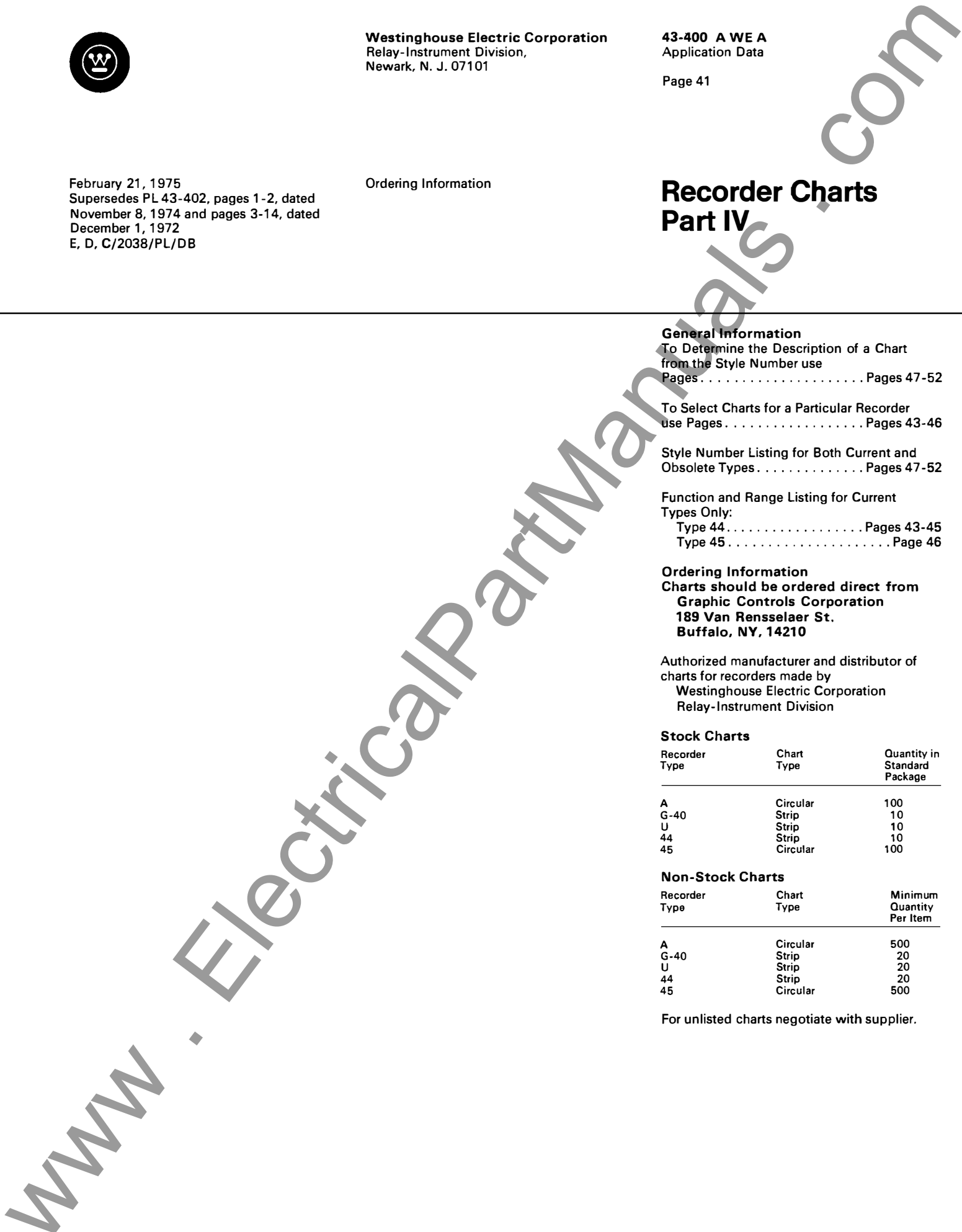
Stock Charts

Recorder Type	Chart Type	Quantity in Standard Package
A	Circular	100
G-40	Strip	10
U	Strip	10
44	Strip	10
45	Circular	100

Non-Stock Charts

Recorder Type	Chart Type	Minimum Quantity Per Item
A	Circular	500
G-40	Strip	20
U	Strip	20
44	Strip	20
45	Circular	500

For unlisted charts negotiate with supplier.



Typical Charts for 44 Recorders
Fig 1: Uniform Scale AVW
 For Dc Voltmeters and Ammeters
 Ac Wattmeters, and Varmeters

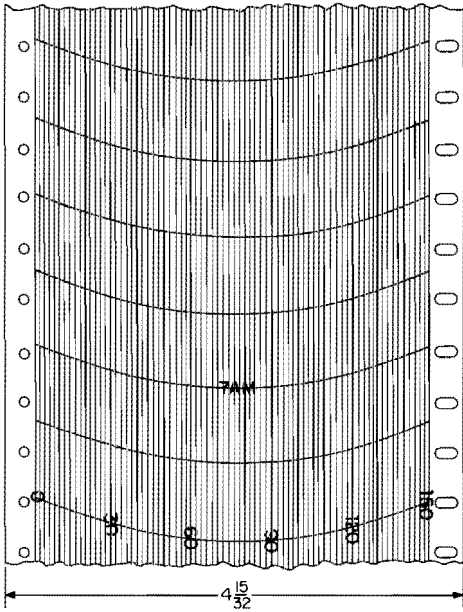


Fig 2: Non-Uniform Scale
 For Ac Voltmeters and Ammeters A, V and AV

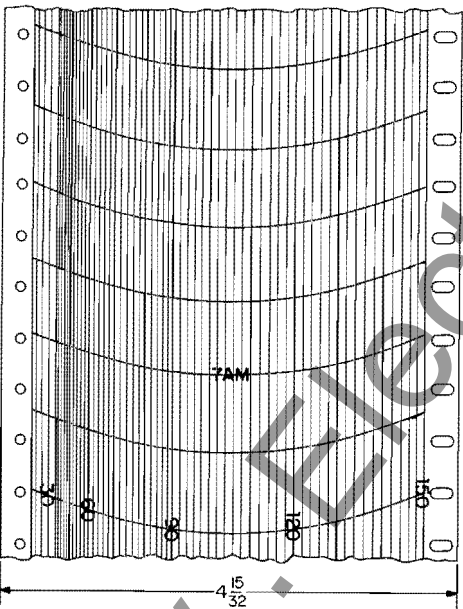


Chart Scale Patterns
 Scale Location of Capacity Markings (Dots)

		Division Plan		
		Main Division	Sub-Division	Total
1A		6	5	30
1B		8	4	32
1C		8	5	40
1D		10	5	50
1E		12	5	60
1F		15	5	75
2G		8	5	40 ^①
2H		10	5	50 ^②
2I		12	5	60 ^③
2J		15	5	75 ^③

- ① First ten subdivisions are omitted.
- ② First fifteen subdivisions are omitted.
- ③ First twenty subdivisions are omitted.

Chart Data

4 15/32 in. wide, 4 in. scale, 108 ft. long

Speed in./hr.	3/4	1 1/2	3	6	12
Total run, days	71	35	17	8	4

WWW

com



Use Pages 43, 44, 45 and 46 to Select Chart Style for a Specific Recorder

44 Recorder Chart Selector Guide

Style numbers suffixed © available from stock of effective date of this page.

Uniform: Left Zero

Dc Ammeters, Voltmeters, Ac Wattmeters, Varmeters

Scale	Style Number By Chart Speed					Fig. Scale
	¼ In./Hr.	1½ In./Hr.	3 In./Hr.	6 In./Hr.	12 In./Hr.	
0-1	1729 185©	1729 186©	1729 187©	1729 188	1729 189	1D
0-2	1729 590©	1729 591	1729 592	1729 593	1729 594	1C
0-3	1729 515	1729 516	1729 517©	1729 518	1729 519	1A
0-4	1729 595	1729 596©	1729 597©	1729 598	1729 599	1C
0-5	1729 190©	1729 191	1729 192©	1729 193	1729 194	1D
0-6	1729 780	1729 781	1729 782©	1729 783	1729 784	1E
0-7.5	1729 735	1729 736	1729 737©	1729 738	1729 739	1F
0-8	1729 600	1729 601	1729 602©	1729 603	1729 604	1C
0-10	1729 195	1729 196©	1729 197©	1729 198	1729 199	1D
0-12	1729 785	1729 786©	1729 787©	1729 788	1729 789	1E
0-15	1729 740©	1729 741©	1729 742©	1729 743	1729 744	1F
0-16	1729 440	1729 441	1729 442©	1729 443	1729 444	1B
0-20	1729 605©	1729 606	1729 607©	1729 608	1729 609	1C
0-25	1729 200	1729 201©	1729 202©	1729 203	1729 204	1D
0-30	1729 520	1729 521	1729 522©	1729 523	1729 524	1A
0-32	1729 445	1729 446	1729 447	1729 448	1729 449	1B
0-40	1729 610	1729 611©	1729 612©	1729 613	1729 614	1C
0-50	1729 205	1729 206©	1729 207©	1729 208	1729 209	1D
0-60	1729 790	1729 791	1729 792©	1729 793	1729 794	1E
0-64	1729 450	1729 451	1729 452	1729 453	1729 454	1B
0-75	1729 745	1729 746	1729 747©	1729 748	1729 749©	1F
0-80	1729 615	1729 616	1729 617	1729 618	1729 619	1C
0-100	1729 210	1729 211	1729 212©	1729 213	1729 214	1D
0-120	1729 795	1729 796	1729 797©	1729 798	1729 799	1E
0-150	1729 750	1729 751©	1729 752©	1729 753	1729 754	1F
0-160	1729 455	1729 456	1729 457©	1729 458	1729 459	1B
0-200	1729 620	1729 621	1729 622©	1729 623	1729 624	1C
0-250	1729 215	1729 216	1729 217©	1729 218	1729 219	1D
0-300	1729 525	1729 526	1729 527©	1729 528	1729 529	1A
0-320	1729 460	1729 461	1729 462	1729 463	1729 464	1B
0-400	1729 625©	1729 626	1729 627©	1729 628	1729 629	1C
0-500	1729 220	1729 221	1729 222©	1729 223	1729 224	1D
0-600	1729 800©	1729 801	1729 802©	1729 803	1729 804	1E
0-640	1729 465	1729 466	1729 467©	1729 468	1729 469	1B
0-750	1729 755	1729 756	1729 757©	1729 758	1729 759	1F
0-800	1729 630©	1729 631	1729 632©	1729 633	1729 634	1C
0-1000	1729 225©	1729 226	1729 227©	1729 228	1729 229©	1D
0-1200	1729 805©	1729 806	1729 807©	1729 808	1729 809	1E
0-1500	1729 760	1729 761©	1729 762©	1729 763	1729 764©	1F
0-1600	1729 470	1729 471	1729 472©	1729 473	1729 474	1B
0-2000	1729 635	1729 636©	1729 637©	1729 638	1729 639	1C
0-2500	1729 230	1729 231©	1729 232©	1729 233	1729 234	1D
0-3000	1729 535©	1729 536©	1729 537©	1729 538©	1729 539	1A
0-3200	1729 475	1729 476	1729 477©	1729 478	1729 479	1B
0-4000	1729 640	1729 641©	1729 642©	1729 643	1729 644	1C
0-5000	1729 235©	1729 236©	1729 237©	1729 238	1729 239	1D
0-6000	1729 810	1729 811	1729 812©	1729 813	1729 814	1E
0-6400	1729 480	1729 481	1729 482	1729 483	1729 484	1B
0-7500	1729 765©	1729 766	1729 767©	1729 768	1729 769	1F
0-8000	1729 645©	1729 646	1729 647©	1729 648	1729 649	1C

www.ElectricalPart.com

44 Recorder Chart Selector Guide, Continued
Uniform: Center Zero
 Dc Ammeters, Voltmeters, Ac Wattmeters, Varmeters

Scale	Style Number By Chart Speed					Fig. Scale
	¼ In./Hr.	1 ½ In./Hr.	3 In./Hr.	6 In./Hr.	12 In./Hr.	
1-0-1	1729 650	1729 651	1729 652	1729 653	1729 654	1C
1.5-0-1.5	1729 540	1729 541	1729 542	1729 543	1729 544	1A
5-0-5	1729 260	1729 261	1729 262 [Ⓢ]	1729 263	1729 264	1D
8-0-8	1729 485	1729 486	1729 487	1729 488	1729 489	1B
10-0-10	1729 655	1729 656 [Ⓢ]	1729 657 [Ⓢ]	1729 658	1729 659	1C
12-0-12	1728 688	1728 689 [Ⓢ]	1728 690	1728 691	1728 692	1C
15-0-15	1729 545 [Ⓢ]	1729 546 [Ⓢ]	1729 547 [Ⓢ]	1729 548	1729 549	1A
20-0-20	1729 660	1729 661	1729 662 [Ⓢ]	1729 663	1729 664	1C
25-0-25	1729 265	1729 266 [Ⓢ]	1729 267 [Ⓢ]	1729 268	1729 269	1D
30-0-30	1729 825	1729 826 [Ⓢ]	1729 827 [Ⓢ]	1729 828	1729 829	1E
40-0-40	1729 665	1729 666 [Ⓢ]	1729 667	1729 668	1729 669	1C
50-0-50	1729 270	1729 271 [Ⓢ]	1729 272 [Ⓢ]	1729 273	1729 274	1D
60-0-60	1729 830	1729 831 [Ⓢ]	1729 832 [Ⓢ]	1729 833	1729 834	1E
80-0-80	1729 490 [Ⓢ]	1729 491	1729 492 [Ⓢ]	1729 493	1729 494	1B
100-0-100	1729 670	1729 671 [Ⓢ]	1729 672 [Ⓢ]	1729 673	1729 674	1C
125-0-125	1729 275	1729 276	1729 277 [Ⓢ]	1729 278 [Ⓢ]	1729 279	1D
150-0-150	1729 550	1729 551	1729 552 [Ⓢ]	1729 553	1729 554	1A
200-0-200	1729 675	1729 676 [Ⓢ]	1729 677 [Ⓢ]	1729 678	1729 679	1C
250-0-250	1729 280	1729 281	1729 282 [Ⓢ]	1729 283	1729 284	1D
300-0-300	1729 835	1729 836 [Ⓢ]	1729 837 [Ⓢ]	1729 838	1729 839	1E
400-0-400	1729 680	1729 681	1729 682 [Ⓢ]	1729 683	1729 684	1C
500-0-500	1729 285	1729 286	1729 287 [Ⓢ]	1729 288	1729 289	1D
600-0-600	1729 840	1729 841	1729 842 [Ⓢ]	1729 843	1729 844	1E
800-0-800	1729 495	1729 496	1729 497 [Ⓢ]	1729 498 [Ⓢ]	1729 499	1B
1000-0-1000	1729 685 [Ⓢ]	1729 686	1729 687 [Ⓢ]	1729 688	1729 689	1C
1500-0-1500	1729 555	1729 556	1729 557 [Ⓢ]	1729 558	1729 559	1A
2000-0-2000	1729 690	1729 691	1729 692 [Ⓢ]	1729 693	1729 694	1C
2500-0-2500	1729 290	1729 291	1729 292 [Ⓢ]	1729 293	1729 294	1D
3000-0-3000	1729 845 [Ⓢ]	1729 846	1729 847 [Ⓢ]	1729 848	1729 849	1E
4000-0-4000	1729 695	1729 696	1729 697	1729 698	1729 699	1C
5000-0-5000	1729 295	1729 296	1729 297 [Ⓢ]	1729 298	1729 299	1D
6000-0-6000	1729 850	1729 851 [Ⓢ]	1729 852 [Ⓢ]	1729 853	1729 854	1E
8000-0-8000	1729 500	1729 501	1729 502 [Ⓢ]	1729 503	1729 504	1B



44 Recorder Chart Selector Guide, Continued

Non-Uniform: Left Zero

Ac Ammeters, Voltmeters

Scale	Style Number By Chart Speed					Fig. Scale
	¼ In./Hr.	1½ In./Hr.	3 In./Hr.	6 In./Hr.	12 In./Hr.	
0-1	1729 360	1729 361	1729 362	1729 363	1729 364	2H
0-2.5	1729 365	1729 366	1729 367	1729 368	1729 369	2H
0-5	1729 370 [Ⓢ]	1729 371 [Ⓢ]	1729 372 [Ⓢ]	1729 373	1729 374	2H
0-6	1729 315	1729 316	1729 317 [Ⓢ]	1729 318	1729 319	2I
0-7.5	1729 560	1729 561	1729 562	1729 563	1729 564	2J
0-8	1728 791	1728 792	1728 793	1728 794	1728 795	2G
0-9	1729 420	1729 421	1729 422 [Ⓢ]	1729 423	1729 424	2G
0-10	1729 375	1729 376 [Ⓢ]	1729 377	1729 378	1729 379	2H
0-12	1729 320	1729 321	1729 322	1729 323	1729 324	2I
0-15	1729 565	1729 566 [Ⓢ]	1729 567 [Ⓢ]	1729 568	1729 569	2J
0-18	1729 430	1729 431	1729 432 [Ⓢ]	1729 433	1729 434	...
0-20	1729 865	1729 866	1729 867 [Ⓢ]	1729 868	1729 869	2G
0-25	1729 380	1729 381	1729 382	1729 383	1729 384	2H
0-30	1729 325	1729 326	1729 327 [Ⓢ]	1729 328	1729 329	2I
0-40	1729 870	1729 871	1729 872 [Ⓢ]	1729 873	1729 874	2G
0-50	1729 385	1729 386 [Ⓢ]	1729 387	1729 388	1729 389	2H
0-60	1729 330	1729 331	1729 332	1729 333	1729 334	2I
0-75	1729 570	1729 571	1729 572 [Ⓢ]	1729 573	1729 574	2J
0-80	1729 875	1729 876	1729 877	1729 878	1729 879	2G
0-90	1729 425	1729 426	1729 427 [Ⓢ]	1729 428	1729 429	2G
0-100	1729 390	1729 391 [Ⓢ]	1729 392 [Ⓢ]	1729 393 [Ⓢ]	1729 394	2H
0-120	1729 335	1729 336	1729 337	1729 338	1729 339	2I
0-150	1729 575 [Ⓢ]	1729 576 [Ⓢ]	1729 577 [Ⓢ]	1729 578 [Ⓢ]	1729 579 [Ⓢ]	2J
0-180	1729 435	1729 436	1729 437	1729 438	1729 439	...
0-200	1729 880	1729 881	1729 882 [Ⓢ]	1729 883	1729 884	2G
0-250	1729 395	1729 396	1729 397	1729 398	1729 399	2H
0-300	1729 340 [Ⓢ]	1729 341 [Ⓢ]	1729 342 [Ⓢ]	1729 343 [Ⓢ]	1729 344	2I
0-400	1729 885 [Ⓢ]	1729 886 [Ⓢ]	1729 887 [Ⓢ]	1729 888	1729 889	2G
0-500	1729 400	1729 401	1729 402 [Ⓢ]	1729 403	1729 404	2H
0-600	1729 345 [Ⓢ]	1729 346 [Ⓢ]	1729 347 [Ⓢ]	1729 348	1729 349	3I
0-750	1729 580	1729 581	1729 582	1729 583	1729 584	2J
0-800	1729 890	1729 891	1729 892 [Ⓢ]	1729 893	1729 894	2G
0-1000	1729 405	1729 406	1729 407 [Ⓢ]	1729 408	1729 409	2H
0-1200	1729 350 [Ⓢ]	1729 351	1729 352	1729 353	1729 354	2I
0-1500	1729 585	1729 586	1729 587 [Ⓢ]	1729 588	1729 589	2J
0-2000	1729 895	1729 896	1729 897 [Ⓢ]	1729 898	1729 899	2G
0-2500	1729 410	1729 411	1729 412	1729 413	1729 414	2H
0-3000	1729 355 [Ⓢ]	1729 356 [Ⓢ]	1729 357 [Ⓢ]	1729 358	1729 359	2I
0-4000	1729 900	1729 901	1729 902 [Ⓢ]	1729 903	1729 904	2G
0-5000	1729 415 [Ⓢ]	1729 416 [Ⓢ]	1729 417 [Ⓢ]	1729 418	1729 419	2H
0-6000	45A7538G46	45A7538G47	45A7538G48	45A7538G49	45A7538G50	2I
0-8000	1728 796	1728 797	1728 798 [Ⓢ]	1728 799	1728 800	2G

Uniform: Left Zero

Speed Indicators

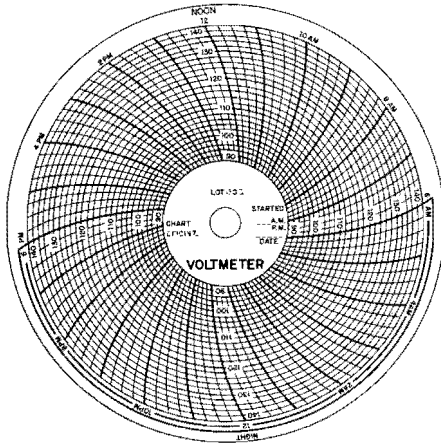
Scale	Style Number By Chart Speed					Fig. Scale
	¼ In./Hr.	1½ In./Hr.	3 In./Hr.	6 In./Hr.	12 In./Hr.	
0-200 ^①	4827D55G01	4827D55G02	4827D55G03	4827D55G04	4827D55G05	...
0-2500 ^②	4807D25G01	4807D25G02	4807D25G03	4807D25G04	4807D25G05	...
0-5000 ^①	4826D84G01	4826D84G02	4826D84G03	4826D84G04	4826D84G05	...

Frequency Meters

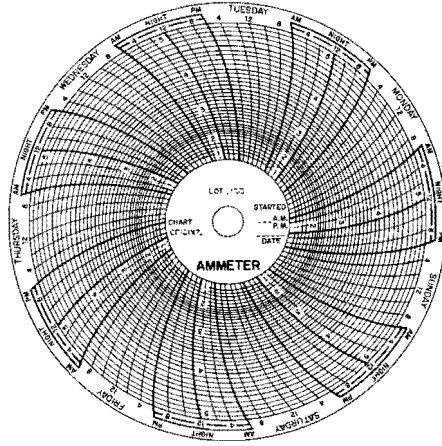
Scale	Style Number By Chart Speed					Fig. Scale
	¼ In./Hr.	1½ In./Hr.	3 In./Hr.	6 In./Hr.	12 In./Hr.	
45-55	1729 300	1729 301	1729 302 [Ⓢ]	1729 303	1729 304	...
55-65	1729 310 [Ⓢ]	1729 311 [Ⓢ]	1729 312 [Ⓢ]	1729 313	1729 314	...
58-62	1729 725	1729 726	1729 727 [Ⓢ]	1729 728	1729 729	...
50-70	1729 720	1729 721	1729 722	1729 723	1729 724	1C
52-68	1729 510	1729 511	1729 512	1729 513	1729 514	...
59-61	1729 700	1729 701	1729 702	1729 703	1729 704	...
50-60	1729 305	1729 306	1729 307	1729 308	1729 309	...

① 1500 rpm base speed.
② 500 rpm base speed.

45 Recorder Chart Selector Guide



1-Day Chart



7-Day Chart

Charts are low-cost, and manufactured to rigid specifications to prevent feathering and curling.

Reading	Scale	Style Number (Per Unit)			
		1-Day	3-Day	7-Day	8-Hour
Amperes, Ac	0-2.5	542D768H08	542D771 H08
	0-5	542D768H03	542D774H02	542D771H02	5099D72H02
	0-10	542D768H09	542D771H09
	0-20	542D768H10	542D771H10
	0-30	542D768H21
	0-50	542D768H11	542D771 H11
	0-75	542D768H24
	0-100	542D768H12	542D771 H12
	0-150	542D768H17	542D771 H17
	0-200	542D768H13	542D771H13	5099D72H03
	0-300	542D768H20
	0-400	542D768H14	542D771 H14
	0-600	542D768H15	542D771 H15
	0-800	542D768H16	542D771H16
	0-1200	542D771H18
0-2000	542D768H22	542D771 H19	
0-3000	542D768H18	542D771 H25	
Volts, Ac	0-150	542D768H25	542D771 H20
	90-140	542D768H02	542D774H03	542D771H03	5099D72H01
	140-240	542D768H26
	180-280	542D768H04	542D774H05	542D771 H04
	200-300	542D768H19	542D771H21
	210-310	542D768H23	542D771H22
	360-560	542D768H05	542D771H05
	450-700	542D768H06	542D771H06
	1800-2800	542D768H07	542D771H07
	420-620	542D768H27	542D771 H24
	0-5000	542D771H23

www.ElectricalPartManuals.com



1st Column: Chart style number
2nd Column: Recorder type
3rd Column: Scale range (See Page 42 for A, V, W Code^①)
4th Column: Chart speed is inches per hour unless otherwise noted

836 812 ^⑤	G-40	500 AVW	3	1093 087	G-40	80 AVW	1½	1093 233	G-40	30-0-30 AVW	¾
877 033	G-40	59-61 C	3	1093 095	G-40	800 AVW	3	1093 234	G-40	30-0-30 AVW	1½
878 231 ^⑤	G-40	20 AVW	3	1093 097 ^⑤	G-40	2000 AVW	¾	1093 235 ^⑤	G-40	30-0-30 AVW	3
930 186	G-40	100 AVW	¾	1093 098	G-40	2000 AVW	1½	1093 237 ^⑤	G-40	60-0-60 AVW	¾
930 718 ^⑤	G-40	100 AVW	3	1093 099 ^⑤	G-40	2000 AVW	3	1093 238	G-40	60-0-60 AVW	1½
1000 781	A	90/130V/5A	24 hr	1093 101 ^⑤	G-40	4000 AVW	¾	1093 239	G-40	60-0-60 AVW	3
1000 782	A	90/130V/5A	7 da	1093 102	G-40	4000 AVW	1½	1093 241	G-40	300-0-300 AVW	¾
1002 027 ^⑤	G-40	1000 AVW	3	1093 103 ^⑤	G-40	4000 AVW	3	1093 242	G-40	300-0-300 AVW	1½
1002 092 ^⑤	A	5 A	24 hr	1093 105 ^⑤	G-40	8000 AVW	¾	1093 243	G-40	300-0-300 AVW	3
1003 385 ^⑤	G-40	150 AV	3	1093 106 ^⑤	G-40	8000 AVW	1½	1093 249	G-40	3000-0-3000 AVW	¾
1003 386	G-40	9 AV	¾	1093 107 ^⑤	G-40	8000 AVW	3	1093 250	G-40	3000-0-3000 AVW	1½
1003 392	G-40	150 AVW	¾	1093 109	G-40	10-0-10 AVW	¾	1093 251	G-40	3000-0-3000 AVW	3
1003 591	G-40	80 AVW	3	1093 110	G-40	10-0-10 AVW	1½	1093 254	G-40	6000-0-6000 AVW	1½
1003 592	G-40	200 AVW	3	1093 111	G-40	10-0-10 AVW	3	1093 255	G-40	6000-0-6000 AVW	3
1003 593	G-40	400 AVW	3	1093 113	G-40	20-0-20 AVW	¾	1093 257	G-40	15 AVW	¾
1003 594	G-40	120 AVW	3	1093 114	G-40	20-0-20 AVW	1½	1093 258	G-40	15 AVW	1½
1003 639	G-40	80 AVW	¾	1093 115	G-40	20-0-20 AVW	3	1093 259 ^⑤	G-40	15 AVW	3
1003 640	G-40	400 AVW	¾	1093 117 ^⑤	G-40	40-0-40 AVW	¾	1093 260	G-40	15 AVW	6
1003 642	G-40	1000 AVW	¾	1093 118	G-40	40-0-40 AVW	1½	1093 261	G-40	75 AVW	¾
1003 708 ^⑤	G-40	6000 AVW	3	1093 119	G-40	40-0-40 AVW	3	1093 263 ^⑤	G-40	75 AVW	3
1003 752 ^⑤	G-40	5 AV	3	1093 121 ^⑤	G-40	100-0-100 AVW	¾	1093 266 ^⑤	G-40	150 AVW	3
1059 244	G-40	7.5 AVW	¾	1093 123	G-40	100-0-100 AVW	3	1093 270 ^⑤	G-40	750 AVW	3
1059 245	G-40	7.5 AVW	1½	1093 129	G-40	1000-0-1000 AVW	¾	1093 273 ^⑤	G-40	1500 AVW	1½
1059 246 ^⑤	G-40	7.5 AVW	3	1093 137	G-40	4000-0-4000 AVW	¾	1093 274 ^⑤	G-40	1500 AVW	3
1059 248	G-40	15-0-15 AVW	¾	1093 138	G-40	4000-0-4000 AVW	1½	1093 276	G-40	7500 AVW	¾
1059 249	G-40	15-0-15 AVW	1½	1093 139 ^⑤	G-40	4000-0-4000 AVW	3	1093 278 ^⑤	G-40	7500 AVW	3
1059 250	G-40	15-0-15 AVW	3	1093 141 ^⑤	G-40	1 AVW	¾	1093 280 ^⑤	G-40	20 AV	¾
1059 253	G-40	150-0-150 AVW	1½	1093 142	G-40	1 AVW	1½	1093 281	G-40	20 AV	1½
1059 254 ^⑤	G-40	150-0-150 AVW	3	1093 143 ^⑤	G-40	1 AVW	3	1093 282 ^⑤	G-40	20 AV	3
1059 257	G-40	6 AV	1½	1093 145	G-40	5 AVW	¾	1093 284	G-40	40 AV	¾
1059 258	G-40	6 AV	3	1093 147	G-40	5 AVW	3	1093 286	G-40	40 AV	3
1059 261 ^⑤	G-40	9 AV	3	1093 149 ^⑤	G-40	10 AVW	¾	1093 292	G-40	200 AV	¾
1059 332 ^⑤	A	90-140 V	3 da	1093 150	G-40	10 AVW	1½	1093 293	G-40	200 AV	1½
1063 625 ^⑤	A	75 A	24 hr	1093 151 ^⑤	G-40	10 AVW	3	1093 296	G-40	400 AV	¾
1063 626 ^⑤	A	100 A	24 hr	1093 153	G-40	25 AVW	¾	1093 298 ^⑤	G-40	400 AV	3
1063 628	A	15 A	7 da	1093 154	G-40	25 AVW	1½	1093 300	G-40	800 AV	¾
1063 629	A	25 A	7 da	1093 155 ^⑤	G-40	25 AVW	3	1093 301	G-40	800 AV	1½
1063 632	A	125 A	7 da	1093 157	G-40	50 AVW	¾	1093 302	G-40	800 AV	3
1063 633 ^⑤	A	360-560 V	24 hr	1093 158	G-40	50 AVW	1½	1093 306	G-40	2000 AV	3
1063 635 ^⑤	A	360-560 V	7 da	1093 159 ^⑤	G-40	50 AVW	3	1093 310	G-40	4000 AV	3
1093 002	G-40	3 AVW	3	1093 161	G-40	100 AVW	1½	1093 316 ^⑤	G-40	5 AV	¾
1093 004	G-40	30 AVW	6	1093 162	G-40	250 AVW	¾	1093 317	G-40	5 AV	1½
1093 006 ^⑤	G-40	30 AVW	3	1093 164	G-40	250 AVW	3	1093 318	G-40	5 AV	6
1093 010	G-40	300 AVW	3	1093 166	G-40	500 AVW	¾	1093 319 ^⑤	G-40	10 AV	¾
1093 012 ^⑤	G-40	3000 AVW	¾	1093 167	G-40	500 AVW	1½	1093 321	G-40	10 AV	3
1093 013	G-40	3000 AVW	1½	1093 169	G-40	1000 AVW	1½	1093 327	G-40	50 AV	¾
1093 014 ^⑤	G-40	3000 AVW	3	1093 170 ^⑤	G-40	1000 AVW	6	1093 328 ^⑤	G-40	50 AV	1½
1093 016 ^⑤	G-40	1500-0-1500 AVW	¾	1093 171	G-40	2500 AVW	¾	1093 329	G-40	50 AV	3
1093 021	G-40	16 AVW	1½	1093 172 ^⑤	G-40	2500 AVW	1½	1093 331	G-40	100 AV	¾
1093 022 ^⑤	G-40	16 AVW	3	1093 173 ^⑤	G-40	2500 AVW	3	1093 332	G-40	100 AV	1½
1093 034	G-40	160 AVW	3	1093 176 ^⑤	G-40	5000 AVW	1½	1093 333	G-40	100 AV	3
1093 044	G-40	1600 AVW	¾	1093 177 ^⑤	G-40	500 AVW	3	1093 340	G-40	500 AV	1½
1093 045	G-40	1600 AVW	1½	1093 183	G-40	25-0-25 AVW	¾	1093 341 ^⑤	G-40	500 AV	3
1093 046	G-40	1600 AVW	3	1093 184	G-40	25-0-25 AVW	1½	1093 344	G-40	1000 AV	1½
1093 048	G-40	8-0-8 AVW	¾	1093 187	G-40	50-0-50 AVW	¾	1093 345	G-40	1000 AV	3
1093 049	G-40	8-0-8 AVW	1½	1093 188	G-40	50-0-50 AVW	1½	1093 349	G-40	2500 AV	3
1093 050	G-40	8-0-8 AVW	3	1093 189	G-40	50-0-50 AVW	3	1093 351	G-40	5000 AV	¾
1093 052 ^⑤	G-40	80-0-80 AVW	¾	1093 191	G-40	250-0-250 AVW	¾	1093 352	G-40	5000 AV	1½
1093 053	G-40	80-0-80 AVW	1½	1093 205 ^⑤	G-40	5000-0-5000 AVW	3	1093 353 ^⑤	G-40	5000 AV	3
1093 056	G-40	200-0-200 AVW	¾	1093 209	G-40	6 AVW	3	1093 359	G-40	60 AV	¾
1093 065	G-40	8000-0-8000 AVW	1½	1093 211 ^⑤	G-40	12 AVW	¾	1093 360	G-40	60 AV	1½
1093 066	G-40	8000-0-8000 AVW	3	1093 212	G-40	12 AVW	1½	1093 361	G-40	60 AV	3
1093 069	G-40	2 AVW	1½	1093 213 ^⑤	G-40	12 AVW	3	1093 364	G-40	120 AV	1½
1093 072 ^⑤	G-40	4 AVW	¾	1093 215	G-40	60 AVW	¾	1093 367 ^⑤	G-40	300 AV	¾
1093 074 ^⑤	G-40	4 AVW	3	1093 216	G-40	60 AVW	1½	1093 368	G-40	300 AV	1½
1093 078 ^⑤	G-40	8 AVW	3	1093 217 ^⑤	G-40	60 AVW	3				
1093 080	G-40	20 AVW	¾	1093 223 ^⑤	G-40	600 AVW	3				
1093 083 ^⑤	G-40	40 AVW	¾	1093 227 ^⑤	G-40	1200 AVW	3				
1093 084	G-40	40 AVW	1½	1093 229 ^⑤	G-40	6000 AVW	¾				
1093 085 ^⑤	G-40	40 AVW	3	1093 230	G-40	6000 AVW	1½				

① Styles with A, V, or AV designation are nonuniform chart distribution for ammeters and voltmeters. Uniform chart distribution for all other type G-40 or 44 recorders.

1st Column: Chart style number
2nd Column: Recorder type
3rd Column: Scale range (See Page 42 for A, V, W Code^①)
4th Column: Chart speed is inches per hour unless otherwise noted

1093 369 [Ⓢ]	G-40	300 AV	3	1337 108 [Ⓢ]	A	1600 A	7 da	1729 210	44	0-100 AVW	¾
1093 371 [Ⓢ]	G-40	600 AV	¾	1337 136	G-40	2500	3	1729 211	44	0-100 AVW	1½
1093 372 [Ⓢ]	G-40	600 AV	1½	1338 254	G-40	1000-0-4000 AVW	3	1729 212 [Ⓢ]	44	0-100 AVW	3
1093 373 [Ⓢ]	G-40	600 AV	3	1339 321	A	800 A	7 da	1729 213	44	0-100 AVW	6
1093 374	G-40	1200 AV	¾	1339 592	G-40	4000	3	1729 214	44	0-100 AVW	12
1093 376	G-40	1200 AV	3	1339 608	A	2000 A	7 da	1729 215	44	0-250 AVW	¾
1093 378 [Ⓢ]	G-40	3000 AV	¾	1339 609	A	1800-2800 V	7 da	1729 216	44	0-250 AVW	1½
1093 379 [Ⓢ]	G-40	3000 AV	1½	1341 509 [Ⓢ]	A	500 A	7 da	1729 217 [Ⓢ]	44	0-250 AVW	3
1093 380 [Ⓢ]	G-40	3000 AV	3	1341 596	G-40	5000	¾	1729 218	44	0-250 AVW	6
1093 386	G-40	15 AV	¾	1341 716	A	5400-8400 V	24 hr	1729 219	44	0-250 AVW	12
1093 387 [Ⓢ]	G-40	15 AV	1½	1342 354 [Ⓢ]	A	30 A	24 hr	1729 220	44	0-500 AVW	¾
1093 388 [Ⓢ]	G-40	15 AV	3	1342 655 [Ⓢ]	A	1000 A	7 da	1729 221	44	0-500 AVW	1½
1093 389	G-40	15 AV	6	1538 748	G-40	600	3	1729 222 [Ⓢ]	44	0-500 AVW	3
1093 390	G-40	75 AV	¾	1538 764	G-40	40	3	1729 223	44	0-500 AVW	6
1093 392 [Ⓢ]	G-40	75 AV	3	1543 706 [Ⓢ]	A	3150-4900 V	24 hr	1729 224	44	0-500 AVW	12
1093 394 [Ⓢ]	G-40	150 AV	¾	1723 002 [Ⓢ]	A	400 A	24 hr	1729 225 [Ⓢ]	44	0-1000 AVW	¾
1093 395 [Ⓢ]	G-40	150 AV	1½	1723 696	A	0-100%	24 hr	1729 226	44	0-1000 AVW	1½
1093 399	G-40	750 AV	3	1723 697 [Ⓢ]	A	0-100%	7 da	1729 227 [Ⓢ]	44	0-1000 AVW	3
1093 402	G-40	1500 AV	1½	1728 662	44	50-0-200 AVW	3	1729 228	44	0-1000 AVW	6
1093 403	G-40	1500 AV	3	1728 688	44	12-0-12 AVW	¾	1729 229 [Ⓢ]	44	0-1000 AVW	12
1095 768	A	5 A	7 da	1728 689 [Ⓢ]	44	12-0-12 AVW	1½	1729 230	44	0-2500 AVW	¾
1095 785 [Ⓢ]	A	90-140V	24 hr	1728 690	44	12-0-12 AVW	3	1729 231 [Ⓢ]	44	0-2500 AVW	1½
1095 826 [Ⓢ]	A	450-700 V	24 hr	1728 691	44	12-0-12 AVW	6	1729 232 [Ⓢ]	44	0-2500 AVW	3
1095 921 [Ⓢ]	A	20 A	24 hr	1728 692	44	12-0-12 AVW	12	1729 233	44	0-2500 AVW	6
1095 963	A	15 A	24 hr	1728 791	44	0-8 AV	¾	1729 234	44	0-2500 AVW	12
1096 076	A	600 A	24 hr	1728 792	44	0-8 AV	1½	1729 235 [Ⓢ]	44	0-5000 AVW	¾
1096 077 [Ⓢ]	A	1800-2800 V	24 hr	1728 793	44	0-8 AV	3	1729 236 [Ⓢ]	44	0-5000 AVW	1½
1098 196 [Ⓢ]	G-40	2-0-6 AVW	3	1728 794	44	0-8 AV	6	1729 237 [Ⓢ]	44	0-5000 AVW	3
1098 283	A	125 A	24 hr	1728 795	44	0-8 AV	12	1729 238	44	0-5000 AVW	6
1102 251 [Ⓢ]	A	200 A	24 hr	1728 796	44	0-8000 AV	¾	1729 239	44	0-5000 AVW	12
1155 255 [Ⓢ]	A	50 A	24 hr	1728 797	44	0-8000 AV	1½	1729 240	44	29-39	¾
1155 256 [Ⓢ]	A	25 A	24 hr	1728 798 [Ⓢ]	44	0-8000 AV	3	1729 241	44	29-39	1½
1157 973	A	2.5 A	7 da	1728 799	44	0-8000 AV	6	1729 242	44	29-39	3
1157 974 [Ⓢ]	A	5 A	7 da	1728 800	44	0-8000 AV	12	1729 243	44	29-39	6
1157 975 [Ⓢ]	A	10 A	7 da	1728 809	44	0-2.5 AVW	¾	1729 244	44	29-39	12
1157 976	A	100 A	7 da	1728 810	44	100-0-200 AVW	¾	1729 245	44	134-142	¾
1157 977 [Ⓢ]	A	90-140 V	7 da	1728 811	44	100-0-200 AVW	1½	1729 246	44	134-142	1½
1157 978 [Ⓢ]	A	180-280 V	7 da	1728 812	44	100-0-200 AVW	3	1729 247	44	134-142	3
1157 979 [Ⓢ]	A	2.5 A	24 hr	1728 813	44	100-0-200 AVW	6	1729 248	44	134-142	6
1157 980 [Ⓢ]	A	10 A	24 hr	1728 814	44	100-0-200 AVW	12	1729 249	44	134-142	12
1157 981 [Ⓢ]	A	180-280 V	24 hr	1728 815	44	150-0-50 AVW	¾	1729 250	44	5-0-20 AVW	¾
1201 146	G-40	90 AV	¾	1728 816	44	150-0-50 AVW	1½	1729 251	44	5-0-20 AVW	1½
1201 147	G-40	90 AV	1½	1728 817	44	150-0-50 AVW	3	1729 252	44	5-0-20 AVW	3
1201 148	G-40	90 AV	3	1728 818	44	150-0-50	6	1729 253	44	5-0-20 AVW	6
1202 202 [Ⓢ]	G-40	55-65	¾	1728 819	44	150-0-50	12	1729 254	44	5-0-20 AVW	12
1202 203	G-40	55-65	1½	1729 185 [Ⓢ]	44	0-1 AVW	¾	1729 255	44	1000-0-4000 AVW	¾
1202 204 [Ⓢ]	G-40	55-65	3	1729 186 [Ⓢ]	44	0-1 AVW	1½	1729 256	44	1000-0-4000 AVW	1½
1205 116	G-40	18 AV	¾	1729 187 [Ⓢ]	44	0-1 AVW	3	1729 257	44	1000-0-4000 AVW	3
1205 117	G-40	18 AV	1½	1729 188	44	0-1 AVW	6	1729 258	44	1000-0-4000 AVW	6
1205 118 [Ⓢ]	G-40	18 AV	3	1729 189	44	0-1 AVW	12	1729 259	44	1000-0-4000 AVW	12
1205 417	A	300 A	7 da	1729 190 [Ⓢ]	44	0-5 AVW	¾	1729 260	44	5-0-5 AVW	¾
1205 418	A	600 A	7 da	1729 191	44	0-5 AVW	1½	1729 261	44	5-0-5 AVW	1½
1206 249	G-40	50-100-50	¾	1729 192 [Ⓢ]	44	0-5 AVW	3	1729 262 [Ⓢ]	44	5-0-5 AVW	3
1206 250	G-40	50-100-50	1½	1729 193	44	0-5 AVW	6	1729 263	44	5-0-5 AVW	6
1206 251 [Ⓢ]	G-40	50-100-50	3	1729 194	44	0-5 AVW	12	1729 264	44	5-0-5 AVW	12
1208 259	G-40	150-300 AVW	1½	1729 195	44	0-10 AVW	¾	1729 265	44	25-0-25 AVW	¾
1208 402	G-40	2500	3	1729 196 [Ⓢ]	44	0-10 AVW	1½	1729 266 [Ⓢ]	44	25-0-25 AVW	1½
1209 560	G-40	58-62	3	1729 197 [Ⓢ]	44	0-10 AVW	3	1729 267 [Ⓢ]	44	25-0-25 AVW	3
1268 026	G-40	1000-0-3000 AVW	3	1729 198	44	0-10 AVW	6	1729 268	44	25-0-25 AVW	6
1268 628	G-40	20-0-60 AVW	3	1729 199	44	0-10 AVW	12	1729 269	44	25-0-25 AVW	12
1269 520 [Ⓢ]	G-40	5000	3	1729 200	44	0-25 AVW	¾	1729 270	44	50-0-50 AVW	¾
1269 894 [Ⓢ]	G-40	10-1-.80	3	1729 201 [Ⓢ]	44	0-25 AVW	1½	1729 271 [Ⓢ]	44	50-0-50 AVW	1½
1270 281 [Ⓢ]	A	300 A	24 hr	1729 202 [Ⓢ]	44	0-25 AVW	3	1729 272 [Ⓢ]	44	50-0-50 AVW	3
1270 977 [Ⓢ]	A	500 V	24 hr	1729 203	44	0-25 AVW	6	1729 273	44	50-0-50 AVW	6
1336 815	G-40	400	3	1729 204	44	0-25 AVW	12	1729 274	44	50-0-50 AVW	12
1337 035	A	200 A	7 da	1729 205	44	0-50 AVW	¾				
1337 036	A	400 A	7 da	1729 206 [Ⓢ]	44	0-50 AVW	1½				
1337 037	A	533-1/3 A	7 da	1729 207 [Ⓢ]	44	0-50 AVW	3				
1337 038	A	900 A	7 da	1729 208	44	0-50 AVW	6				
1337 039	A	1200 A	7 da	1729 209	44	0-50 AVW	12				

^① Styles with A, V, or AV designation are nonuniform chart distribution for ammeters and voltmeters. Uniform chart distribution for all other type G-40 or 44 recorders.



1st Column: Chart style number
2nd Column: Recorder type
3rd Column: Scale range (See Page 42 for A, V, W Code①)
4th Column: Chart speed in inches per hour unless otherwise noted

1729 275	44	125-0-125 AVW	¾	1729 345	44	0-600 AV	¾	1729 415	44	0-5000 AV	¾
1729 276	44	125-0-125 AVW	1½	1729 346	44	0-600 AV	1½	1729 416	44	0-5000 AV	1½
1729 277	44	125-0-125 AVW	3	1729 347	44	0-600 AV	3	1729 417	44	0-5000 AV	3
1729 278	44	125-0-125 AVW	6	1729 348	44	0-600 AV	6	1729 418	44	0-5000 AV	6
1729 279	44	125-0-125 AVW	12	1729 349	44	0-600 AV	12	1729 419	44	0-5000 AV	12
1729 280	44	250-0-250 AVW	¾	1729 350	44	0-1200 AV	¾	1729 420	44	0-9 AV	¾
1729 281	44	250-0-250 AVW	1½	1729 351	44	0-1200 AV	1½	1729 421	44	0-9 AV	1½
1729 282	44	250-0-250 AVW	3	1729 352	44	0-1200 AV	3	1729 422	44	0-9 AV	3
1729 283	44	250-0-250 AVW	6	1729 353	44	0-1200 AV	6	1729 423	44	0-9 AV	6
1729 284	44	250-0-250 AVW	12	1729 354	44	0-1200 AV	12	1729 424	44	0-9 AV	12
1729 285	44	500-0-500 AVW	¾	1729 355	44	0-3000 AV	¾	1729 425	44	0-90 AV	¾
1729 286	44	500-0-500 AVW	1½	1729 356	44	0-3000 AV	1½	1729 426	44	0-90 AV	1½
1729 287	44	500-0-500 AVW	3	1729 357	44	0-3000 AV	3	1729 427	44	0-90 AV	3
1729 288	44	500-0-500 AVW	6	1729 358	44	0-3000 AV	6	1729 428	44	0-90 AV	6
1729 289	44	500-0-500 AVW	12	1729 359	44	0-3000 AV	12	1729 429	44	0-90 AV	12
1729 290	44	2500-0-2500 AVW	¾	1729 360	44	0-1	¾	1729 430	44	0-18 AV	¾
1729 291	44	2500-0-2500 AVW	1½	1729 361	44	0-1	1½	1729 431	44	0-18 AV	1½
1729 292	44	2500-0-2500 AVW	3	1729 362	44	0-1	3	1729 432	44	0-18 AV	3
1729 293	44	2500-0-2500 AVW	6	1729 363	44	0-1	6	1729 433	44	0-18 AV	6
1729 294	44	2500-0-2500 AVW	12	1729 364	44	0-1	12	1729 434	44	0-18 AV	12
1729 295	44	5000-0-5000 AVW	¾	1729 365	44	0-2.5 AV	¾	1729 435	44	0-180 AV	¾
1729 296	44	5000-0-5000 AVW	1½	1729 366	44	0-2.5 AV	1½	1729 436	44	0-180 AV	1½
1729 297	44	5000-0-5000 AVW	3	1729 367	44	0-2.5 AV	3	1729 437	44	0-180 AV	3
1729 298	44	5000-0-5000 AVW	6	1729 368	44	0-2.5 AV	6	1729 438	44	0-180 AV	6
1729 299	44	5000-0-5000 AVW	12	1729 369	44	0-2.5 AV	12	1729 439	44	0-180 AV	12
1729 300	44	45-55	¾	1729 370	44	0-5 AV	¾	1729 440	44	0-16 AVW	¾
1729 301	44	45-55	1½	1729 371	44	0-5 AV	1½	1729 441	44	0-16 AVW	1½
1729 302	44	45-55	3	1729 372	44	0-5 AV	3	1729 442	44	0-16 AVW	3
1729 303	44	45-55	6	1729 373	44	0-5 AV	6	1729 443	44	0-16 AVW	6
1729 304	44	45-55	12	1729 374	44	0-5 AV	12	1729 444	44	0-16 AVW	12
1729 305	44	50-60	¾	1729 375	44	0-10 AV	¾	1729 445	44	0-32 AVW	¾
1729 306	44	50-60	1½	1729 376	44	0-10 AV	1½	1729 446	44	0-32 AVW	1½
1729 307	44	50-60	3	1729 377	44	0-10 AV	3	1729 447	44	0-32 AVW	3
1729 308	44	50-60	6	1729 378	44	0-10 AV	6	1729 448	44	0-32 AVW	6
1729 309	44	50-60	12	1729 379	44	0-10 AV	12	1729 449	44	0-32 AVW	12
1729 310	44	55-65	¾	1729 380	44	0-25 AV	¾	1729 450	44	0-64 AVW	¾
1729 311	44	55-65	1½	1729 381	44	0-25 AV	1½	1729 451	44	0-64 AVW	1½
1729 312	44	55-65	3	1729 382	44	0-25 AV	3	1729 452	44	0-64 AVW	3
1729 313	44	55-65	6	1729 383	44	0-25 AV	6	1729 453	44	0-64 AVW	6
1729 314	44	55-65	12	1729 384	44	0-25 AV	12	1729 454	44	0-64 AVW	12
1729 315	44	0-6 AV	¾	1729 385	44	0-50 AV	¾	1729 455	44	0-160 AVW	¾
1729 316	44	0-6 AV	1½	1729 386	44	0-50 AV	1½	1729 456	44	0-160 AVW	1½
1729 317	44	0-6 AV	3	1729 387	44	0-50 AV	3	1729 457	44	0-160 AVW	3
1729 318	44	0-6 AV	6	1729 388	44	0-50 AV	6	1729 458	44	0-160 AVW	6
1729 319	44	0-6 AV	12	1729 389	44	0-50 AV	12	1729 459	44	0-160 AVW	12
1729 320	44	0-12 AV	¾	1729 390	44	0-100 AV	¾	1729 460	44	0-320 AVW	¾
1729 321	44	0-12 AV	1½	1729 391	44	0-100 AV	1½	1729 461	44	0-320 AVW	1½
1729 322	44	0-12 AV	3	1729 392	44	0-100 AV	3	1729 462	44	0-320 AVW	3
1729 323	44	0-12 AV	6	1729 393	44	0-100 AV	6	1729 463	44	0-320 AVW	6
1729 324	44	0-12 AV	12	1729 394	44	0-100 AV	12	1729 464	44	0-320 AVW	12
1729 325	44	0-30 AV	¾	1729 395	44	0-250 AV	¾	1729 465	44	0-640 AVW	¾
1729 326	44	0-30 AV	1½	1729 396	44	0-250 AV	1½	1729 466	44	0-640 AVW	1½
1729 327	44	0-30 AV	3	1729 397	44	0-250 AV	3	1729 467	44	0-640 AVW	3
1729 328	44	0-30 AV	6	1729 398	44	0-250 AV	6	1729 468	44	0-640 AVW	6
1729 329	44	0-30 AV	12	1729 399	44	0-250 AV	12	1729 469	44	0-640 AVW	12
1729 330	44	0-60 AV	¾	1729 400	44	0-500 AV	¾	1729 470	44	0-1600 AVW	¾
1729 331	44	0-60 AV	1½	1729 401	44	0-500 AV	1½	1729 471	44	0-1600 AVW	1½
1729 332	44	0-60 AV	3	1729 402	44	0-500 AV	3	1729 472	44	0-1600 AVW	3
1729 333	44	0-60 AV	6	1729 403	44	0-500 AV	6	1729 473	44	0-1600 AVW	6
1729 334	44	0-60 AV	12	1729 404	44	0-500 AV	12	1729 474	44	0-1600 AVW	12
1729 335	44	0-120 AV	¾	1729 405	44	0-1000 AV	¾	1729 475	44	0-3200 AVW	¾
1729 336	44	0-120 AV	1½	1729 406	44	0-1000 AV	1½	1729 476	44	0-3200 AVW	1½
1729 337	44	0-120 AV	3	1729 407	44	0-1000 AV	3	1729 477	44	0-3200 AVW	3
1729 338	44	0-120 AV	6	1729 408	44	0-1000 AV	6	1729 478	44	0-3200 AVW	6
1729 339	44	0-120 AV	12	1729 409	44	0-1000 AV	12	1729 479	44	0-3200 AVW	12
1729 340	44	0-300 AV	¾	1729 410	44	0-2500 AV	¾				
1729 341	44	0-300 AV	1½	1729 411	44	0-2500 AV	1½				
1729 342	44	0-300 AV	3	1729 412	44	0-2500 AV	3				
1729 343	44	0-300 AV	6	1729 413	44	0-2500 AV	6				
1729 344	44	0-300 AV	12	1729 414	44	0-2500 AV	12				

① Styles with A, V, or AV designation are nonuniform chart distribution for ammeters and voltmeters. Uniform chart distribution for all other type G-40 or 44 recorders.

1st Column: Chart style number
2nd Column: Recorder type
3rd Column: Scale range (See Page 42 for A, V, W Code^①)
4th Column: Chart speed is inches per hour unless otherwise noted

1729 480	44	0-6400	¾	1729 550	44	150-0-150 AVW	¾	1729 620	44	0-200 AVW	¾
1729 481	44	0-6400	1½	1729 551	44	150-0-150 AVW	1½	1729 621	44	0-200 AVW	1½
1729 482	44	0-6400	3	1729 552 ^⑤	44	150-0-150 AVW	3	1729 622 ^⑤	44	0-200 AVW	3
1729 483	44	0-6400	6	1729 553	44	150-0-150 AVW	6	1729 623	44	0-200 AVW	6
1729 484	44	0-6400	12	1729 554	44	150-0-150 AVW	12	1729 624	44	0-200 AVW	12
1729 485	44	8-0-8 AVW	¾	1729 555	44	1500-0-1500 AVW	¾	1729 625 ^⑤	44	0-400 AVW	¾
1729 486	44	8-0-8 AVW	1½	1729 556	44	1500-0-1500 AVW	1½	1729 626	44	0-400 AVW	1½
1729 487	44	8-0-8 AVW	3	1729 557 ^⑤	44	1500-0-1500 AVW	3	1729 627 ^⑤	44	0-400 AVW	3
1729 488	44	8-0-8 AVW	6	1729 558	44	1500-0-1500 AVW	6	1729 628	44	0-400 AVW	6
1729 489	44	8-0-8 AVW	12	1729 559	44	1500-0-1500 AVW	12	1729 629	44	0-400 AVW	12
1729 490 ^⑤	44	80-0-80 AVW	¾	1729 560	44	0-7.5 AV	¾	1729 630 ^⑤	44	0-800 AVW	¾
1729 491	44	80-0-80 AVW	1½	1729 561	44	0-7.5 AV	1½	1729 631	44	0-800 AVW	1½
1729 492 ^⑤	44	80-0-80 AVW	3	1729 562	44	0-7.5 AV	3	1729 632 ^⑤	44	0-800 AVW	3
1729 493	44	80-0-80 AVW	6	1729 563	44	0-7.5 AV	6	1729 633	44	0-800 AVW	6
1729 494	44	80-0-80 AVW	12	1729 564	44	0-7.5 AV	12	1729 634	44	0-800 AVW	12
1729 495	44	800-0-800 AVW	¾	1729 565	44	0-15 AV	¾	1729 635	44	0-2000 AVW	¾
1729 496	44	800-0-800 AVW	1½	1729 566 ^⑤	44	0-15 AV	1½	1729 636 ^⑤	44	0-2000 AVW	1½
1729 497 ^⑤	44	800-0-800 AVW	3	1729 567 ^⑤	44	0-15 AV	3	1729 637 ^⑤	44	0-2000 AVW	3
1729 498 ^⑤	44	800-0-800 AVW	6	1729 568	44	0-15 AV	6	1729 638	44	0-2000 AVW	6
1729 499	44	800-0-800 AVW	12	1729 569	44	0-15 AV	12	1729 639	44	0-2000 AVW	12
1729 500	44	8000-0-8000 AVW	¾	1729 570	44	0-75 AV	¾	1729 640	44	0-4000 AVW	¾
1729 501	44	8000-0-8000 AVW	1½	1729 571	44	0-75 AV	1½	1729 641 ^⑤	44	0-4000 AVW	1½
1729 502 ^⑤	44	8000-0-8000 AVW	3	1729 572 ^⑤	44	0-75 AV	3	1729 642 ^⑤	44	0-4000 AVW	3
1729 503	44	8000-0-8000 AVW	6	1729 573	44	0-75 AV	6	1729 643	44	0-4000 AVW	6
1729 504	44	8000-0-8000 AVW	12	1729 574	44	0-75 AV	12	1729 644	44	0-4000 AVW	12
1729 505	44	2-0-14	¾	1729 575 ^⑤	44	0-150 AV	¾	1729 645 ^⑤	44	0-8000 AVW	¾
1729 506	44	2-0-14	1½	1729 576 ^⑤	44	0-150 AV	1½	1729 646	44	0-8000 AVW	1½
1729 507	44	2-0-14	3	1729 577 ^⑤	44	0-150 AV	3	1729 647 ^⑤	44	0-8000 AVW	3
1729 508	44	2-0-14	6	1729 578 ^⑤	44	0-150 AV	6	1729 648	44	0-8000 AVW	6
1729 509	44	2-0-14	12	1729 579 ^⑤	44	0-150 AV	12	1729 649	44	0-8000 AVW	12
1729 510	44	52-68	¾	1729 580	44	0-750 AV	¾	1729 650	44	1-0-1 AVW	¾
1729 511	44	52-68	1½	1729 581	44	0-750 AV	1½	1729 651	44	1-0-1 AVW	1½
1729 512	44	52-68	3	1729 582	44	0-750 AV	3	1729 652	44	1-0-1 AVW	3
1729 513	44	52-68	6	1729 583	44	0-750 AV	6	1729 653	44	1-0-1 AVW	6
1729 514	44	52-68	12	1729 584	44	0-750 AV	12	1729 654	44	1-0-1 AVW	12
1729 515	44	0-3 AVW	¾	1729 585	44	0-1500 AV	¾	1729 655	44	10-0-10 AVW	¾
1729 516	44	0-3 AVW	1½	1729 586	44	0-1500 AV	1½	1729 656 ^⑤	44	10-0-10 AVW	1½
1729 517	44	0-3 AVW	3	1729 587 ^⑤	44	0-1500 AV	3	1729 657 ^⑤	44	10-0-10 AVW	3
1729 518	44	0-3 AVW	6	1729 588	44	0-1500 AV	6	1729 658	44	10-0-10 AVW	6
1729 519	44	0-3 AVW	12	1729 589	44	0-1500 AV	12	1729 659	44	10-0-10 AVW	12
1729 520	44	0-30 AVW	¾	1729 590	44	0-2 AVW	¾	1729 660	44	20-0-20 AVW	¾
1729 521	44	0-30 AVW	1½	1729 591	44	0-2 AVW	1½	1729 661	44	20-0-20 AVW	1½
1729 522 ^⑤	44	0-30 AVW	3	1729 592	44	0-2 AVW	3	1729 662 ^⑤	44	20-0-20 AVW	3
1729 523	44	0-30 AVW	6	1729 593	44	0-2 AVW	6	1729 663	44	20-0-20 AVW	6
1729 524	44	0-30 AVW	12	1729 594	44	0-2 AVW	12	1729 664	44	20-0-20 AVW	12
1729 525	44	0-300 AVW	¾	1729 595	44	0-4 AVW	¾	1729 665	44	40-0-40 AVW	¾
1729 526	44	0-300 AVW	1½	1729 596	44	0-4 AVW	1½	1729 666 ^⑤	44	40-0-40 AVW	1½
1729 527 ^⑤	44	0-300 AVW	3	1729 597 ^⑤	44	0-4 AVW	3	1729 667	44	40-0-40 AVW	3
1729 528	44	0-300 AVW	6	1729 598	44	0-4 AVW	6	1729 668	44	40-0-40 AVW	6
1729 529	44	0-300 AVW	12	1729 599	44	0-4 AVW	12	1729 669	44	40-0-40 AVW	12
1729 530	44	0-600 AVW	¾	1729 600	44	0-8 AVW	¾	1729 670	44	100-0-100 AVW	¾
1729 531	44	0-600 AVW	1½	1729 601	44	0-8 AVW	1½	1729 671 ^⑤	44	100-0-100 AVW	1½
1729 532	44	0-600 AVW	3	1729 602 ^⑤	44	0-8 AVW	3	1729 672 ^⑤	44	100-0-100 AVW	3
1729 533	44	0-600 AVW	6	1729 603	44	0-8 AVW	6	1729 673	44	100-0-100 AVW	6
1729 534	44	0-600 AVW	12	1729 604	44	0-8 AVW	12	1729 674	44	100-0-100 AVW	12
1729 535 ^⑤	44	0-3000 AVW	¾	1729 605 ^⑤	44	0-20 AVW	¾	1729 675	44	200-0-200 AVW	¾
1729 536	44	0-3000 AVW	1½	1729 606	44	0-20 AVW	1½	1729 676 ^⑤	44	200-0-200 AVW	1½
1729 537 ^⑤	44	0-3000 AVW	3	1729 607 ^⑤	44	0-20 AVW	3	1729 677 ^⑤	44	200-0-200 AVW	3
1729 538	44	0-3000 AVW	6	1729 608	44	0-20 AVW	6	1729 678	44	200-0-200 AVW	6
1729 539	44	0-3000 AVW	12	1729 609	44	0-20 AVW	12	1729 679	44	200-0-200 AVW	12
1729 540	44	1.5-0-1.5 AVW	¾	1729 610	44	0-40 AVW	¾	1729 680	44	400-0-400 AVW	¾
1729 541	44	1.5-0-1.5 AVW	1½	1729 611 ^⑤	44	0-40 AVW	1½	1729 681	44	400-0-400 AVW	1½
1729 542	44	1.5-0-1.5 AVW	3	1729 612 ^⑤	44	0-40 AVW	3	1729 682 ^⑤	44	400-0-400 AVW	3
1729 543	44	1.5-0-1.5 AVW	6	1729 613	44	0-40 AVW	6	1729 683	44	400-0-400 AVW	6
1729 544	44	1.5-0-1.5 AVW	12	1729 614	44	0-40 AVW	12	1729 684	44	400-0-400 AVW	12
1729 545 ^⑤	44	15-0-15 AVW	¾	1729 615	44	0-80 AVW	¾				
1729 546 ^⑤	44	15-0-15 AVW	1½	1729 616	44	0-80 AVW	1½				
1729 547 ^⑤	44	15-0-15 AVW	3	1729 617	44	0-80 AVW	3				
1729 548	44	15-0-15 AVW	6	1729 618	44	0-80 AVW	6				
1729 549	44	15-0-15 AVW	12	1729 619	44	0-80 AVW	12				

^① Styles with A, V, or AV designation are nonuniform chart distribution for ammeters and voltmeters. Uniform chart distribution for all other type G-40 or 44 recorders.



1st Column: Chart style number
2nd Column: Recorder type
3rd Column: Scale range (See Page 42 for A, V, W CodeⓁ)
4th Column: Chart speed is inches per hour unless otherwise noted

1729 685Ⓛ	44	1000-0-1000 AVW	¾	1729 760	44	0-1500 AVW	¾	1729 830	44	60-0-60 AVW	¾
1729 686	44	1000-0-1000 AVW	1½	1729 761Ⓛ	44	0-1500 AVW	1½	1729 831Ⓛ	44	60-0-60 AVW	1½
1729 687Ⓛ	44	1000-0-1000 AVW	3	1729 762Ⓛ	44	0-1500 AVW	3	1729 832Ⓛ	44	60-0-60 AVW	3
1729 688	44	1000-0-1000 AVW	6	1729 763	44	0-1500 AVW	6	1729 833Ⓛ	44	60-0-60 AVW	6
1729 689	44	1000-0-1000 AVW	12	1729 764Ⓛ	44	0-1500 AVW	12	1729 834	44	60-0-60 AVW	12
1729 690	44	2000-0-2000 AVW	¾	1729 765Ⓛ	44	0-7500 AVW	¾	1729 835	44	300-0-300 AVW	¾
1729 691	44	2000-0-2000 AVW	1½	1729 766	44	0-7500 AVW	1½	1729 836Ⓛ	44	300-0-300 AVW	1½
1729 692Ⓛ	44	2000-0-2000 AVW	3	1729 767Ⓛ	44	0-7500 AVW	3	1729 837Ⓛ	44	300-0-300 AVW	3
1729 693	44	2000-0-2000 AVW	6	1729 768	44	0-7500 AVW	6	1729 838	44	300-0-300 AVW	6
1729 694	44	2000-0-2000 AVW	12	1729 769	44	0-7500 AVW	12	1729 839	44	300-0-300 AVW	12
1729 695	44	4000-0-4000 AVW	¾	1729 770	44	15-30	¾	1729 840	44	600-0-600 AVW	¾
1729 696	44	4000-0-4000 AVW	1½	1729 771	44	15-30	1½	1729 841	44	600-0-600 AVW	1½
1729 697	44	4000-0-4000 AVW	3	1729 772	44	15-30	3	1729 842	44	600-0-600 AVW	3
1729 698	44	4000-0-4000 AVW	6	1729 773	44	15-30	6	1729 843	44	600-0-600 AVW	6
1729 699	44	4000-0-4000 AVW	12	1729 774	44	15-30	12	1729 844	44	600-0-600 AVW	12
1729 700	44	59-61 AVW	¾	1729 775	44	150-300	¾	1729 845Ⓛ	44	3000-0-3000 AVW	¾
1729 701	44	59-61 AVW	1½	1729 776	44	150-300	1½	1729 846	44	3000-0-3000 AVW	1½
1729 702	44	59-61 AVW	3	1729 777	44	150-300	3	1729 847Ⓛ	44	3000-0-3000 AVW	3
1729 703	44	59-61 AVW	6	1729 778	44	150-300	6	1729 848	44	3000-0-3000 AVW	6
1729 704	44	59-61 AVW	12	1729 779	44	150-300	12	1729 849	44	3000-0-3000 AVW	12
1729 705	44	2-0-6 AVW	¾	1729 780	44	0-6 AVW	¾	1729 850	44	6000-0-6000 AVW	¾
1729 706	44	2-0-6 AVW	1½	1729 781	44	0-6 AVW	1½	1729 851Ⓛ	44	6000-0-6000 AVW	1½
1729 707	44	2-0-6 AVW	3	1729 782	44	0-6 AVW	3	1729 852Ⓛ	44	6000-0-6000 AVW	3
1729 708	44	2-0-6 AVW	6	1729 783	44	0-6 AVW	6	1729 853	44	6000-0-6000 AVW	6
1729 709	44	2-0-6 AVW	12	1729 784	44	0-6 AVW	12	1729 854	44	6000-0-6000 AVW	12
1729 710	44	20-0-60 AVW	¾	1729 785	44	0-12 AVW	¾	1729 855	44	0-20 AVW	¾
1729 711	44	20-0-60 AVW	1½	1729 786Ⓛ	44	0-12 AVW	1½	1729 856	44	1-0-5 AVW	1½
1729 712	44	20-0-60 AVW	3	1729 787Ⓛ	44	0-12 AVW	3	1729 857	44	1-0-5 AVW	3
1729 713	44	20-0-60 AVW	6	1729 788	44	0-12 AVW	6	1729 858	44	1-0-5 AVW	6
1729 714	44	20-0-60 AVW	12	1729 789	44	0-12 AVW	12	1729 859	44	1-0-5 AVW	12
1729 715	44	1000-0-3000 AVW	¾	1729 790	44	0-60 AVW	¾	1729 860	44	2-0-10 AVW	¾
1729 716	44	1000-0-3000 AVW	1½	1729 791	44	0-60 AVW	1½	1729 861	44	2-0-10 AVW	1½
1729 717	44	1000-0-3000 AVW	3	1729 792Ⓛ	44	0-60 AVW	3	1729 862Ⓛ	44	2-0-10 AVW	3
1729 718	44	1000-0-3000 AVW	6	1729 793	44	0-60 AVW	6	1729 863	44	2-0-10 AVW	6
1729 719	44	1000-0-3000 AVW	12	1729 794	44	0-60 AVW	12	1729 864	44	2-0-10 AVW	12
1729 720	44	50-70 AVW	¾	1729 795	44	0-120 AVW	¾	1729 865	44	0-20 AVW	¾
1729 721	44	50-70 AVW	1½	1729 796	44	0-120 AVW	1½	1729 866	44	0-20 AVW	1½
1729 722	44	50-70 AVW	3	1729 797Ⓛ	44	0-120 AVW	3	1729 867Ⓛ	44	0-20 AVW	3
1729 723	44	50-70 AVW	6	1729 798	44	0-120 AVW	6	1729 868	44	0-20 AVW	6
1729 724	44	50-70 AVW	12	1729 799	44	0-120 AVW	12	1729 869	44	0-20 AVW	12
1729 725	44	58-62 AVW	¾	1729 800Ⓛ	44	0-600 AVW	¾	1729 870	44	0-40 AV	¾
1729 726	44	58-62 AVW	1½	1729 801	44	0-600 AVW	1½	1729 871	44	0-40 AV	1½
1729 727Ⓛ	44	58-62 AVW	3	1729 802Ⓛ	44	0-600 AVW	3	1729 872Ⓛ	44	0-40 AV	3
1729 728	44	58-62 AVW	6	1729 803	44	0-600 AVW	6	1729 873	44	0-40 AV	6
1729 729	44	58-62 AVW	12	1729 804	44	0-600 AVW	12	1729 874	44	0-40 AV	12
1729 735	44	0-7.5 AVW	¾	1729 805Ⓛ	44	0-1200 AVW	¾	1729 875	44	0-80 AV	¾
1729 736	44	0-7.5 AVW	1½	1729 806	44	0-1200 AVW	1½	1729 876	44	0-80 AV	1½
1729 737Ⓛ	44	0-7.5 AVW	3	1729 807Ⓛ	44	0-1200 AVW	3	1729 877	44	0-80 AV	3
1729 738	44	0-7.5 AVW	6	1729 808	44	0-1200 AVW	6	1729 878	44	0-80 AV	6
1729 739	44	0-7.5 AVW	12	1729 809	44	0-1200 AVW	12	1729 879	44	0-80 AV	12
1729 740Ⓛ	44	0-15 AVW	¾	1729 810	44	0-6000 AVW	¾	1729 880	44	0-200 AVW	¾
1729 741Ⓛ	44	0-15 AVW	1½	1729 811	44	0-6000 AVW	1½	1729 881	44	0-200 AVW	1½
1729 742Ⓛ	44	0-15 AVW	3	1729 812Ⓛ	44	0-6000 AVW	3	1729 882Ⓛ	44	0-200 AVW	3
1729 743	44	0-15 AVW	6	1729 813	44	0-6000 AVW	6	1729 883	44	0-200 AVW	6
1729 744	44	0-15 AVW	12	1729 814	44	0-6000 AVW	12	1729 884	44	0-200 AVW	12
1729 745	44	0-75 AVW	¾	1729 815	44	600-660	¾	1729 885Ⓛ	44	0-400 AV	¾
1729 746	44	0-75 AVW	1½	1729 816	44	600-660	1½	1729 886Ⓛ	44	0-400 AV	1½
1729 747Ⓛ	44	0-75 AVW	3	1729 817	44	600-660	3	1729 887Ⓛ	44	0-400 AV	3
1729 748	44	0-75 AVW	6	1729 818	44	600-660	6	1729 888	44	0-400 AV	6
1729 749Ⓛ	44	0-75 AVW	12	1729 819	44	600-660	12	1729 889	44	0-400 AV	12
1729 750	44	0-150 AVW	¾	1729 820	44	900-960	¾	1729 890	44	0-800 AV	¾
1729 751Ⓛ	44	0-150 AVW	1½	1729 821	44	900-960	1½	1729 891	44	0-800 AV	1½
1729 752Ⓛ	44	0-150 AVW	3	1729 822	44	900-960	3	1729 892Ⓛ	44	0-800 AV	3
1729 753	44	0-150 AVW	6	1729 823	44	900-960	6	1729 893	44	0-800 AV	6
1729 754	44	0-150 AVW	12	1729 824	44	900-960	12	1729 894	44	0-800 AV	12
1729 755	44	0-750 AVW	¾	1729 825	44	30-0-30 AVW	¾				
1729 756	44	0-750 AVW	1½	1729 826Ⓛ	44	30-0-30 AVW	1½				
1729 757Ⓛ	44	0-750 AVW	3	1729 827Ⓛ	44	30-0-30 AVW	3				
1729 758	44	0-750 AVW	6	1729 828	44	30-0-30 AVW	6				
1729 759	44	0-750 AVW	12	1729 829	44	30-0-30 AVW	12				

Ⓛ Styles with A, V, or AV designation are nonuniform chart distribution for ammeters and voltmeters. Uniform chart distribution for all other type G-40 or 44 recorders.



1st Column: Chart style number
2nd Column: Recorder type
3rd Column: Scale range (See Page 42 for A, V, W Code[Ⓛ])
4th Column: Chart speed is inches per hour unless otherwise noted

1729 895	44	0-2000 AV	¾	542D768H13 [Ⓢ]	45	0-200 A	24 hr
1729 896	44	0-2000 AV	1½	542D768H14 [Ⓢ]	45	0-400 A	24 hr
1729 897 [Ⓢ]	44	0-2000 AV	3	542D768H15 [Ⓢ]	45	0-600 A	24 hr
1729 898	44	0-2000 AV	6	542D768H16 [Ⓢ]	45	0-800 A	24 hr
1729 899	44	0-2000 AV	12	542D768H17 [Ⓢ]	45	0-150 A	24 hr
1729 900	44	0-4000 AV	¾	542D768H18	45	0-3000 A	24 hr
1729 901	44	0-4000 AV	1½	542D768H19	45	200-300V	24 hr
1729 902 [Ⓢ]	44	0-4000 AV	3	542D768H20	45	0-300 A	24 hr
1729 903	44	0-4000 AV	6	542D768H21	45	0-30 A	24 hr
1729 904	44	0-4000 AV	12	542D768H22	45	0-2000 A	24 hr
1730 227 [Ⓢ]	44	0-5000	3	542D768H23	45	210-310 V	24 hr
		0-100		542D768H24	45	0-75 A	24 hr
1730 228	44	0-2500	3	542D768H25	45	0-150 V	24 hr
		0-100		542D768H27	45	420-620 V	7 da
1730 257	44	40-0-40	3	542D771H02 [Ⓢ]	45	0-5 A	7 da
		80-0-80					
1731 395	G-40	0-2500	3	542D771H03 [Ⓢ]	45	90-140 V	7 da
		0-100		542D771H04 [Ⓢ]	45	180-280 V	7 da
1731 396 [Ⓢ]	G-40	0-5000	3	542D771H05 [Ⓢ]	45	360-560 V	7 da
		0-100		542D771H06 [Ⓢ]	45	450-700 V	7 da
				542D771H07 [Ⓢ]	45	1800-2800 V	7 da
1732 488 [Ⓢ]	A	0-150 A	24 hr				
1957 010	44	45-65	¾	542D771H08	45	0-2.5 A	7 da
1957 011	44	45-65	1½	542D771H09 [Ⓢ]	45	0-10 A	7 da
1957 012	44	45-65	3	542D771H10 [Ⓢ]	45	0-20 A	7 da
1957 013	44	45-65	6	542D771H11	45	0-50 A	7 da
				542D771H12 [Ⓢ]	45	0-100 A	7 da
1957 014	44	45-65	12				
1957 902	44	380-420	¾	542D771H13 [Ⓢ]	45	0-200 A	7 da
1957 903	44	380-420	1½	542D771H14 [Ⓢ]	45	0-400 A	7 da
1957 904	44	380-420	3	542D771H15 [Ⓢ]	45	0-600 A	7 da
1957 905	44	380-420	6	542D771H16 [Ⓢ]	45	0-800 A	7 da
				542D771H17 [Ⓢ]	45	0-150 A	7 da
1957 906	44	380-420	12				
1958 035	44	0-5000	1½	542D771H18	45	0-1200 A	7 da
1958 087	44	50-0-150 AWW	3	542D771H19	45	0-2000 A	7 da
1958 150	44	300-0-500 AWW	3	542D771H20	45	0-150 V	7 da
1A6745H03	44	5 AWW	6 hr	542D771H21	45	200-300 V	7 da
				542D771H22	45	210-310 V	7 da
341P241H01	44	40-0-60	3				
457A548H76	44	800-0-800	9	542D774H23	45	0-5000 V	7 da
542D704H01 [Ⓢ]	44	0-10	3	542D774H24	45	420-620 V	7 da
542D704H02	44	0-25	3	542D771H25	45	0-300 A	7 da
542D768H02 [Ⓢ]	45	90-140 V	24 hr	542D774H02 [Ⓢ]	45	0-5 A	3 da
				542D774H03 [Ⓢ]	45	90-140 V	3 da
542D768H03 [Ⓢ]	45	0-5 A	24 hr				
542D768H04 [Ⓢ]	45	180-280 V	24 hr	542D774H04	45	0-5 A	6 hr
542D768H05 [Ⓢ]	45	360-560 V	24 hr	542D774H05	45	180-280 V	3 da
542D768H06	45	450-700 V	24 hr	5099D72H01	45	90-140 V	8 hr
542D768H07 [Ⓢ]	45	1800-2800 V	24 hr				
542D768H08 [Ⓢ]	45	0-2.5 A	24 hr				
542D768H09 [Ⓢ]	45	0-10 A	24 hr				
542D768H10 [Ⓢ]	45	0-20 A	24 hr				
542D768H11 [Ⓢ]	45	0-50 A	24 hr				
542D768H12 [Ⓢ]	45	0-100 A	24 hr				

See following supplement page dated 4/15/75

Ⓛ Styles with A, V, or AV designation are nonuniform chart distribution for ammeters and voltmeters. Uniform chart distribution for all other type G-40 or 44 recorders.