

Transformer Open Air Breather

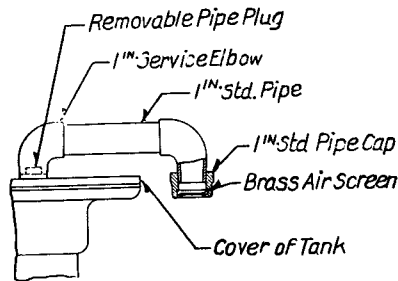


FIG. 1—FOR MOUNTING ON MAIN COVER, MAN-HOLE OR HANDHOLE COVERS

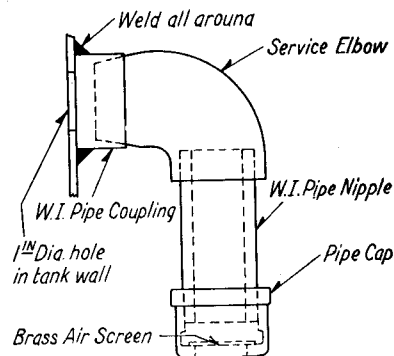


FIG. 2—FOR MOUNTING ON TANK WALL

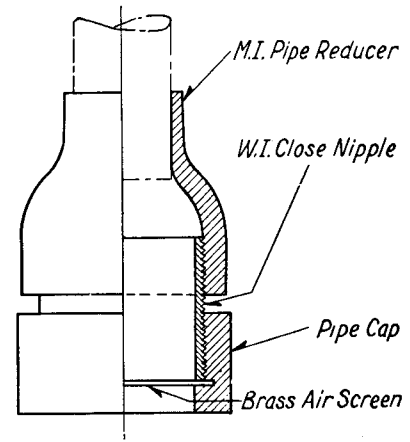


FIG. 3—FOR SPECIAL MOUNTINGS AND ATTACHING TO STANDARD PIPE

GENERAL

Open Air Breathers are used where it is necessary to provide, for free breathing to the inside of transformer tanks and for venting gases generated in tap changer compartments of regulators where taps are changed under load. The device consists of pipe fittings and a fine screen at the vent end to exclude insects or foreign matter. After installing the breather, it is only necessary to occasionally clean the strainer.

CONSTRUCTION AND OPERATION

The breather is assembled in several different arrangements to fit the particu-

lar application. See Figs. 1, 2 and 3. The fittings have standard pipe threads and the brass air screen is held in place by a pipe cap with the end drilled out. The cap can be removed for access to the screen for cleaning.

SHIPMENT

The breather is shipped as a "Detail" and its mounting hole in tank cover or tank wall is plugged with a removable pipe plug.

INSTALLATION

Remove pipe plug and screw service elbow of breather into place on the cover or tank wall as shown and then

complete the assembly. The brass air screen should be at the bottom.

INSPECTION AND MAINTENANCE

At reasonable periods of time the pipe cap holding the brass screen should be removed and the screen thoroughly cleaned and replaced.

RENEWAL PARTS

If renewal parts are required, order from the nearest Westinghouse Electric and Manufacturing Co. giving description of part wanted with stock order and serial number as stamped on the name plate on transformer tank.

Westinghouse Electric & Manufacturing Company

Sharon, Pa.