

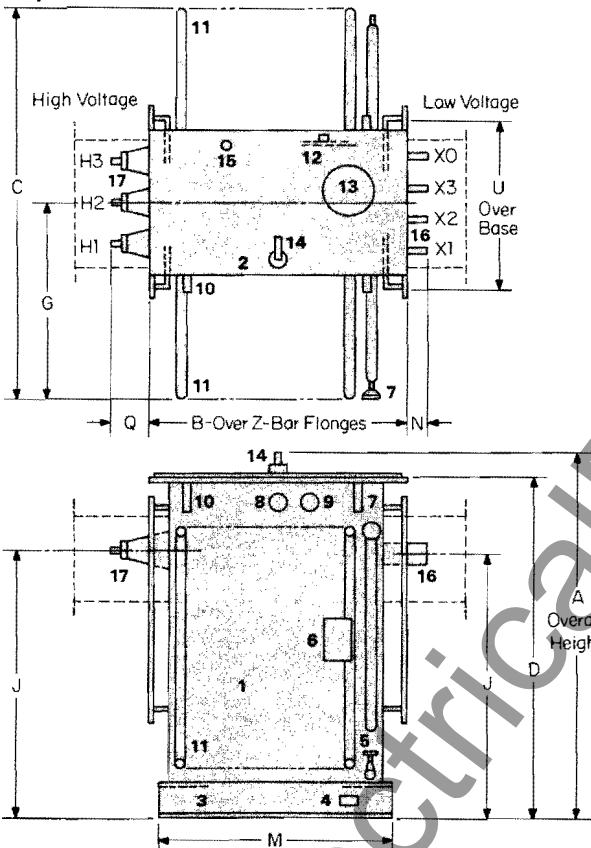


August, 1975
 New Information and Supersedes
 T.C.S. 47-376, pages 1-2, dated
 June 1971, E, D/2082/DB

Oil or Inerteen®
 Standardized, 150-2500 Kva
 Three Phase, 60 Hertz

Power Centers

Liquid Filled Power Center Transformers



Description: Numbers correspond to those on the drawing.

1. Tank
2. Cover – welded to tank
3. Base – jacking area at ends
4. Ground pad – 1 total
5. Drain valve – 1 inch valve for combination lower filter press connection, complete drain and provision for sampling
6. Diagram instruction plate
7. Dial type thermometer with alarm contacts when required
8. Magnetic liquid gauge with alarm contacts when required
9. Vacuum pressure gauge
10. Lifting hooks
11. Cooling tubes
12. Air test valve
13. 6½ inch dia. handhole – welded on cover or automatic reset mechanical relief device with alarm contacts
14. Tap changer operating mechanism with provision for padlocking
15. 1 inch upper filter & filling plug connection
16. L.V. bushing assembly (Wall mounted)
17. H.V. bushings – 3 total (Wall Mounted)

General Information

The dimensions and weights in the following tables are for use with T. C. S. 47-159, page 1 for standard ratings as defined by standard electrical, mechanical, tests and accessories in Price List 47-150, pages 2 and 3, dated April 10, 1975. For specials, refer to South Boston Plant.

These Power Center Transformers are three phase, 60 Hertz, 65°C or 55°C rise, (see tables) indoor or outdoor with aluminum, rectangular sheet windings and 30°C average ambient with 40°C max. rise over 24 hours.

Standard Low Voltage Right

Outline as shown is for standard Z-Bar/Z-Bar flanges. When high voltage bus throat is required, add 9 inches to B dimension. When LV bus throat is required, add 8½ inches to B dimension.

Dotted line indicates approximate location of Bus Throats if required.

Specification

Kva _____ H.V. _____ L.V. _____
 Liquid: Oil Inerteen, Rise _____ °C, Aluminum Windings,
 L.V. Right (Std.), L.V. Left, Total Transformer Weight _____

Dimensions

A	B	C	D	G	J	M	Q	N	U

Customer _____ Address _____ G.O. _____
 P.O. Number _____ Item _____ Line No. _____
 Job _____

Certification by South Boston only, _____ Date _____ Construction or Installation
 Approval
 Reference
 Other



Dimensions in Inches (Approximate)
60 Hertz, Standard BIL, Standard Sound Level, Standard Impedance, Standard Losses, Standard Bushing Height, Aluminum Coils, Standard Taps $\pm 2-2\frac{1}{2}\%$, Delta High Voltage Connection.

300 Kva, 55°C

High Voltage Ratings	Low Voltage Ratings	Dimensions					Transformer Total Weight in Lbs.		Fluid Gals.
		B ^①	C ^②	G ^②	M ^①	U ^②	Inerteen	Oil	
4160	208Y	26.50	83.25	23.25	22.25	43.00	3790	3290	123
4160	480Y	28.00	80.25	22.75	23.75	42.00	3940	3430	125
4160	480Δ	28.00	70.75	23.00	23.75	42.50	3855	3355	123
7200	208Y	28.50	85.25	23.25	24.25	43.00	3880	3360	127
7200	480Y	29.50	74.25	23.75	25.25	44.00	4015	3445	137
7200	480Δ	29.50	79.75	24.00	25.25	44.50	4310	3725	145
12470	208Y	28.50	84.75	23.00	24.25	42.50	3865	3355	125
12470	480Y	29.50	70.25	23.75	25.25	44.00	4085	3530	139
12470	480Δ	29.00	72.75	24.00	24.75	44.50	4205	3610	144
13800	208Y	29.00	82.25	22.75	24.75	42.00	3940	3400	131
13800	480Y	29.50	67.25	24.25	25.25	45.00	4330	3745	145
13800	480Δ	29.00	73.75	23.50	24.75	43.50	4150	3595	139

300 Kva, 65°C

High Voltage Ratings	Low Voltage Ratings	Dimensions					Transformer Total Weight in Lbs.		Fluid Gals.
		B ^①	C ^②	G ^②	M ^①	U ^②	Inerteen	Oil	
4160	208Y	26.00	71.25	23.25	21.75	43.00	3535	3065	117
4160	480Y	27.00	67.25	23.25	22.75	43.00	3685	3205	116
4160	480Δ	27.50	62.25	22.75	23.25	42.00	3690	3200	115
7200	208Y	27.50	70.25	22.75	23.25	42.00	3650	3155	117
7200	480Y	29.00	70.25	22.75	24.75	42.00	3760	3250	122
7200	480Δ	28.50	68.75	23.00	24.25	42.50	3860	3350	126
12470	208Y	27.50	76.25	22.75	23.25	42.00	3700	3210	121
12470	480Y	28.50	66.75	23.00	24.25	42.50	3870	3360	125
12470	480Δ	29.50	64.75	23.00	25.25	42.50	3975	3450	130
13800	208Y	27.50	68.75	23.00	23.25	42.50	3735	3245	121
13800	480Y	29.00	55.25	23.25	24.75	43.00	3955	3420	132
13800	480Δ	28.50	64.75	23.00	24.25	42.50	3810	3280	129

Fixed Dimensions

A	D	J	N	Q
79.06	74.00	55.00	8.32	8.32

- ① B and M Dimension ± 1.00 inch
- ② C, G, U Dimensions + 2.00 inches

Dimensions shown for Indoor or Outdoor Oil Transformers. For Inerteen add 1.75 inches to "A" dimension.



August, 1975
Supersedes TCS 47-376, pages 5 and 6,
dated June, 1971
E, D/2082/DB

Oil or Inerteen
Standardized, 150-2500 Kva
Three Phase, 60 Hertz

Power Centers

Dimensions in Inches (Approximate)
60 Hertz, Standard BIL, Standard Sound Level, Standard Impedance, Standard Losses, Standard Bushing Height,
Aluminum Coils, Standard Taps $\pm 2-2\frac{1}{2}\%$, Delta High Voltage Connection

500 Kva, 65°C

High Voltage Ratings	Low Voltage Ratings	Dimensions					Transformer Total Weight in Lbs.		Fluid Gals.
		B ^①	C ^②	G ^②	M ^①	U ^②	Inerteen	Oil	
2400	480Δ	44.50	51.25	24.62	40.25	32.25	5290	4620	167
2400	480Y	44.50	55.25	26.62	40.25	32.25	5160	4465	174
2400	240Δ	44.50	55.25	26.62	40.25	32.25	5175	4480	174
2400	208Y	44.50	59.25	28.62	40.25	32.25	5105	4420	170
4160	480Δ	45.50	57.25	28.62	40.25	32.25	5240	4580	165
4160	480Y	44.50	51.25	24.62	40.25	32.25	5100	4430	168
4160	240Δ	44.50	55.25	26.62	40.25	32.25	4865	4230	159
4160	208Y	44.50	59.25	28.62	40.25	32.25	4960	4300	166
4800	480Δ	44.50	57.25	28.62	40.25	32.25	5260	4600	165
4800	480Y	44.50	55.25	26.62	40.25	32.25	5155	4485	168
4800	240Δ	44.50	51.25	24.62	40.25	32.25	5010	4350	166
4800	208Y	44.50	57.25	28.62	40.25	32.25	4980	4305	169
6900	480Δ	45.00	57.50	28.75	40.75	32.50	5235	4560	169
6900	480Y	45.00	59.25	28.62	40.75	32.25	5005	4345	166
6900	240Δ	45.00	59.25	28.62	40.75	32.25	5125	4435	173
6900	208Y	45.00	61.25	30.62	40.75	32.50	5170	4485	172
7200	480Δ	45.00	58.00	29.00	40.75	33.00	5270	4595	169
7200	480Y	45.00	59.25	28.62	40.75	32.25	5015	4360	164
7200	240Δ	45.00	57.25	28.75	40.75	32.25	5060	4380	170
7200	208Y	45.00	61.25	30.62	40.75	32.25	4980	4320	166
12000	480Δ	45.00	55.50	26.75	40.75	32.50	5405	4705	176
12000	480Y	45.00	57.25	28.62	40.75	32.25	5060	4385	169
12000	240Δ	45.00	57.25	28.62	40.75	32.25	5135	4455	171
12000	208Y	45.00	63.25	30.62	40.75	32.25	5035	4375	165
12470	480Δ	45.00	52.25	24.62	40.75	32.25	5415	4715	175
12470	480Y	45.00	57.25	28.62	40.75	32.25	5160	4480	170
12470	240Δ	45.00	53.25	24.62	40.75	32.25	5035	4370	167
12470	208Y	45.00	61.25	30.62	40.75	32.25	5155	4475	171
13200	480Δ	45.00	54.25	27.12	40.75	33.25	5460	4765	174
13200	480Y	45.00	55.25	26.62	40.75	32.25	5085	4420	167
13200	240Δ	45.00	57.25	28.62	40.75	32.25	5130	4450	171
13200	208Y	45.00	63.25	30.62	40.75	32.25	5275	4555	181
13800	480Δ	45.00	54.25	26.62	40.75	33.25	5350	4660	173
13800	480Y	45.00	57.25	28.62	40.75	32.25	5160	4490	170
13800	240Δ	45.00	57.25	28.62	40.75	32.25	5250	4555	174
13800	208Y	45.00	59.25	28.62	40.75	32.25	5150	4475	169

Fixed Dimensions

A	D	J	N	Q
84.06	79.00	55.00	2.94	8.32

Dimensions shown for Indoor or Outdoor Oil Transformers. For Inerteen add 1.75 inches to "A" dimension.

① B and M Dimension ± 1.00 inch
② C, G, U Dimensions ± 2.00 inches



Dimensions in Inches (Approximate)
 60 Hertz, Standard BIL, Standard Sound Level, Standard Impedance, Standard Losses, Standard Bushing Height,
 Aluminum Coils, Standard Taps $\pm 2-2\frac{1}{2}\%$, Delta High Voltage Connection.

500 Kva, 55°C

High Voltage Ratings	Low Voltage Ratings	Dimensions					Transformer Total Weight in Lbs.		Fluid Gals.
		B ^①	C ^②	G ^②	M ^①	U ^②	Inerteen	Oil	
2400	480Δ	44.50	63.25	30.62	40.25	32.25	5475	4790	172
2400	480Y	44.50	61.25	30.62	40.25	32.25	5505	4770	184
2400	240Δ	44.50	63.25	30.62	40.25	32.25	5360	4660	176
2400	208Y	44.50	69.25	34.62	40.25	32.25	5440	4720	181
4160	480Δ	44.50	63.25	30.62	40.25	32.25	5400	4728	168
4160	480Y	44.50	65.25	32.62	40.25	32.25	5280	4584	174
4160	240Δ	44.50	61.25	30.62	40.25	32.25	5405	4715	173
4160	208Y	44.50	71.25	34.62	40.25	32.25	5180	4495	172
4800	480Δ	44.50	61.25	30.62	40.25	32.25	5465	4790	169
4800	480Y	44.50	65.25	32.62	40.25	32.25	5395	4700	174
4800	240Δ	44.50	65.25	32.62	40.25	32.25	5165	4480	172
4800	208Y	44.50	71.25	34.62	40.25	32.25	5215	4535	171
6900	480Δ	45.00	65.25	32.62	40.75	32.25	5675	4965	178
6900	480Y	45.00	67.25	32.62	40.75	32.25	5430	4730	175
6900	240Δ	45.00	65.25	32.62	40.75	32.25	5380	4670	178
6900	208Y	45.00	71.25	34.62	40.75	32.25	5325	4625	175
7200	480Δ	45.50	65.25	32.62	41.25	32.25	5415	4725	173
7200	480Y	45.00	65.25	32.62	40.75	32.25	5445	4750	174
7200	240Δ	45.00	65.25	32.62	40.75	32.25	5375	4690	172
7200	208Y	45.00	71.25	34.62	40.75	32.25	5250	4565	172
12000	480Δ	45.00	67.25	32.62	40.75	32.25	5490	4800	173
12000	480Y	45.00	63.25	30.62	40.75	32.25	5330	4650	171
12000	240Δ	45.00	67.25	32.62	40.75	32.25	5360	4675	172
12000	208Y	45.00	71.25	34.62	40.75	32.25	5345	4645	175
12470	480Δ	46.00	61.75	30.88	41.75	32.75	5530	4830	176
12470	480Y	45.00	65.25	32.62	40.75	32.25	5445	4755	173
12470	240Δ	45.00	67.25	32.62	40.75	32.25	5715	4960	189
12470	208Y	45.00	69.25	34.62	40.75	32.25	5460	4700	190
13200	480Δ	46.00	63.25	30.62	41.75	32.50	5570	4850	181
13200	480Y	45.00	65.25	32.62	40.75	32.25	5345	4655	173
13200	240Δ	45.00	65.25	32.62	40.75	32.25	5415	4715	176
13200	208Y	45.00	73.25	36.62	40.75	32.25	5435	4695	186
13800	480Δ	45.00	65.25	32.62	40.75	32.25	5385	4705	171
13800	480Y	45.00	67.25	32.62	40.75	32.25	5445	4750	174
13800	240Δ	45.00	63.25	30.62	40.75	32.25	5580	4830	188
13800	208Y	45.00	71.25	34.62	40.75	32.25	5310	4610	176

Fixed Dimensions

A	D	J	N	Q
84.06	79	55	2.94	8.32

Dimensions shown for Indoor or Outdoor Oil Transformers. For Inerteen add 1.75 inches to "A" dimension.

- ① B and M Dimension ± 1.00 inch
- ② C, G, U Dimensions $+2.00$ inches



August, 1975
 Supersedes TCS 47-376, pages 7 and 8,
 dated June, 1971
 E, D/2082/DB

Oil or Inerteen
 Standardized, 150-2500 Kva
 Three Phase, 60 Hertz

Power Centers

Dimensions in Inches (Approximate)
 60 Hertz, Standard BIL, Standard Sound Level, Standard Impedance, Standard Losses, Standard Bushing Height,
 Aluminum Coils, Standard Taps $\pm 2\frac{1}{2}\%$, Delta High Connection.

750 Kva, 65°C

High Voltage Ratings	Low Voltage Ratings	Dimensions					Transformer Total Weight in Lbs.		Fluid Gals.
		B ^①	C ^②	G ^②	M ^①	U ^②	Inerteen	Oil	
2400	480Δ	45.50	73.25	36.62	41.25	32.25	5930	5240	171
2400	480Y	44.50	75.25	36.62	40.25	32.25	5840	5170	167
2400	240Δ	44.50	73.25	36.62	40.25	36.25	6030	5255	193
2400	208Y	46.00	77.25	38.62	41.75	36.25	6340	5515	203
4160	480Δ	45.00	71.25	34.62	40.75	32.25	5835	5165	164
4160	480Y	44.50	71.25	34.62	40.25	32.25	5710	5030	166
4160	240Δ	44.50	73.25	36.62	40.25	36.25	6140	5320	204
4160	208Y	45.50	77.25	38.62	41.25	36.25	6145	5360	195
4800	480Δ	44.50	73.25	36.62	40.25	32.25	5755	5095	165
4800	480Y	45.50	67.25	32.62	41.25	32.25	5830	5150	166
4800	240Δ	44.50	75.25	36.62	40.25	36.25	6195	5395	200
4800	208Y	45.00	75.25	36.62	40.75	36.25	6425	5575	213
6900	480Δ	47.00	66.50	33.25	42.75	33.50	6095	5345	183
6900	480Y	46.50	64.00	31.00	42.25	33.00	5975	5265	175
6900	240Δ	45.50	71.25	34.62	41.25	36.25	6290	5465	203
6900	208Y	48.50	69.25	34.62	44.25	36.25	6350	5515	202
7200	480Δ	47.00	66.50	33.25	42.75	33.50	6170	5400	187
7200	480Y	45.50	69.75	34.88	41.25	32.75	5980	5250	179
7200	240Δ	45.50	77.25	38.62	41.25	36.25	6140	5365	193
7200	208Y	47.00	67.25	32.62	42.75	36.25	6680	5800	216
12000	480Δ	47.00	62.50	31.25	42.75	33.50	6325	5540	192
12000	480Y	45.00	72.00	35.00	40.75	33.00	5905	5195	175
12000	240Δ	45.00	73.25	36.62	40.75	36.25	6230	5405	203
12000	208Y	47.50	67.25	32.62	43.25	36.25	6570	5690	216
12470	480Δ	47.00	66.50	33.25	42.75	33.50	6180	5410	187
12470	480Y	46.50	62.00	31.00	42.25	33.00	6060	5340	177
12470	240Δ	45.50	71.25	34.62	41.25	36.25	6445	5605	211
12470	208Y	46.50	71.25	34.62	42.25	36.25	6550	5700	211
13200	480Δ	47.00	65.00	31.50	42.75	34.00	6335	5550	195
13200	480Y	46.00	68.50	33.25	41.75	33.50	5900	5200	173
13200	240Δ	45.00	71.25	34.62	40.75	36.25	6220	5405	201
13200	208Y	46.00	71.25	34.62	41.75	36.25	6325	5495	206
13800	480Δ	47.00	65.00	31.50	42.75	34.00	6135	5380	186
13800	480Y	45.50	72.00	35.00	41.25	33.00	5950	5230	177
13800	240Δ	45.00	71.25	34.62	40.75	36.25	6235	5420	201
13800	208Y	47.00	69.25	34.62	42.75	36.25	6430	5580	210

Fixed Dimensions

A	D	J	N	Q
84.06	79.00	55.00	2.94	8.32

- ① B and M Dimension ± 1.00 inch
- ② C, G, U Dimensions $+ 2.00$ inches

Dimensions shown for Indoor or Outdoor Oil Transformers. For Inerteen add 1.75 inches to "A" dimension.



Dimensions in Inches (Approximate)
60 Hertz, Standard BIL, Standard Sound Level, Standard Impedance, Standard Losses, Standard Bushing Height,
Aluminum Coils, Standard Taps $\pm 2-2\frac{1}{2}\%$. Delta High Voltage Connection.

750 Kva, 55°C

High Voltage Ratings	Low Voltage Ratings	Dimensions					Transformer Total Weight in Lbs.		Fluid Gals.
		B ^①	C ^②	G ^②	M ^①	U ^②	Inerteen	Oil	
2400	480Δ	47.50	75.25	36.62	43.25	32.25	6450	5665	192
2400	480Y	46.00	87.25	42.62	41.75	32.25	6225	5485	181
2400	240Δ	46.50	81.25	40.62	42.25	36.25	6580	5730	213
2400	208Y	46.50	81.25	40.62	42.25	36.25	6635	5775	212
4160	480Δ	47.50	79.25	38.62	43.25	32.25	6470	5695	190
4160	480Y	45.50	83.25	40.62	41.25	32.25	6240	5485	186
4160	240Δ	46.50	79.25	38.62	42.25	36.25	6980	6050	229
4160	208Y	46.50	79.25	38.62	42.25	36.25	6620	5750	214
4800	480Δ	46.00	87.25	42.62	41.75	32.25	6365	5615	183
4800	480Y	46.00	83.25	40.62	41.75	32.25	6215	5475	181
4800	240Δ	45.00	87.25	42.62	40.75	36.25	6505	5630	213
4800	208Y	46.50	77.25	38.62	42.25	36.25	6920	5990	229
6900	480Δ	48.00	79.00	39.50	43.75	34.00	6850	6010	208
6900	480Y	47.50	80.25	39.12	43.25	33.25	6480	5695	192
6900	240Δ	48.00	77.25	38.62	43.75	36.25	6690	5790	220
6900	208Y	47.50	83.25	40.62	43.25	36.25	6780	5890	221
7200	480Δ	49.00	76.50	37.25	44.75	33.50	6535	5730	199
7200	480Y	48.50	74.25	37.12	44.25	33.25	6485	5685	200
7200	240Δ	46.00	85.25	42.62	41.75	36.25	6780	5880	220
7200	208Y	48.00	83.25	40.62	43.75	36.25	6735	5855	219
12000	480Δ	49.00	76.75	37.38	44.75	33.75	6870	6020	210
12000	480Y	48.50	78.00	39.00	44.25	33.00	6360	5555	196
12000	240Δ	47.50	79.25	38.62	43.25	36.25	6690	5785	226
12000	208Y	47.50	81.25	40.62	43.25	36.25	6840	5930	225
12470	480Δ	48.00	78.50	39.25	43.75	33.50	6910	6035	213
12470	480Y	48.00	74.50	37.25	43.75	33.50	6470	5705	191
12470	240Δ	47.50	75.25	36.62	43.25	36.25	6685	5810	213
12470	208Y	47.50	81.25	40.62	43.25	36.25	6840	5930	225
13200	480Δ	48.50	78.50	39.25	44.25	33.50	6805	5960	207
13200	480Y	48.50	76.00	37.00	44.25	33.00	6270	5505	191
13200	240Δ	47.50	79.25	38.62	43.25	36.25	7120	6155	238
13200	208Y	47.00	81.25	40.62	42.75	36.25	6790	5880	222
13800	480Δ	51.00	74.00	37.00	46.75	33.00	6655	5830	203
13800	480Y	48.50	76.25	37.12	44.25	33.25	6415	5610	196
13800	240Δ	47.00	79.25	38.62	42.75	36.25	6710	5810	220
13800	208Y	47.50	83.25	40.62	43.25	36.25	6745	5835	222

Fixed Dimensions

A	D	J	N	Q
84.06	79.00	55.00	2.94	8.32

① B and M Dimensions ± 1.00 inch
 ② C, G, U Dimensions ± 2.00 inches

Dimensions shown for Indoor or Outdoor Oil Transformers. For Inerteen add 1.75 inches to "A" dimension.



August, 1975
 Supersedes TCS 47-376, pages 9 and 10,
 dated June, 1971
 E, D/2082/DB

Oil or Inerteen
 Standardized, 150-2500 Kva
 Three Phase, 60 Hertz

Power Centers

Dimensions in Inches (Approximate)
 60 Hertz, Standard BIL, Standard Sound Level, Standard Impedance, Standard Losses, Standard Bushing Height,
 Aluminum Coils, Standard Taps $\pm 2-2\frac{1}{2}\%$, Delta High Voltage Connection.

1000 Kva, 65°C

High Voltage Ratings	Low Voltage Ratings	Dimensions						Transformer Total Weight in Lbs.		Fluid Gals.
		B ^①	C ^②	G ^②	M ^①	N	U ^②	Inerteen	Oil	
2400	480Δ	47.00	73.50	36.75	42.75	2.94	32.50	7220	6370	210
2400	480Y	47.00	73.50	36.75	42.75	2.94	32.50	6855	6040	201
2400	240Δ	46.50	77.25	38.62	42.25	2.94	36.25	7300	6355	234
2400	208Y	51.50	77.25	38.62	47.25	4.06	36.25	7515	6510	246
4160	480Δ	47.00	75.75	36.88	42.75	2.94	32.75	6830	6065	188
4160	480Y	46.50	79.25	38.62	42.25	2.94	32.25	6560	5845	178
4160	240Δ	46.50	81.25	40.62	42.25	2.94	36.25	7005	6155	213
4160	208Y	52.00	77.25	38.62	47.75	4.06	36.25	7710	6675	255
4800	480Δ	47.00	79.75	38.88	42.75	2.94	32.75	6905	6130	193
4800	480Y	47.00	77.25	38.62	42.75	2.94	32.25	6485	5760	180
4800	240Δ	46.50	81.25	40.62	42.25	2.94	36.25	7030	6170	212
4800	208Y	52.50	71.25	34.62	48.25	4.06	36.25	7850	6810	261
6900	480Δ	49.00	77.00	37.50	44.75	2.94	34.00	7110	6275	205
6900	480Y	48.00	75.75	36.88	43.75	2.94	32.75	6985	6180	199
6900	240Δ	48.00	81.25	40.62	43.75	2.94	36.25	7215	6335	216
6900	208Y	53.00	77.25	38.62	48.75	4.06	36.25	7515	6550	238
7200	480Δ	48.50	77.00	37.50	44.25	2.94	34.00	7225	6385	211
7200	480Y	48.00	78.25	39.12	43.75	2.94	33.25	6865	6070	197
7200	240Δ	47.50	75.25	36.62	43.25	2.94	36.25	7445	6510	232
7200	208Y	53.00	75.25	36.62	48.75	4.06	36.25	7635	6660	240
12000	480Δ	49.00	77.00	37.50	44.75	2.94	34.00	7115	6270	207
12000	480Y	48.00	78.25	39.12	43.75	2.94	33.25	6990	6165	200
12000	240Δ	48.50	81.25	40.62	44.25	2.94	36.25	7280	6390	218
12000	208Y	53.50	71.25	34.62	49.25	4.06	36.25	7740	6755	242
12470	480Δ	49.50	75.25	37.62	45.25	2.94	34.25	7265	6395	214
12470	480Y	46.50	76.75	37.38	42.25	2.94	33.75	7555	6675	219
12470	240Δ	47.50	77.25	38.62	43.25	2.94	36.25	7465	6505	235
12470	208Y	53.00	75.25	36.62	48.75	4.06	36.25	7655	5680	240
13200	480Δ	49.50	79.25	39.62	45.25	2.94	34.25	7180	6320	212
13200	480Y	48.00	76.75	37.38	43.75	2.94	33.75	6950	6125	200
13200	240Δ	49.00	79.25	38.62	44.75	2.94	36.25	7315	6415	220
13200	208Y	53.50	75.25	36.62	49.25	4.06	36.25	7800	6795	249
13800	480Δ	49.50	75.00	37.50	45.25	2.94	34.00	7225	6365	212
13800	480Y	48.00	74.25	37.12	43.75	2.94	33.25	7110	6270	208
13800	240Δ	47.50	79.25	38.62	43.25	2.94	36.25	7300	6405	224
13800	208Y	53.00	73.25	36.62	48.75	4.06	36.25	8120	7020	270

Fixed Dimensions

A	D	J	Q
84.06	79.00	55.00	8.32

Dimensions shown for Indoor or Outdoor Oil Transformers. For Inerteen add 1.75 inches to "A" dimension.

① B and M Dimension ± 1.00 inch
 ② C, G, U Dimensions $+2.00$ inches



Dimensions in Inches (Approximate)
60 Hertz, Standard BIL, Standard Sound Level, Standard Impedance, Standard Losses, Standard Bushing Height,
Aluminum Coils, Standard Taps $\pm 2\text{-}2\frac{1}{2}\%$, Delta High Voltage Connection.

1000 Kva, 55°C

High Voltage Ratings	Low Voltage Ratings	Dimensions						Transformer Total Weight in Lbs.		Fluid Gals.
		B①	C②	G②	M①	N	U②	Inerteen	Oil	
2400	480Δ	49.50	85.50	42.75	45.25	2.94	32.50	7405	6495	222
2400	480Y	49.00	85.50	42.75	44.75	2.94	32.50	7420	6500	224
2400	240Δ	48.50	89.25	44.62	44.25	4.06	36.25	7775	6740	255
2400	208Y	52.50	87.25	42.62	48.25	4.06	36.25	8220	7125	274
4160	480Δ	49.50	93.50	46.75	45.25	2.94	32.50	7145	6310	205
4160	480Y	49.00	95.25	46.62	44.75	2.94	32.25	7070	6255	201
4160	240Δ	49.00	95.25	46.62	44.75	4.06	36.25	7505	6560	237
4160	208Y	52.50	87.25	42.62	48.25	4.06	36.25	8230	7135	274
4800	480Δ	49.50	91.50	44.75	45.25	2.94	32.50	7165	6330	202
4800	480Y	48.50	89.25	44.62	44.25	2.94	32.25	7090	6275	201
4800	240Δ	48.50	95.25	46.62	44.25	4.06	36.25	7500	6550	233
4800	208Y	51.50	87.25	42.62	47.25	4.06	36.25	8650	7475	293
6900	480Δ	51.50	85.00	41.50	47.25	2.94	34.00	7520	6630	221
6900	480Y	51.50	89.50	43.75	47.75	2.94	34.50	7275	6430	207
6900	240Δ	50.00	91.25	44.62	45.75	4.06	36.25	7785	6780	249
6900	208Y	54.00	85.25	42.62	49.75	4.06	36.25	8855	7660	294
7200	480Δ	51.50	89.00	43.50	47.25	2.94	34.00	7565	6665	220
7200	480Y	50.00	92.00	45.00	45.75	2.94	33.00	7390	6505	215
7200	240Δ	49.50	95.25	46.62	45.25	4.06	36.25	7515	6585	229
7200	208Y	53.00	89.25	44.62	48.75	4.06	36.25	8280	7220	262
12000	480Δ	51.50	87.00	43.50	47.25	2.94	34.00	7540	6630	222
12000	480Y	51.50	82.75	41.38	47.25	2.94	33.75	7540	6635	226
12000	240Δ	50.50	91.25	44.62	46.25	4.06	36.25	7690	6745	237
12000	208Y	53.50	91.25	44.62	49.25	4.06	36.25	8100	7060	258
12470	480Δ	50.50	90.50	45.25	46.25	2.94	33.50	7495	6600	224
12470	480Y	49.00	88.25	43.12	44.75	2.94	33.25	8020	7045	240
12470	240Δ	49.50	91.25	44.62	45.12	4.06	36.25	8040	6995	257
12470	208Y	53.86	89.12	44.56	49.62	4.06	36.25	8205	7135	267
13200	480Δ	51.50	82.50	41.25	47.25	2.94	33.50	7520	6620	223
13200	480Y	50.50	92.50	45.25	46.25	2.94	33.50	7525	6615	222
13200	240Δ	50.00	95.25	46.62	45.75	4.06	36.25	7630	6685	237
13200	208Y	53.50	87.25	42.62	49.25	4.06	36.25	8745	7550	294
13800	480Δ	50.50	90.50	45.25	46.25	2.94	33.50	7510	6600	225
13800	480Y	49.00	90.00	45.00	44.75	2.94	33.00	7575	6690	222
13800	240Δ	50.50	89.25	44.62	46.25	4.06	36.25	7825	6840	242
13800	208Y	53.86	85.12	42.56	49.62	4.06	36.25	8070	7020	263

Fixed Dimensions			
A	D	J	Q
84.06	79.00	55.00	8.32

① B and M Dimension ± 1.00 inch
 ② C, G, U Dimensions $+2.00$ inches

Dimensions shown for Indoor or Outdoor Oil Transformers. For Inerteen add 1.75 inches to "A" dimension.



August, 1975
 New Information
 E, D/2082/DB

Oil or Inerteen
 Standardized, 150-2500 Kva
 Three Phase, 60 Hertz

Power Centers

Dimensions in Inches (Approximate)
 60 Hertz, Standard BIL, Standard Sound Level, Standard Impedance, Standard Losses, Standard Bushing Height,
 Aluminum Coils, Standard Taps $\pm 2-2\frac{1}{2}\%$, Delta High Voltage Connection.

1500 Kva 65°C

High Voltage Ratings	Low Voltage Ratings	Dimensions					Transformer Total Weight in Lbs.		Fluid Gals.
		B①	C②	G②	M①	U②	Inerteen	Oil	
2400Δ	480Δ	49.50	91.25	44.62	45.25	36.25	9680	8580	275
2400Δ	480Y	51.50	87.25	42.62	47.25	36.25	8845	7815	259
4160Δ	480Δ	52.50	87.25	42.62	48.25	36.25	8780	7780	247
4160Δ	480Y	52.00	89.25	44.62	47.75	36.25	8875	7850	253
4800Δ	480Δ	52.50	85.25	42.62	48.25	36.25	8805	7830	243
4800Δ	480Y	52.50	93.25	46.62	48.25	36.25	8670	7695	240
6900Δ	480Δ	53.00	89.25	44.62	48.75	36.25	9000	8005	244
6900Δ	480Y	53.50	91.25	44.62	49.25	36.25	8845	7855	247
7200Δ	480Δ	53.50	91.25	44.62	49.25	36.25	9030	8030	250
7200Δ	480Y	54.35	87.12	42.56	50.12	36.25	8770	7775	249
12000Δ	480Δ	52.00	89.25	44.62	47.75	36.25	9055	8045	253
12000Δ	480Y	52.50	89.25	44.62	48.25	36.25	8835	7850	246
12470Δ	480Δ	52.50	91.25	44.62	48.25	36.25	8870	7885	246
12470Δ	480Y	53.50	85.25	42.62	49.25	36.25	8970	7965	251
13200Δ	480Δ	52.50	91.25	44.62	48.25	36.25	8765	7800	241
13200Δ	480Y	53.50	89.25	44.62	49.25	36.25	8840	7855	246
13800Δ	480Δ	52.00	93.25	46.62	47.75	36.25	8785	7835	238
13800Δ	480Y	52.50	89.25	44.62	48.25	36.25	8870	7895	244

Fixed Dimensions

A	D	J	N	Q
84.06	79.00	55.00	2.94	8.32

1500 Kva 55°C Rise

High Voltage Ratings	Low Voltage Ratings	Dimensions					Transformer Total Weight in Lbs.		Fluid Gals.
		B①	C②	G②	M①	U②	Inerteen	Oil	
2400Δ	480Δ	52.50	95.25	46.62	48.25	36.25	9815	8630	296
2400Δ	480Y	53.00	95.25	46.62	48.75	36.25	9580	8460	280
4160Δ	480Δ	53.00	103.25	50.62	48.75	36.25	9235	8190	261
4160Δ	480Y	53.50	101.25	50.62	49.25	36.25	9890	8760	283
4800Δ	480Δ	53.50	101.25	50.62	49.25	36.25	9285	8235	262
4800Δ	480Y	53.00	103.25	50.62	48.75	36.25	9390	8355	259
6900Δ	480Δ	53.85	109.12	54.56	49.62	36.25	9285	8235	262
6900Δ	480Y	56.00	103.25	50.62	51.75	36.25	9675	8585	273
7200Δ	480Δ	55.50	103.25	50.62	51.25	36.25	9650	8570	270
7200Δ	480Y	55.00	105.25	52.62	50.75	36.25	9660	8555	276
12000Δ	480Δ	54.00	103.25	50.62	49.75	36.25	9665	8555	277
12000Δ	480Y	53.35	107.12	52.56	49.12	36.25	9160	8100	265
12470Δ	480Δ	55.00	103.25	50.62	50.75	36.25	9570	8500	268
12470Δ	480Y	54.00	105.25	52.62	49.75	36.25	9575	8500	269
13200Δ	480Δ	54.50	103.25	50.62	50.25	36.25	9675	8605	268
13200Δ	480Y	55.50	101.25	50.62	51.25	36.25	9525	8475	263
13800Δ	480Δ	55.00	105.25	52.62	50.75	36.25	9480	8430	263
13800Δ	480Y	54.50	99.25	48.62	50.25	36.25	9825	8705	280

Fixed Dimensions

A	D	J	N	Q
84.06	79.00	55.00	2.94	8.32

① B and M Dimension ± 1.00 inch
 ② C, G, U Dimensions $+2.00$ inches

Dimensions shown for Indoor or Outdoor Oil Transformers. For Inerteen add 1.75 inches to "A" dimension.



Dimensions in Inches (Approximate)

60 Hertz, Standard BIL, Standard Sound Level, Standard Impedance, Standard Losses, Standard Bushing Height, Aluminum Coils, Standard Taps \pm 2-2½%, Delta High Voltage Connection.

2000 Kva, 65°C

High Voltage Ratings	Low Voltage Ratings	Dimensions					Transformer Total Weight in Lbs.		Fluid Gals.
		B ^①	C ^②	G ^②	M ^①	U ^②	Inerteen	Oil	
4160Δ	480Δ	57.00	87.25	42.62	52.75	36.25	10540	9405	284
4160Δ	480Y	56.50	93.25	46.62	52.25	36.25	10530	9400	282
4800Δ	480Δ	57.00	89.25	44.62	52.75	36.25	10460	9335	281
4800Δ	480Y	58.00	85.25	42.62	53.75	36.25	10775	9635	285
6900Δ	480Δ	56.50	93.25	46.62	52.25	36.25	10190	9130	265
6900Δ	480Y	57.00	93.25	46.62	52.75	36.25	10435	9380	264
7200Δ	480Δ	56.00	97.25	48.62	51.75	36.25	10455	9355	275
7200Δ	480Y	57.00	93.25	46.62	52.75	36.25	10395	9335	265
12000Δ	480Δ	57.50	87.25	42.62	53.25	36.25	10920	9770	288
12000Δ	480Y	57.50	89.25	44.62	53.25	36.25	10610	9530	270
12470Δ	480Δ	56.50	87.25	42.62	52.25	36.25	10935	9790	286
12470Δ	480Y	58.00	87.25	42.62	53.75	36.25	10645	9540	276
13200Δ	480Δ	57.50	87.75	42.88	53.25	36.75	10360	9305	264
13200Δ	480Y	59.00	96.50	47.25	54.75	37.50	10670	9620	262
13800Δ	480Δ	55.50	93.75	46.88	51.25	36.75	10950	9810	285
13800Δ	480Y	57.50	87.25	42.62	53.25	36.25	10570	9475	274

Fixed Dimensions

A	D	J	N	Q
84.06	79.00	55.00	2.94	8.32

2000 Kva, 55°C

High Voltage Ratings	Low Voltage Ratings	Dimensions					Transformer Total Weight in Lbs.		Fluid Gals.
		B ^①	C ^②	G ^②	M ^①	U ^②	Inerteen	Oil	
4160Δ	480Δ	57.50	105.25	52.62	53.25	36.25	11420	10170	312
4160Δ	480Y	58.00	103.25	50.62	53.75	36.25	11265	10055	303
4800Δ	480Δ	58.00	101.25	50.62	53.75	36.25	11305	10055	313
4800Δ	480Y	59.00	101.25	50.62	54.75	36.25	11535	10280	314
6900Δ	480Δ	58.00	105.25	52.62	53.75	36.25	11165	9980	296
6900Δ	480Y	58.50	105.25	52.62	54.25	36.25	11315	10135	295
7200Δ	480Δ	58.00	105.25	52.62	53.75	36.25	11325	10125	300
7200Δ	480Y	58.00	109.75	54.88	53.75	36.75	11105	9995	278
12000Δ	480Δ	59.00	101.25	50.62	54.75	36.25	11520	10285	309
12000Δ	480Y	58.50	108.75	53.38	54.25	37.75	11270	10120	288
12470Δ	480Δ	57.00	105.25	52.62	52.75	36.25	11605	10395	303
12470Δ	480Y	59.50	101.75	50.88	55.25	36.75	11965	10675	322
13200Δ	480Δ	57.50	111.50	54.75	53.25	36.50	11355	10175	295
13200Δ	480Y	61.00	105.00	51.50	56.75	38.00	11550	10380	292
13800Δ	480Δ	57.00	105.75	52.88	52.75	36.75	11645	10395	312
13800Δ	480Y	59.50	104.75	51.38	55.25	37.75	11545	10375	293

Fixed Dimensions

A	D	J	N	Q
84.06	79.00	55.00	4.06	8.32

- ① B and M Dimension \pm 1.00 inch
- ② C, G, U Dimensions +2.00 inches

Dimensions shown for Indoor or Outdoor Oil Transformers. For Inerteen add 1.75 inches to "A" dimension.



August, 1975
 New Information
 E, D/2082/DB

Oil or Inerteen
 Standardized, 150-2500 Kva
 Three Phase, 60 Hertz

Power Centers

Dimensions in Inches (Approximate)

60 Hertz, Standard BIL, Standard Sound Level, Standard Impedance, Standard Losses, Standard Bushing Height, Aluminum Coils, Standard Taps $\pm 2-2\frac{1}{2}\%$, Delta High Voltage Connection.

2500 Kva, 65°C

High Voltage Ratings	Low Voltage Ratings	Dimensions					Transformer Total Weight in Lbs.		Fluid Gals.
		B①	C②	G②	M①	U②	Inerteen	Oil	
4160Δ	480Δ	59.50	101.25	50.62	55.25	36.25	11870	10685	296
4160Δ	480Y	60.00	96.00	47.00	55.75	37.00	12585	11360	306
4800Δ	480Δ	59.50	102.00	51.00	55.25	37.00	11785	10615	293
4800Δ	480Y	58.00	95.75	46.88	53.75	36.75	12415	11180	309
6900Δ	480Δ	61.00	98.25	49.12	56.75	37.25	11965	10785	295
6900Δ	480Y	61.00	98.50	49.25	56.75	37.50	12315	11125	298
7200Δ	480Δ	60.50	102.25	51.12	56.25	37.25	11755	10605	288
7200Δ	480Y	64.00	93.25	45.62	59.75	38.25	12630	11405	306
12000Δ	480Δ	61.00	97.75	47.88	56.75	38.75	11945	10795	288
12000Δ	480Y	64.00	97.50	47.75	59.75	38.50	12685	11435	312
12470Δ	480Δ	62.00	93.00	45.50	57.75	38.00	12255	11025	308
12470Δ	480Y	64.00	95.75	47.88	59.75	38.75	13020	11730	323
13200Δ	480Δ	61.50	93.75	45.88	57.25	38.75	12480	11250	308
13200Δ	480Y	64.00	93.75	45.88	59.75	38.75	13040	11730	328
13800Δ	480Δ	61.50	95.00	47.50	57.25	38.00	12200	10965	309
13800Δ	480Y	63.50	97.75	47.88	59.25	38.75	12685	11435	312

Fixed Dimensions

A	D	J	N	Q
84.13	79.00	55.00	4.06	8.32

2500 Kva 55°C

High Voltage Ratings	Low Voltage Ratings	Dimensions					Transformer Total Weight in Lbs.		Fluid Gals.
		B①	C②	G②	M①	U②	Inerteen	Oil	
4160Δ	480Δ	61.00	114.00	57.00	56.75	37.00	12615	11365	312
4160Δ	480Y	63.50	105.00	51.50	59.25	38.00	13785	12415	343
4800Δ	480Δ	61.00	116.00	57.00	56.75	37.00	12595	11335	315
4800Δ	480Y	64.00	105.00	51.50	59.75	38.00	13875	12490	346
6900Δ	480Δ	61.00	118.50	59.25	56.75	37.50	12705	11450	314
6900Δ	480Y	62.00	106.75	53.38	57.75	37.75	13565	12200	341
7200Δ	480Δ	60.50	116.25	57.12	56.25	37.25	12885	11565	330
7200Δ	480Y	63.50	109.25	53.62	59.25	38.25	13390	12085	326
12000Δ	480Δ	62.50	110.25	54.12	58.25	39.25	13375	12000	343
12000Δ	480Y	65.00	110.25	54.12	60.75	39.25	13845	12430	354
12470Δ	480Δ	62.00	113.00	55.50	57.75	38.00	12880	11570	327
12470Δ	480Y	63.50	113.75	55.88	59.25	38.75	13935	12555	345
13200Δ	480Δ	61.50	113.75	55.88	57.25	38.75	13105	11795	327
13200Δ	480Y	65.00	108.00	54.00	60.75	39.00	13765	12365	350
13800Δ	480Δ	61.50	113.00	55.50	57.25	38.00	13090	11750	335
13800Δ	480Y	64.50	110.00	54.00	60.25	39.00	13885	12465	355

Fixed Dimensions

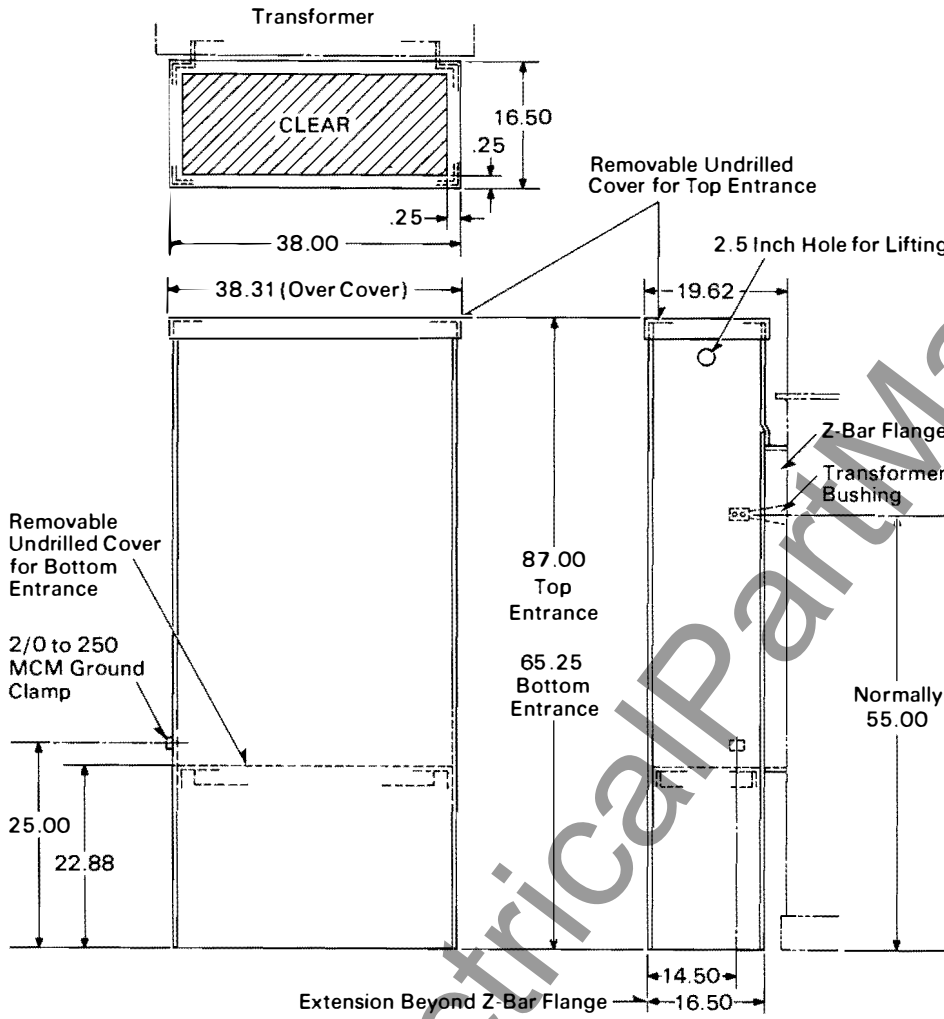
A	D	J	N	Q
84.13	79.00	55.00	4.06	8.32

① B and M Dimension ± 1.00 inch
 ② C, G, U Dimensions $+2.00$ inches

Dimensions shown for Indoor or Outdoor Oil Transformers. For Inerteen add 1.75 inches to "A" dimension.



Free Standing Air Terminal Chamber
High or Low Voltage – Indoor or Outdoor



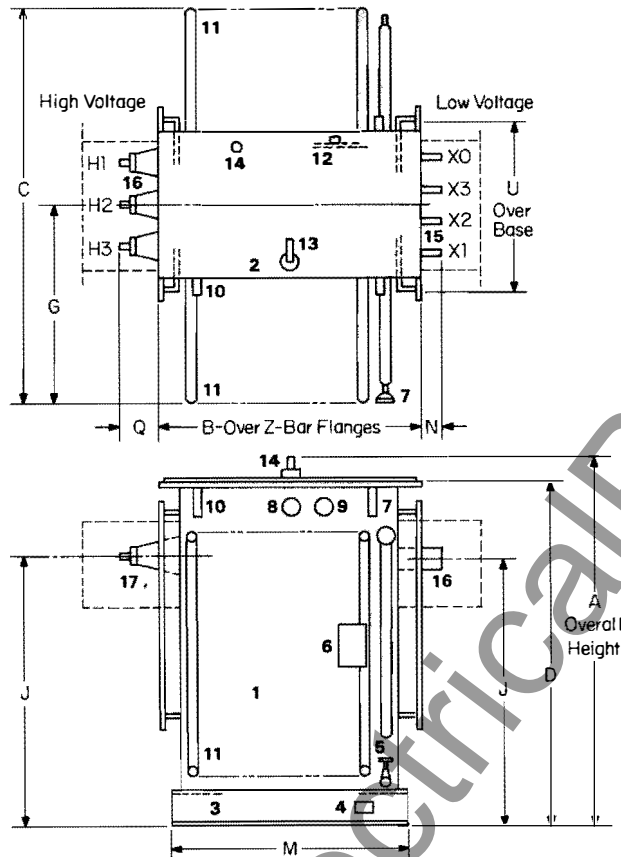


June, 1976
 Supersedes 47-159 T WE A
 pages 1-2, dated
 August, 1975, E, D/2082/DB

Oil or Inerteen®
 Standardized, 150-2500 Kva
 Three Phase, 60 Hertz

Power Centers

Liquid Filled Power Center Transformers



Description: Numbers correspond to those on the drawing.

1. Tank
2. Cover - welded to tank
3. Base - jacking area at ends
4. Ground pad - 1 total
5. Drain valve - 1 inch valve for combination lower filter press connection, complete drain and provision for sampling
6. Diagram instruction plate
7. Dial type thermometer with alarm contacts when required
8. Magnetic liquid gauge with alarm contacts when required
9. Vacuum pressure gauge
10. Lifting hooks
11. Cooling tubes
12. Air test valve
13. Tap changer operating mechanism with provision for padlocking
14. 1 inch upper filter & filling plug connection
15. L.V. bushing assembly (Wall mounted)
16. H.V. bushings - 3 total (Wall Mounted)

General Information

The dimensions and weights in the following tables are for use with T. C. S. 47-159, page 1 for standard ratings as defined by standard electrical, mechanical, tests and accessories in Price List 47-150, pages 2 and 3, dated April 10, 1975. For specials, refer to South Boston Plant.

These Power Center Transformers are three phase, 60 Hertz, 65°C or 55°C rise, (see tables) indoor or outdoor with aluminum, rectangular sheet windings and 30°C average ambient with 40°C max. rise over 24 hours.

Standard Low Voltage Right.
 Outline as shown is for standard Z-Bar/Z-Bar flanges. When high voltage bus throat is required, add 9 inches to B dimension. When LV bus throat is required, add 8½ inches to B dimension.

Dotted line indicates approximate location of Bus Throats if required.

Specification

Kva _____, H.V. _____, L.V. _____
 Liquid: Oil Inerteen, Rise _____ °C, Aluminum Windings,
 L.V. Right (Std.), L.V. Left, Total Transformer Weight _____

Dimensions

A	B	C	D	G	J	M	Q	N	U
---	---	---	---	---	---	---	---	---	---

Customer _____ Address _____ G.O. _____
 P.O. Number _____ Item _____ Line No. _____
 Job _____

Certification by South Boston only. _____ Date _____ Construction or Installation _____
 Approval
 Reference
 Other



Dimensions in Inches (Approximate)
60 Hertz, Standard BIL, Standard Sound Level, Standard Impedance, Standard Losses, Standard Bushing Height,
Aluminum Coils, Standard Taps $\pm 2-2\frac{1}{2}\%$, Delta High Voltage Connection.

150 Kva, 55°C

High Voltage Ratings	Low Voltage Ratings	Dimensions					Transformer Total Weight in Lbs.		Fluid Gals.
		B [ⓐ]	C [ⓑ]	G [ⓐ]	M [ⓐ]	U [ⓑ]	Inerteen	Oil	
4160	208Y	25.50	56.75	23.00	21.25	42.50	2835	2430	99
4160	480Y	25.50	58.25	22.75	21.25	42.00	2915	2490	100
4160	480Δ	26.50	52.75	23.00	22.25	42.50	3120	2675	107
7200	208Y	26.00	58.75	23.00	21.75	42.50	2990	2550	111
7200	480Y	27.00	52.25	22.75	22.75	42.00	3100	2640	112
7200	480Δ	27.50	53.75	23.50	23.25	43.50	3240	2770	117
12470	208Y	26.50	54.75	23.00	22.25	42.50	3070	2620	113
12470	480Y	27.50	50.75	23.00	23.25	42.50	3130	2680	113
12470	480Δ	28.00	51.25	24.25	23.75	45.00	3360	2870	118
13800	208Y	27.50	58.25	22.75	23.25	42.00	3200	2760	111
13800	480Y	27.50	49.75	23.50	23.25	43.50	3290	2800	118
13800	480Δ	28.00	51.75	24.50	23.75	45.50	3455	2945	122

150 Kva, 65°C

High Voltage Ratings	Low Voltage Ratings	Dimensions					Transformer Total Weight in Lbs.		Fluid Gals.
		B [ⓐ]	C [ⓑ]	G [ⓐ]	M [ⓐ]	U [ⓑ]	Inerteen	Oil	
4160	208Y	25.00	55.25	23.25	20.75	43.00	2865	2440	100
4160	480Y	25.50	53.25	23.25	21.25	43.00	2980	2545	105
4160	480Δ	26.50	57.75	22.50	22.25	41.50	3085	2650	105
7200	208Y	25.50	55.25	23.25	21.25	43.00	2955	2505	110
7200	480Y	26.50	47.75	22.50	22.25	41.50	2965	2530	105
7200	480Δ	27.50	48.75	23.00	23.25	42.50	3185	2720	111
12470	208Y	26.50	48.75	23.00	22.25	42.50	3015	2575	108
12470	480Y	27.50	48.25	22.75	23.25	42.00	3060	2620	108
12470	480Δ	27.50	51.25	24.25	23.25	45.00	3305	2845	115
13800	208Y	27.50	52.25	22.75	23.25	42.00	3020	2590	106
13800	480Y	27.50	49.25	23.25	23.25	43.00	3145	2680	111
13800	480Δ	28.00	51.75	24.50	23.75	45.50	3445	2945	123

Fixed Dimensions

A	D	J	N	Q
79.06	74.00	55.00	8.32	8.32

ⓐ B and M Dimensions ± 1.00 inch
 ⓑ C, G, U Dimensions $+2.00$ inches

JUN 1 1976

Dimensions shown for Indoor or Outdoor Oil Transformers. For Inerteen add 1.75 inches to "A" dimension.

"P" Card Is For Special Charges

STYLE NO.	RAMAD	WH	U/M	PRICE \$	DIS SYM	DESCRIPTION	STYLE NO.	RAMAD	WH	U/M	PRICE \$	DIS SYM	DESCRIPTION	STYLE NO.	RAMAD	WH	U/M	PRICE \$	DIS SYM	DESCRIPTION	
1F0966	12989	W85	EA			MTA TRANSFMR L	1L 20642	NC	EA	25.00	N8	REGISTER, 4 DIAL	1L1027601	37174	W82	EA	14.00	N8	COVER ASSY		
1F0967	12997	W85	EA			MTA TRANSFMR R	43	NC	EA	25.00	N8	REGISTER, 4 DIAL	1L1038601	88308	Q91	EA	19.00	N8	BASE ASSY		
1F0968	13005	W85	EA			MTA TRANSFMR L	47	11224	Q91	EA	7.00	N8	REGISTER, 4 DIAL	02	81594	Q91	EA	19.00	N8	BASE ASSY	
1F0987	13077	W85	EA			MTA TRANSFMR R	49	11225	Q91	EA	7.00	N8	REGISTER, 4 DIAL	1L1048601	88309	Q91	EA	9.00	N8	BASE ASSY	
1F0988	13085	W85	EA			MTA TRANSFMR R	52	11228	Q91	EA	25.00	N8	REGISTER, 4 DIAL	1L1110601	88310	Q91	EA	9.00	N8	BASE ASSY	
1F0989	13093	W85	EA			MTA TRANSFMR R	56	NC	EA	9.00	N8	REGISTER, 4 DIAL	1L1118P01	18407	Q91	EA	8.00	N8	BRACKET		
1F0990	13101	W85	EA			MTA TRANSFMR R	57	11230	Q91	EA	25.00	N8	REGISTER, 4 DIAL	1L1131601	81595	Q91	EA	17.00	N8	BASE ASSY	
1F0991	13109	W85	EA			MTA TRANSFMR R	58	18372	Q91	EA	25.00	N8	REGISTER	03	81596	Q91	EA	17.00	N8	BASE ASSY	
1F0992	13117	W85	EA			MTA TRANSFMR R	59	81483	Q91	EA	9.00	N8	REGISTER	1M 14P01	18412	Q91	EA	1.80	N8	TERMINAL BLOCK	
1F0993	13125	W85	EA			MTA TRANSFMR BL	60	NC	EA	9.00	N8	REGISTER, 4 DIAL	1M 15P01	88311	Q91	EA	.40	N8	INSULATION		
1F0994	13133	W85	EA			MTA TRANSFMR R	61	88296	Q91	EA	9.00	N8	REGISTER	02	81598	Q91	EA	.40	N8	INSULATION	
1F0995	13141	W85	EA			MTA TRANSFMR BL	62	81486	Q91	EA	9.00	N8	4D REGISTER	1M 16603	37147	W82	EA	6.00	N8	TERM BLK ASSY	
1F0996	13149	W85	EA			MTA TRANSFMR L	63	NC	EA	9.00	N8	REGISTER, 4 DIAL	04	18413	Q91	EA	6.00	N8	TERM BLK ASSY		
1F0997	13157	W85	EA			MTA TRANSFMR BL	64	11232	Q91	EA	25.00	N8	REGISTER, 4 DIAL	1M 17P01	18423	Q91	EA	1.00	N8	TERMINAL BLOCK	
1F0998	13165	W85	EA			MTA TRANSFMR L	65	NC	EA	9.00	N8	REGISTER, 4 DIAL	1M 18P01	88312	Q91	EA	2.50	N8	BLOCK		
1F1025	13013	W85	EA			MTA TRANSFMR R	66	81505	Q91	EA	7.00	N8	REGISTER	1M 40P01	81602	Q91	EA	1.50	N8	TERMINAL COVER	
1F1028	13021	W85	EA			MTA TRANSFMR R	67	81506	Q91	EA	9.00	N8	REGISTER	02	18445	Q91	EA	1.50	N8	TERML COVER	
1F1030	13029	W85	EA			MTA TRANSFMR R	68	88297	Q91	EA	9.00	N8	REGISTER	1M 90G01	37148	W82	EA	7.00	N8	TERM BLK ASSY	
1F1031	13037	W85	EA			MTA TRANSFMR BL	69	93996	Q91	EA	9.00	N8	REQ RR 277 7/9	02	NC	EA	7.00	N8	TERM BLK ASSY		
1F1033	13045	W85	EA			MTA TRANSFMR BL	70	NC	EA	9.00	N8	REGISTER, 4 DIAL	1M 91G01	37150	W82	EA	8.60	N8	TERM BLK ASSY		
1F1034	13053	W85	EA			MTA TRANSFMR BL	71	11233	Q91	EA	9.00	N8	REGISTER, 4 DIAL	02	NC	EA	8.60	N8	TERM BLK ASSY		
1F1035	13061	W85	EA			MTA TRANSFMR BL	72	11234	Q91	EA	7.00	N8	REGISTER	1M 99G01	37152	W82	EA	8.00	N8	TERM BLK ASSY	
1F1036	13069	W85	EA			MTA TRANSFMR BL	73	81508	Q91	EA	7.00	N8	4D REGISTER	02	NC	EA	9.00	N8	TERMINAL BLOCK		
1F1687	48780	W85	EA			MTA TRANSF L	74	NC	EA	25.00	N8	REGISTER, 4 DIAL	02	NC	EA	9.00	N8	TERMINAL BLOCK			
1F1688	51161	W85	EA			1.5KVA MTA TRNS BL	76	NC	EA	25.00	N8	REGISTER, 4 DIAL	1M 103G01	18455	Q91	EA	8.60	N8	TERMINAL BLOCK		
1F1690	48143	W85	EA			MTA TRANSF L	77	NC	EA	25.00	N8	REGISTER, 4 DIAL	02	88313	Q91	EA	9.60	N8	TERMINAL BLOCK		
1F1696	51164	W85	EA			MTA TRANSF L	78	88298	Q91	EA	9.00	N8	REGISTER	1M 116G07	33550	W65	EA			S METER SOCKET	
1F1701	51220	W85	EA			MTA TRANSF L	79	NC	EA	7.00	N8	REGISTER, 4 DIAL	08	83072	Q91	EA			S-S SOCKET		
1F1726	40232	W85	EA			SC TRANSFMR	80	NC	EA	7.00	N8	REGISTER, 4 DIAL	1M 123G07	19824	W82	EA			S 2W YER SOCKET		
1F1997	84717	W85	EA			MTC TRANSF L	81	NC	EA	25.00	N8	REGISTER, 4 DIAL	08	88314	Q91	EA			LOCKET		
1F2034	29254	W85	EA			MTA TRANSF R	82	11235	Q91	EA	9.00	N8	REGISTER, 4 DIAL	13	33188	W30	EA			TYPE S ROUND SOCKET	
1F2185	34538	W85	EA			MTA TRANSF R	83	88299	Q91	EA	7.00	N8	REGISTER			W38					
1F2186	34899	W85	EA			MTA TRANSF R	84	11238	Q91	EA	9.00	N8	REGISTER, 4 DIAL			W50					
1F2188	36408	W85	EA			MTA TRANSF BL	85	NC	EA	9.00	N8	REGISTER, 4 DIAL			W82						
1F2189	34447	W85	EA			MTA TRANSF R	86	NC	EA	9.00	N8	REGISTER, 4 DIAL	14	33189	W50	EA				TYPE S ROUND SOCKET	
1F2190	34943	W85	EA			MTA TRANSF BL	87	NC	EA	25.00	N8	REGISTER, 4 DIAL			W60						
1F2191	34484	W85	EA			MTA TRANSF R	88	NC	EA	7.00	N8	REGISTER, 4 DIAL			W72						
1F2198	34968	W85	EA			MTA TRANSF R	89	NC	EA	7.00	N8	REGISTER, 4 DIAL			W82						
1F2748H01	42856	W16	EA	477.00	MP1	O S WEIGHT	90	NC	EA	7.00	N8	REGISTER, 4 DIAL	15	34847	W60	EA				SOCKET	
02	42857	W16	EA	144.00	MP1	O S RETAINER	91	NC	EA	25.00	N8	REGISTER, 4 DIAL			W72						
03	42858	W16	EA	487.00	MP1	O S BODY	92	NC	EA	25.00	N8	REGISTER, 4 DIAL	37	33319	W50	EA				TYPE S VERTICAL SKT	
1F3025	82744	W85	EA			MTA TRANSF L	93	NC	EA	9.00	N8	REGISTER, 4 DIAL			W60						
1F3050	10205	W85	EA			50KVA MTA TRANSF L	94	NC	EA	9.00	N8	REGISTER, 4 DIAL			W82						
1F3052	10207	W85	EA			50KVA MTA TRANSF L	95	NC	EA	9.00	N8	REGISTER, 4 DIAL	38	33327	W29	EA				TYPE S VERTICAL SKT	
1F3053	10208	W85	EA			100KVA MTA TRANSF L	96	88300	Q91	EA	9.00	N8	REGISTER			W50					
1F3054	10209	W85	EA			200KVA MTA TRANSF L	97	NC	EA	9.00	N8	REGISTER, 4 DIAL			W82						
1F3932	33702	W43	EA			200VA MTA TRANSF	98	NC	EA	9.00	N8	REGISTER, 4 DIAL	1M 124G07	31345	W33	EA				METER SOCKETS	
1F3959	82746	W85	EA			MTC TRANSF L	99	NC	EA	25.00	N8	REGISTER, 4 DIAL	08	83073	Q91	EA				SOCKET	
1F4016	42473	W85	EA			TRANSFORMER	1L 23H04	88301	Q91	EA	2.58	N8	NAME PLATE	11	88315	Q91	EA				LOCKET
1K 42P01	11142	Q91	EA	12.00	N8	TERMINAL BLOCK	1L 28G02	33367	W10	EA			SEALING RING	13	33219	Q91	EA				TYPE S ROUND SOCKET
1K 50P01	18341	Q91	EA	8.00	N8	TERMINAL BLOCK															
1L 26G01	33144	W82	EA	3.80	N8	SHAFT ASSEMBLY															
03	88280	Q91	EA	9.00	N8	DISC SHAFT															
09	88281	Q91	EA	9.00	N8	DISC SHAFT ASSY															
1L 12G01	18344	Q91	EA	17.00	N8	BASE ASSY															
1L 20G01	93890	Q91	EA	9.00	N8	RED RR 333 1/3															
02	81365	Q91	EA	9.00	N8	REGISTER															
03	81363	Q91	EA	7.00	N8	REGISTER															
04	81366	Q91	EA	9.00	N8	REGISTER															
05	88282	Q91	EA	25.00	N8	REGISTER															
06	81365	Q91	EA	9.00	N8	REGISTER	03	33368	W10	EA			SEALING RING								
08	88283	Q91	EA	9.00	N8	REGISTER															
09	NC	EA	25.00	N8	REGISTER, 4 DIAL																
10	88284	Q91	EA	25.00	N8	REGISTER	1L 38P01	94022	Q91	EA	3.50	N8	TERMINAL BLOCK	17	81624	Q91	EA	8.00	N8		REGISTER, 5 DIAL
11	81437	Q91	EA	7.00	N8	REGISTER	1L 39P01	81509	Q91	EA	10.00	N8	TERMINAL BLOCK	18	88318	Q91	EA	4.00	N8		REGISTER
12	88285	Q91	EA	25.00	N8	REGISTER	1L 40P01	18379	Q91	EA	.80	N8	BRACKET	19	88319	Q91	EA	8.00	N8		REGISTER, 5 DIAL
13	NC	EA	25.00	N8	REGISTER, 4 DIAL	1L 02	18380	Q91	EA	.80	N8	BRACKET	20	NC	EA	8.00	N8		REGISTER, 5 DIAL		
14	88286	Q91	EA	9.00	N8	REGISTER	1L 41P01	88302	Q91	EA	5.20	N8	RING SOCKET	26	88320	Q91	EA	10.00	N8		REGISTER
15	81439	Q91	EA	9.00	N8	REGISTER	1L 46G01	33147	Q91	EA	5.60	N8	BASE PLATE	28	88321	Q91	EA	4.00	N8		REGISTER

Do Not Use "HREF" For Tops

STYLE NO.	RAMAD	WH	U/M	PRICE \$	DIS SYM	DESCRIPTION	STYLE NO.	RAMAD	WH	U/M	PRICE \$	DIS SYM	DESCRIPTION	STYLE NO.	RAMAD	WH	U/M	PRICE \$	DIS SYM	DESCRIPTION	
6E207	53235	W85	EA			EP 5KVA TRANS F	6E3016	10785	W72	EA			EPT 6KVA TRANSFMR F	6E4397	75119	W85	EA			30KVA EPT TRANSF	
6E209	53348	W72	EA			EP 10KVA TRANS F			W85					6E4398	75120	W72	EA			30KVA EPT TRANSF	
		W85					6E3017	10782	W72	EA			EPT 3KVA TRANSFMR F	6E4399	63046	W85	EA			30KVA EPT TRANSF	
6E210	54181	W85	EA			EP 25KVA TRANS E SUP BY 6E3570	6E3047	10792	W85	EA			EPT 6KVA TRANSFMR F	6E4400	75122	W85	EA			30KVA EPT TRANSF	
6E211	54190	W85	EA			EP 5KVA TRANSF E SUP BY 6E3571	6E3231	40220	W85	EA			EP 25KVA TRANSFR	6E441	53335	W85	EA			EP 5KVA TRANSF B	
6E216	54106	W10	EA			EP .25KVA TRANSF E	6E3232	40221	W85	EA			EP 3KVA TRANSFMR	6E446	53476	W72	EA			EP 3KVA TRANSF A	
		W30					6E336	54224	W72	EA			EP 7.5KVA TRANS F			W85					
		W50					6E3498	18155	W85	EA			30KVA EPT TRANSFR	6E4682	68185	W85	EA			EP 50KVA TRANSFMR	
		w66											SUP BY 6E4398	6E4683	68204	W85	EA			EP 100KVA TRANSFMR	
		W72					6E352	54114	W10	EA			EP 15KVA TRANSF F	6E4684	68206	W85	EA			EP 150KVA TRANSFMR	
		W74							W30					6E4685	26644	W85	EA			EP 50KVA TRANSFMR	
		W85							W50					6E4686	26645	W85	EA			EP 100KVA TRANSFMR	
6E217	54115	W10	EA			EP 5KVA TRANSF E			W56					6E4687	26646	W85	EA			EP 150KVA TRANSFMR	
		w30							W72					6E4688	26647	W85	EA			EP 50KVA TRANSFMR	
		W50							W74					6E4689	26648	W85	EA			EP 100KVA TRANSFMR	
		W66							W85					6E4690	26649	W85	EA			EP 150KVA TRANSFMR	
		W72					6E354	54046	W10	EA			EP 15KVA TRANSF F	6E478	54232	W72	EA			EP 10KVA TRANSF F	
		W74							W30							W85					
		w85							W50					6E482	54173	W72	EA			EP 7.5KVA TRANS B	
6E218	54123	W10	EA			EP 75KVA TRANSF BE			W66					6E612	54205	W85	EA			EP 3KVA TRANSF A	
		W30					6E3570	38648	W72	EA			EP 250VA TRANSFMR	6E619	53290	W85	EA			EP 7.5KVA TRANS B	
		W50							W85					6E668	53334	W72	EA			EP 7.5KVA TRANSF F	
		W66							W85							W85					
		W72					6E3571	38650	W72	EA			EP 500VA TRANSFMR	6E726	53379	W85	EA			EP 10KVA TRANS F	
		W74							W85					6E771	54165	W72	EA			EP 5KVA TRANS B	
		W85					6E3572	38651	W72	EA			EP 750VA TRANSFMR			W85					
6E219	54132	W10	EA			EP 1KVTRANSFM AE			W85					6E840	53378	W72	EA			EP 15KVA TRANSF F	
		W30					6E3573	38652	W72	EA			EP 1KVA TRANSFMR			W85					
		W50							W85					6E882	54054	W10	EA			EP 25KVA TRANSF F	
		W66					6E3574	38653	W72	EA			EP 1.5KVA TRANSFR			W30					
		W72							W85							W72					
		W74					6E3575	38654	W72	EA			EP 2KVA TRANSFMR	6E884	10277	W10	EA			EP 25KVA TRANSF F	
		W85							W85							W30					
6E220	54140	W10	EA			EP 1.5KVA TRANSF BE	6E3576	38655	W72	EA			EP 3KVA TRANSFMR			W72					
		W30							W85					6E932	10278	W10	EA			EP 25KVA TRANSF F	
		W50					6E3577	38658	W72	EA			EP 5KVA TRANSFMR			W85					
		W66							W85					6E933	10188	W10	EA			EP 25KVA TRANSFMR F	
		W72					6E3578	38659	W72	EA			EP 7.5KVA TRANSFR			W30					
		W74							W85							W66					
		W85					6E358	54240	W72	EA			EP 15KVA TRANSF F			W72					
6E221	54148	W10	EA			EP 2KVA TRANSF BE	6E360	54197	W10	EA			EP 15KVA TRANS F			W74					
		W30							W50					6E979	10632	W85	EA			EPT 15KVA TRANSF F	
		W50							W66					6E980	25168	W10	EA			EPT TRANSFORMER F	
		W66							W72							W30					
		W72							W85							W50					
		W74					6E366	55687	W10	EA			EP TRANSF F			W66					
		W85							W85							W72					
6E222	54087	W10	EA			EP 5KVA TRANSF F	6E4026	68250	W10	EA			5KVA MPC TRANSFMR			W74					
		W30							W85					6E981	10630	W85	EA			EPT 15KVA TRANSF F	
		W50							W85					6E982	15214	W10	EA			EP 15KVA TRANSF F	
		W66							W85							W30					
		W72							W85							W50					
		W74							W85							W66					
6E224	54097	W10	EA			EP 7.5KVA TRANSF F	6E4027	68251	W10	EA			10KVA MPC TRANSF			W72					
		W30							W30					6F320	23238	W85	EA			AP-60 3KVA TRANS	
		W50							W50					6F321	23239	W85	EA			AP-60 5KVA TRANS	
		W66							W66					6F322	23240	W85	EA			AP-60 7.5KVA TRANS	
		W72							W72							W85					
		W74							W85					6F323	23242	W85	EA			AP-60 10KVA TRANS	
6E225	54105	W10	EA			EP 10KVA TRANSF F	6E4028	68253	W10	EA			15KVA MPC TRANSF	6F324	23243	W85	EA				AP-60 15KVA TRANS
		W30							W30					7A1246G01	43076	W84	-X	QUOTE	H1		
		W50							W50					7B2021G01	19758	W57	EA	QUOTE	R1	TRA RELAY	
		W66							W66					7B3891H03	19759	W57	EA	12.50	R1	HALF FLANGE	
		W72							W72							W85					
		W74							W85					7B4618G04	54780	W81	EA			FT TEST PLUG	
		W85					6E4029	68257	W10	EA			25KVA MPC TRANSF	7B4865G15	10870	W81	EA	17.00	N1	180 OHM RESISTOR	
6E226	53273	W85	EA			EP 3KVA TRANSF E			W30					7B5593G06		L2	EA	164.00	LM	BLOWER	
6E227	53282	W85	EA			EP 5KVA TRANSF A			W50					7B9600G03	80003	Q11	EA	56.50	CC1	15KV INSULATOR	
		W85							W50					7C2033G01	L2	EA		31.00	LM	VENT COVER MC612	
6E229	53299	W85	EA			EP 10KVA TRANSF F			W66					7C2040G01	L2	EA		33.50	LM	VENT COVER MC614	
6E230	53326	W85	EA			EP 3KVA TRANSF AE	6E4031	18367	W85	EA			15KVA MPC TRANSFR	7C2145G01	L2	EA		30.50	LM	VENT COVER MC610	
6E273	53597	W72	EA			EP 3KVA TRANSF A	6E4032	18374	W85	EA			22.5KVA MPC TRANS	7C2220G01	32180	Q26	EA	209.00	LM	SHAFT MC602	
		W85							W85					7C2426G01	L2	EA		76.50	LM	POLE PIECE MC604	
6E299	54215	W85	EA			EP 5KVA TRANSF F	6E4033	18382	W85	EA			30KVA MPC TRANSFR	7C2431G01	L2	EA		75.00	LM	POLE PIECE MC608	
6E3009	10779	W10	EA			EPT 6KVA TRANSFMR F	6E4034	53349	W85	EA			EP 7.5KVA TRANSF B	7C2437G01	L2	EA		26.50	LM	VENT COVER MC604	
		W30					6E404	53349	W85	EA			EP 5KVA TRANSF B	7C2438G01	32181	Q26	EA	259.00	LM	SHAFT MC604	
		W50					6E416	53619	W85	EA			EP 3KVA TRANSF B	7C2448H01	L2	EA		113.00	LM		

Library of Instruction Leaflets for Control Products Low Voltage Breakers Bus Duct



S.A. 46-A

INSTRUCTION LEAFLETS IN THIS PUBLICATION ARE CURRENT AS OF DATE OF ISSUE. COPIES OF THESE LEAFLETS ARE AVAILABLE ONLY FROM MARKETING COMMUNICATIONS DEPT., BEAVER PLANT

Section 8100 Manual Control

MS Starter	I.L. 12987-F①
MS Starter, 2-Speed	I.L. 13085
MS Starter, Pilot Light Kit	I.L. 13246
B 100 Manual Motor Starter	I.L. 14890-C①

Section 8200 Magnetic Control

Contactors

Sizes 00, 0, 1 Non-Reversing	I.L. 13144-C
Sizes 00, 0, 1, 2 Hor. and Vert. Rev.	I.L. 13187-C
Size 2, Non-Reversing	I.L. 13158-B
Sizes 3, 4 Non-Reversing	I.L. 13238-C①
Sizes 3, 4 Hor. and Vert. Rev.	I.L. 13241-B
Dc Actuated, Size 00-4	I.L. 13629
Ac Lighting Contactors	I.L. 13719-A①
35 Amp. Definite Purpose Contactor (2, 3, 4, 5 Poles)	I.L. 14808-A①
35 Amp. Reversing and 2-Speed Definite Purpose Contactors	I.L. 14844①
100 Amp. Definite Purpose Contactor	I.L. 14845①

Starters

Size 00, Non-Reversing/Block Overload	I.L. 14526-B①
Sizes 00, 0, 1, 1-1/2, Non-Rev./1 Pole Overload	I.L. 13145-D①
Sizes 0, 1 Non-Rev./Block Overload	I.L. 13633-B①
Sizes 0, 1 Horizontal Rev./1 Pole Overload	I.L. 13192-B①
Sizes 0, 1 Horizontal Rev./Block Overload	I.L. 13194-E①
Sizes 0, 1 Vert. Rev./Block Overload	I.L. 13195-C①
Size 2 Non-Rev./Single Pole Overload	I.L. 13173-B①
Size 2 Non-Rev./Block Overload	I.L. 13678-A①
Size 2 Hor. Rev./1 Pole Overload	I.L. 13196-B①
Size 2 Hor. Rev./Block Overload	I.L. 13197-B①
Size 2 Vert. Rev./Block Overload	I.L. 13198-B①

Sizes 3, 4 Non-Rev./1 Pole Overload	I.L. 13239-C①
Sizes 3, 4 Non-Rev./Block Overload	I.L. 13240-C①
Sizes 3, 4 Hor. Rev./1 Pole Overload	I.L. 13242-C①
Sizes 3, 4 Hor. Rev./Block Overload	I.L. 13243-C①
Sizes 3, 4 Vert. Rev./Block Overload	I.L. 13244-B

Overload Relays

Sizes 00, 1, 2	I.L. 14567①
Sizes 1, 2 Block	I.L. 14568-A①
Sizes 3, 4 Single Pole	I.L. 14569①
Sizes 3, 4 Block	I.L. 14570-A①
Sizes 0-4, 1 Pole Fast Trip	I.L. 13676-C①
3 Pole Modular Overload Relay	I.L. 14973-A①

Field Modification Kits, Accessories

L-56 Electrical Interlock	I.L. 13134-B①
LC-56 Coil Clearing Kit	I.L. 13661-A
SS-56 Surge Suppressor	I.L. 13747
TON-56 and TOF-56 Time Delay Interlock	I.L. 13750
Start-Stop Pushbutton Kit	I.L. 13200-B①
Selector Switch Kit	I.L. 13201-B①
Indicating Light Kit	I.L. 13202-B①
Reset Oper. Kit for Panel Mounted Starters	I.L. 13203-C
Latch Mechanism for A200 Contactor	I.L. 13619-A
Pole Adder for Sizes 00-2 Contactor or Horizontal Starter	I.L. 13620-B
Transformer Kits	I.L. 13651-A
A/200 Mechanical Interlock	I.L. 14597-B①
RSK-B12 Reset Operator Kit for A/200 Starters	I.L. 14507①
Mechanical Interlock for Definite Purpose Contactors	I.L. 14592①
BOP-2 and BOP-4 Brownout Protectors	I.L. 14902-A①

Section 11-000 Type N Magnetic Control

Contactors

Size 1, Non-Reversing, 2-5 Poles	I.L. 12479-A
Size 1, Reversing, 3, 4, Poles	I.L. 12510-A
Size 2, Non-Reversing, 2-5 Poles	I.L. 12481-B
Size 2, Reversing, 3, 4, Poles	I.L. 12512-A
Dc Operated, Sizes 3, 4; 2-5 Poles	I.L. 15-825-1-A

① Changed or added since previous issue.

www.ElectricalPartManuals.com