

Westinghouse

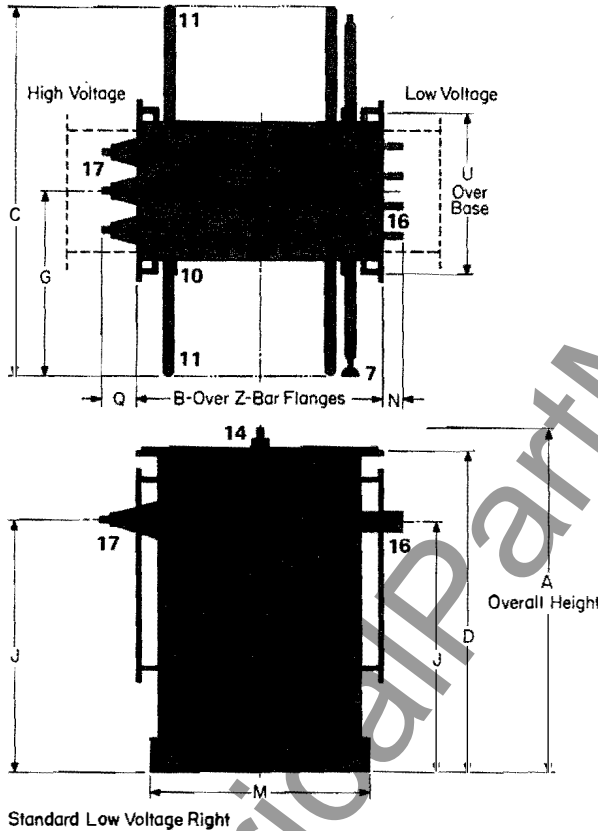


Power Centers

Oil or Inerteen

Standardized, 500-2500 Kva
Three Phase, 60 Hertz

Liquid Filled Power Center Transformers



Description: Numbers correspond to those on the drawing.

1. Tank
2. Cover — welded to tank
3. Base — jacking area at ends
4. Ground pad — 1 total
5. Drain valve — 1 inch valve for combination lower filter press connection, complete drain and provision for sampling
6. Diagram instruction plate
7. Dial type thermometer with alarm contacts when required
8. Magnetic liquid gauge with alarm contacts when required
9. Vacuum pressure gauge
10. Lifting hooks
11. Cooling tubes
12. Air test valve
13. 6½ inch dia. handhole — welded on cover or automatic reset mechanical relief device with alarm contacts
14. Tap changer operating mechanism with provision for padlocking
15. 1 inch upper filter & filling plug connection
16. L.V. bushing assembly
17. H.V. bushings — 3 total

General Information

The dimensions and weights in the following tables are for use with T. C. S. 47-376, page 1 for standard ratings as defined by standard electrical, mechanical, tests and accessories in Price List 47-320, pages 2 and 3. For specials, refer to South Boston Plant.

These Power Center Transformers are three phase, 60 Hertz, 65°C or 55°C (see tables) rise, indoor or outdoor with aluminum, rectangular sheet windings and 30°C average ambient with 40°C max. rise over 24 hours.

Outline as shown is for standard Z-Bar/Z-Bar flanges. When high voltage bus throat is required, add 9 inches to B dimension. When LV bus throat is required, add 8½ inches to B dimension. Dotted line indicates approximate location of Bus Throats if required.

Specification

Kva _____ H.V. _____, L.V. _____
 Liquid: Oil Inerteen, Rise _____ °C, Aluminum Windings,
 L.V. Right (Std.), L.V. Left, Total Transformer Weight _____

Dimensions

A	B	C	D	G	J	M	Q	N	U

Customer _____ Address _____ G.O. _____
 P.O. Number _____ Item _____ Line No.
 Job _____ Approval

Certification by South Boston only. _____ Date _____ Construction or Installation
 Other

Power Centers

Oil or Inerteen

Standardized, 500-2500 Kva
Three Phase, 60 Hertz

Dimensions in Inches (Approximate)
60 Hertz, Standard BIL, Standard Sound Level, Standard Impedance, Standard Losses, Standard Bushing Height,
Aluminum Coils, Standard Taps

500 Kva, 65°C

High Voltage Ratings	Low Voltage Ratings	Dimensions					Transformer Total Weight in Lbs.	
		B ①	C ②	G	M	U	Oil	Inerteen
2400	480D	44.50	58.50	29.25	40.25	33.50	4725	5565
2400	480Y	44.50	58.00	29.00	40.25	33.00	4300	5095
2400	240D	44.50	57.50	28.75	40.25	32.50	4200	4965
2400	208Y	44.50	59.50	28.75	40.25	32.50	4325	5120
4160	480D	44.50	58.50	29.25	40.25	33.50	4675	5515
4160	480Y	44.50	58.00	29.00	40.25	33.00	4200	4980
4160	240D	44.50	57.50	28.75	40.25	32.50	4150	4900
4160	208Y	44.50	59.50	28.75	40.25	32.50	4350	5190
4800	480D	44.50	56.50	27.25	40.25	33.50	4750	5590
4800	480Y	44.50	54.00	27.00	40.25	33.00	4400	5195
4800	240D	44.50	57.50	28.75	40.25	32.50	4350	5160
4800	208Y	44.50	57.50	28.75	40.25	32.50	4375	5215
6900	480D	44.50	60.00	29.00	40.25	33.00	4600	5425
6900	480Y	44.50	61.00	29.50	40.25	34.00	4575	5430
6900	240D	44.50	59.00	29.50	40.25	34.00	4575	5415
6900	208Y	44.50	67.50	32.75	40.25	32.50	4475	5300
7200	480D	44.50	61.50	29.75	40.25	34.50	4725	5580
7200	480Y	44.50	60.00	29.00	40.25	33.00	4400	5195
7200	240D	44.50	53.50	24.75	40.25	32.50	4600	5440
7200	208Y	45.50	61.50	30.75	41.25	32.50	4450	5290
12000	480D	45.00	56.00	26.00	40.75	35.00	4950	5880
12000	480Y	45.00	62.00	30.00	40.75	35.00	4700	5600
12000	240D	45.00	61.50	29.75	40.75	34.50	4525	5380
12000	208Y	45.00	66.00	33.00	40.75	33.00	4500	5355
12470	480D	45.00	60.50	30.25	40.75	35.50	4825	5740
12470	480Y	45.00	58.50	29.25	40.75	33.50	4525	5365
12470	240D	45.00	61.50	29.75	40.75	34.50	4550	5420
12470	208Y	45.00	62.00	31.00	40.75	33.00	4725	5640
13200	480D	45.00	60.00	30.00	40.75	35.00	4850	5765
13200	480Y	45.00	58.50	29.25	40.75	33.50	4575	5430
13200	240D	45.00	61.50	29.75	40.75	34.50	4650	5535
13200	208Y	45.00	63.00	31.50	40.75	34.00	4525	5410
13800	480D	45.00	60.50	30.25	40.75	35.50	4850	5765
13800	480Y	45.00	61.50	29.75	40.75	34.50	4650	5535
13800	240D	45.00	59.50	29.75	40.75	34.50	4550	5405
13800	208Y	45.00	62.00	31.00	40.75	33.00	4700	5615

Fixed Dimensions

A ③	D ③	J	N	Q
79.06	74.00	55.00	2.94	7.32

- ① B Dimension ± 1.00
- ② C Dimension ± 2.00
- ③ Nominal - will not exceed 90 inches.

Dimensions shown for Indoor or Outdoor Oil with OA Cooling.
For FA Cooling Add 4.75 Inches to "A" Dimension. For Inerteen Add 1.75 Inches to "A" Dimension.

Westinghouse



Power Centers

Oil or Inerteen

Standardized, 500-2500 Kva
Three Phase, 60 Hertz

Dimensions in Inches (Approximate)

60 Hertz, Standard BIL, Standard Sound Level, Standard Impedance, Standard Losses, Standard Bushing Height, Aluminum Coils, Standard Taps

500 Kva, 55° C

High Voltage Ratings	Low Voltage Ratings	Dimensions					Transformer Total Weight in Lbs.	
		B ①	C ②	G	M	U	Oil	Inerteen
2400	480D	45.00	62.50	31.25	40.75	33.50	4800	5670
2400	480Y	44.50	64.00	31.00	40.25	33.00	4825	5730
2400	240D	44.50	64.00	31.00	40.25	33.00	4725	5580
2400	208Y	44.50	70.00	35.00	40.25	33.00	4775	5680
4160	480D	44.50	64.50	31.25	40.25	33.50	4875	5745
4160	480Y	44.50	66.00	33.00	40.25	33.00	4675	5530
4160	240D	44.50	66.00	33.00	40.25	33.00	4625	5465
4160	208Y	44.50	67.50	32.75	40.25	32.50	4650	5520
4800	480D	44.50	62.50	31.25	40.25	33.50	4825	5730
4800	480Y	44.50	62.00	31.00	40.25	33.00	4825	5680
4800	240D	45.00	61.50	30.75	40.75	32.50	4625	5495
4800	208Y	44.50	65.50	32.75	40.25	32.50	4900	5815
6900	480D	46.00	63.50	31.75	41.75	34.50	5050	5580
6900	480Y	45.00	67.00	33.50	40.75	34.00	5125	6070
6900	240D	44.50	64.00	31.25	40.25	33.50	5250	6210
6900	208Y	44.50	73.00	35.50	40.25	34.00	4825	5755
7200	480D	46.00	67.50	33.75	41.75	34.50	5000	5945
7200	480Y	44.50	67.00	33.50	40.25	34.00	4825	5730
7200	240D	45.00	67.00	33.50	40.75	34.00	4800	5705
7200	208Y	44.50	77.00	37.50	40.25	34.00	4700	5600
12000	480D	46.50	60.00	30.00	42.25	35.00	5100	6060
12000	480Y	45.00	70.00	34.00	40.75	35.00	4850	5780
12000	240D	45.00	71.50	35.75	40.75	34.50	4725	5625
12000	208Y	45.00	75.50	37.75	40.75	34.50	4800	5730
12470	480D	47.00	63.50	31.75	42.75	34.50	5000	5945
12470	480Y	45.00	70.00	34.00	40.75	35.00	4875	5805
12470	240D	45.00	65.50	31.75	40.75	34.50	4900	5830
12470	208Y	45.00	79.50	39.75	40.75	34.50	4850	5810
13200	480D	48.00	63.50	31.75	43.75	34.50	5150	6140
13200	480Y	45.00	65.50	31.75	40.75	34.50	4950	5880
13200	240D	45.00	69.50	33.75	40.75	34.50	4950	5910
13200	208Y	45.00	77.50	37.75	40.75	34.50	4825	5755
13800	480D	46.50	63.50	31.75	42.25	34.50	5075	6020
13800	480Y	45.00	66.00	32.00	40.75	35.00	4975	5905
13800	240D	45.00	65.50	31.75	40.75	34.50	5050	6040
13800	208Y	45.00	71.50	35.75	40.75	34.50	4950	5910

Fixed Dimensions

A ③	D ③	J	N	Q
79.06	74.00	55.00	2.94	7.32

① B Dimension ± 1.00

② C Dimension + 2.00

③ Nominal — will not exceed 90 inches.

Dimensions shown for Indoor or Outdoor Oil with OA Cooling.

For FA Cooling Add 4.75 Inches to "A" Dimension. For Inerteen Add 1.75 Inches to "A" Dimension.

June, 1971

Supersedes TCS 47-376, pages 3 and 4, dated January, 1967.
E, D/2082/DB

Power Centers

Oil or Inerteen

Standardized, 500-2500 Kva
Three Phase, 60 Hertz

Dimensions in Inches (Approximate)
60 Hertz, Standard BIL, Standard Sound Level, Standard Impedance, Standard Losses, Standard Bushing Height, Aluminum Coils, Standard Taps

750 Kva, 65° C

High Voltage Ratings	Low Voltage Ratings	Dimensions					Transformer Total Weight in Lbs.	
		B ①	C ②	G	M	U	Oil	Inerteen
2400	480D	45.00	77.50	37.75	40.75	34.50	5425	6355
2400	480Y	44.50	75.00	37.50	40.25	34.00	5250	6155
2400	240D	44.50	79.50	38.75	40.25	36.50	5500	6490
2400	208Y	45.00	81.50	40.75	40.75	36.50	5450	6410
4160	480D	45.50	75.50	37.75	41.25	34.50	5425	6370
4160	480Y	44.50	76.50	37.25	40.25	33.50	5250	6155
4160	240D	44.50	77.50	38.75	40.25	36.50	5325	6270
4160	208Y	44.50	81.50	40.75	40.25	36.50	5475	6435
4800	480D	45.00	75.50	37.75	40.75	34.50	5400	6330
4800	480Y	44.50	81.00	39.50	40.25	34.00	5200	6070
4800	240D	44.50	77.50	38.75	40.25	36.50	5525	6500
4800	208Y	44.50	79.50	38.75	40.25	36.50	5600	6620
6900	480D	46.50	73.00	36.50	42.25	36.00	5750	6770
6900	480Y	47.00	70.50	34.25	42.75	35.50	5625	6600
6900	240D	46.00	75.50	36.75	41.75	36.50	5675	6665
6900	208Y	46.00	77.50	38.75	41.75	36.50	5675	6695
7200	480D	47.50	69.00	34.50	43.25	36.00	5850	6885
7200	480Y	47.50	66.50	32.25	43.25	35.50	5825	6860
7200	240D	47.00	65.50	32.75	42.75	36.50	5750	6800
7200	208Y	46.00	77.50	38.75	41.75	36.50	5625	6630
12000	480D	46.50	73.00	36.50	42.25	36.00	5725	6745
12000	480Y	46.50	69.00	34.50	42.25	36.00	5600	6590
12000	240D	46.50	69.50	34.75	42.25	36.50	5625	6630
12000	208Y	46.00	77.50	38.75	41.75	36.50	5700	6720
12470	480D	46.50	73.00	36.50	42.25	36.00	5725	6715
12470	480Y	46.00	80.50	40.25	41.75	35.50	5500	6475
12470	240D	46.00	81.50	40.75	41.75	36.50	5575	6565
12470	208Y	45.50	75.50	36.75	41.25	36.50	5600	6605
13200	480D	47.00	67.00	32.50	42.75	36.00	5875	6910
13200	480Y	46.00	75.00	36.50	41.75	36.00	5600	6560
13200	240D	46.50	69.50	34.75	42.25	36.50	5550	6540
13200	208Y	45.50	75.50	36.75	41.25	36.50	5550	6540
13800	480D	46.50	71.00	34.50	42.25	36.00	5750	6755
13800	480Y	47.00	71.00	34.50	42.75	36.00	5775	6795
13800	240D	46.00	75.50	36.75	41.75	36.50	5725	6730
13800	208Y	46.00	77.50	38.75	41.75	36.50	5725	6760

Fixed Dimensions

A ③	D ③	J	N	Q
79.06	74.00	55.00	2.94	7.32

- ① B Dimension ± 1.00
- ② C Dimension + 2.00
- ③ Nominal — will not exceed 90 inches.

Dimensions shown for Indoor or Outdoor Oil with OA Cooling.
For FA Cooling Add 4.75 Inches to "A" Dimension. For Inerteen Add 1.75 Inches to "A" Dimension.

Westinghouse



Power Centers

Oil or Inerteen

Standardized, 500-2500 Kva
Three Phase, 60 Hertz

Dimensions in Inches (Approximate)
60 Hertz, Standard BIL, Standard Sound Level, Standard Impedance, Standard Losses, Standard Bushing Height, Aluminum Coils, Standard Taps

750 Kva, 55°C

High Voltage Ratings	Voltage Voltage Ratings	Dimensions					Transformer Total Weight in Lbs.	
		B ①	C ②	G	M	U	Oil	Inerteen
2400	480D	47.50	83.00	41.50	43.25	34.00	6025	7090
2400	480Y	48.00	81.00	39.50	43.75	34.00	5850	6885
2400	240D	47.50	83.50	40.75	43.25	36.50	5975	7100
2400	208Y	47.00	85.50	42.75	42.75	36.50	6000	7110
4160	480D	48.00	81.00	39.50	43.75	34.00	6125	7220
4160	480Y	46.50	81.00	39.50	42.25	34.00	5925	6945
4160	240D	48.00	77.50	38.75	43.75	36.50	5925	7035
4160	208Y	47.50	85.50	42.75	43.25	36.50	5925	7005
4800	480D	46.50	85.50	41.75	42.25	34.50	5950	7000
4800	480Y	46.00	87.00	43.50	41.75	34.00	5725	6715
4800	240D	46.50	85.50	42.75	42.25	36.50	5975	7070
4800	208Y	47.50	83.50	40.75	43.25	36.50	6100	7210
6900	480D	48.00	82.50	40.25	43.75	35.50	6275	7400
6900	480Y	49.00	81.00	40.50	44.75	36.00	6075	7185
6900	240D	47.00	87.50	42.75	42.75	36.50	5850	6915
6900	208Y	47.50	85.50	42.75	43.25	36.50	6075	7200
7200	480D	49.00	79.00	38.50	44.75	36.00	6150	7275
7200	480Y	48.00	82.50	40.25	43.75	35.50	6125	7235
7200	240D	48.50	81.50	40.75	44.25	36.50	6150	7305
7200	208Y	47.50	83.50	40.75	43.25	36.50	6125	7265
12000	480D	49.50	83.00	40.50	45.25	36.00	6300	7455
12000	480Y	49.50	79.00	38.50	45.25	36.00	6050	7160
12000	240D	48.50	81.50	40.75	44.25	36.50	5950	7060
12000	208Y	47.50	87.50	42.75	43.25	36.50	6200	7340
12470	480D	48.00	83.00	40.50	43.75	36.00	6225	7350
12470	480Y	49.50	77.00	38.50	45.25	36.00	6100	7210
12470	240D	48.00	85.50	42.75	43.75	36.50	5850	6945
12470	208Y	48.50	81.50	40.75	44.25	36.50	6250	7405
13200	480D	49.50	81.00	40.50	45.25	36.00	6275	7430
13200	480Y	48.00	80.50	40.25	43.75	35.50	6225	7350
13200	240D	48.00	77.50	38.75	43.75	36.50	6200	7355
13200	208Y	48.00	85.50	42.75	43.75	36.50	6125	7265
13800	480D	49.50	77.00	38.50	45.25	36.00	6375	7530
13800	480Y	49.00	81.00	40.50	44.75	36.00	6125	7250
13800	240D	49.00	83.50	40.75	44.75	36.50	6150	7305
13800	208Y	48.00	85.50	42.75	43.75	36.50	6175	7330

Fixed Dimensions

A ③	D ③	J	N	Q
79.06	74.00	55.00	2.94	7.32

- ① B Dimension ± 1.00
- ② C Dimension + 2.00
- ③ Nominal - will not exceed 90 inches.

Dimensions shown for Indoor or Outdoor Oil with OA Cooling.
For FA Cooling Add 4.75 Inches to "A" Dimension. For Inerteen Add 1.75 Inches to "A" Dimension.

Power Centers

Oil or Inerteen

Standardized, 500-2500 Kva
Three Phase, 60 Hertz

Dimensions in Inches (Approximate)

60 Hertz, Standard BIL, Standard Sound Level, Standard Impedance, Standard Losses, Standard Bushing Height, Aluminum Coils, Standard Taps

1000 Kva, 65°C

High Voltage Ratings	Low Voltage Ratings	Dimensions						Transformer Total Weight in Lbs.	
		B ①	C ②	G	M	U	N	Oil	Inerteen
2400	480D	47.50	84.00	42.00	43.25	35.00	2.94	6650	7745
2400	480Y	46.00	91.50	45.75	41.75	34.50	2.94	6225	7245
2400	240D	46.00	95.50	46.75	41.75	36.50	2.94	6525	7620
2400	208Y	51.50	81.50	40.75	47.25	36.50	4.06	6975	8265
4160	480D	49.00	78.50	38.25	44.75	35.50	2.94	6650	7760
4160	480Y	48.50	80.00	40.00	44.25	35.00	2.94	6500	7565
4160	240D	46.50	85.50	42.75	42.25	36.50	2.94	6375	7455
4160	208Y	53.00	71.50	34.75	48.75	36.50	4.06	7150	8425
4800	480D	48.00	80.00	40.00	43.75	35.00	2.94	6600	7710
4800	480Y	46.50	86.00	42.00	42.25	35.00	2.94	6425	7445
4800	240D	46.50	81.50	40.75	42.25	36.50	2.94	6375	7455
4800	208Y	51.50	81.50	40.75	47.25	36.50	4.06	6975	8250
6900	480D	50.50	81.50	40.75	46.25	36.50	2.94	6725	7880
6900	480Y	48.50	79.00	38.50	44.25	36.00	2.94	6650	7760
6900	240D	49.50	81.50	40.75	45.25	36.50	2.94	6675	7800
6900	208Y	53.50	75.50	36.75	49.25	36.50	4.06	6900	8130
7200	480D	50.00	81.00	40.50	45.75	36.00	2.94	6925	8110
7200	480Y	48.50	83.00	40.50	44.25	36.00	2.94	6575	7685
7200	240D	49.00	77.50	38.75	44.75	36.50	2.94	6700	7825
7200	208Y	53.00	75.50	36.75	48.75	36.50	4.06	6800	8000
12000	480D	50.50	81.50	40.75	46.25	36.50	2.94	6725	7880
12000	480Y	50.50	80.00	39.00	46.25	37.00	2.94	6750	7920
12000	240D	49.00	79.50	38.75	44.75	36.50	2.94	6675	7785
12000	208Y	53.00	81.50	40.75	48.75	36.50	4.06	6975	8235
12470	480D	49.50	79.50	38.75	45.25	36.50	2.94	6725	7880
12470	480Y	46.50	74.50	36.25	42.25	35.50	2.94	6975	8145
12470	240D	49.50	79.50	38.75	45.25	36.50	2.94	6775	7930
12470	208Y	53.00	79.50	38.75	48.75	36.50	4.06	7100	8390
13200	480D	50.00	85.50	42.75	45.75	36.50	2.94	6775	7945
13200	480Y	48.00	79.00	38.50	43.75	36.00	2.94	6600	7695
13200	240D	50.00	79.50	38.75	45.75	36.50	2.94	6700	7840
13200	208Y	53.50	77.50	38.75	49.25	36.50	4.06	6825	8040
13800	480D	50.00	81.50	40.75	45.75	36.50	2.94	6875	8060
13800	480Y	49.00	81.00	40.50	44.75	36.00	2.94	6800	7955
13800	240D	48.00	85.50	42.75	43.75	36.50	2.94	6525	7620
13800	208Y	53.00	71.50	34.75	48.75	36.50	4.06	6975	8190

Fixed Dimensions

A ③	D ③	J	Q
79.06	74.00	55.00	7.32

- ① B Dimension ± 1.00
- ② C Dimension + 2.00
- ③ Nominal — will not exceed 90 inches.

Dimensions shown for Indoor or Outdoor Oil with OA Cooling.
For FA Cooling Add 4.75 Inches to "A" Dimension. For Inerteen Add 1.75 Inches to "A" Dimension.

Westinghouse



Power Centers

Oil or Inerteen

Standardized, 500-2500 Kva
Three Phase, 60 Hertz

Dimensions in Inches (Approximate)
60 Hertz, Standard BIL, Standard Sound Level, Standard Impedance, Standard Losses, Standard Bushing Height, Aluminum Coils, Standard Taps

1000 Kva, 55°C

High Voltage Ratings	Low Voltage Ratings	Dimensions						Transformer Total Weight in Lbs.	
		B ①	C ②	G	M	U	N	Oil	Inerteen
2400	480D	50.50	94.00	46.00	46.25	35.00	2.94	6875	8075
2400	480Y	50.50	91.50	45.75	46.25	34.50	2.94	6975	8190
2400	240D	50.50	93.50	46.75	46.25	36.50	4.06	7175	8465
2400	208Y	52.50	95.50	46.75	48.25	36.50	4.06	7375	8695
4160	480D	50.00	99.50	49.75	45.75	34.50	2.94	6850	8035
4160	480Y	50.50	94.00	46.00	46.25	35.00	2.94	6800	7985
4160	240D	50.00	93.50	46.75	45.75	36.50	4.06	6850	8065
4160	208Y	53.00	91.50	44.75	48.75	36.50	4.06	7650	9075
4800	480D	50.00	97.50	47.75	45.75	34.50	2.94	6875	8060
4800	480Y	51.50	99.50	48.75	44.75	36.50	2.94	6950	8150
4800	240D	49.00	99.50	48.75	44.75	36.50	4.06	6975	8220
4800	208Y	52.50	95.50	46.75	48.25	36.50	4.06	7325	8630
6900	480D	51.00	91.00	44.50	46.75	36.00	2.94	7075	8335
6900	480Y	51.50	93.00	46.50	47.25	36.00	2.94	7100	8360
6900	240D	50.50	93.50	46.75	46.25	36.50	4.06	7000	8230
6900	208Y	54.00	89.50	44.75	49.75	36.50	4.06	7675	9070
7200	480D	51.00	93.00	46.50	46.75	36.00	2.94	7275	8565
7200	480Y	51.50	88.50	44.25	47.25	35.50	2.94	7350	8670
7200	240D	51.00	99.50	48.75	46.75	36.50	4.06	7100	8360
7200	208Y	56.00	90.00	45.00	51.75	37.00	4.06	7650	9000
12000	480D	51.00	95.00	46.50	46.75	36.00	2.94	7175	8450
12000	480Y	51.00	95.00	46.50	46.75	36.00	2.94	7125	8370
12000	240D	51.00	95.50	46.75	46.75	36.50	4.06	7050	8310
12000	208Y	52.50	87.50	42.75	48.25	36.50	4.06	7750	9190
12470	480D	52.50	85.50	42.75	48.25	36.50	2.94	7325	8645
12470	480Y	51.00	93.00	46.50	46.75	36.00	2.94	7175	8450
12470	240D	51.50	87.50	42.75	47.25	36.50	4.06	7275	8580
12470	208Y	53.50	89.50	44.75	49.25	36.50	4.06	7525	8890
13200	480D	51.00	97.00	48.50	46.75	36.00	2.94	7075	8320
13200	480Y	51.00	99.00	48.50	46.75	36.00	2.94	7100	8360
13200	240D	51.00	95.50	46.75	46.75	36.50	4.06	7000	8230
13200	208Y	53.50	91.50	44.75	49.25	36.50	4.06	7550	8930
13800	480D	52.00	91.50	44.75	47.75	36.50	2.94	7250	8555
13800	480Y	51.00	93.00	46.50	46.75	36.00	2.94	7150	8425
13800	240D	51.00	99.50	48.75	46.75	36.50	4.06	7200	8475
13800	208Y	54.50	89.50	44.75	50.25	36.50	4.06	7675	9055

Fixed Dimensions

A ③	D ③	J	Q
79.06	74.00	55.00	7.32

- ① B Dimension ± 1.00
- ② C Dimension + 2.00
- ③ Nominal — will not exceed 90 inches.

Dimensions shown for Indoor or Outdoor Oil with OA Cooling.
For FA Cooling Add 4.75 Inches to "A" Dimension. For Inerteen Add 1.75 Inches to "A" Dimension.

Power Centers

Oil or Inerteen

Standardized, 500-2500 Kva
Three Phase, 60 Hertz

Dimensions in Inches (Approximate)

60 Hertz, Standard BIL, Standard Sound Level, Standard Impedance, Standard Losses, Standard Bushing Height, Aluminum Coils, Standard Taps

1500 Kva, 65°C

High Voltage Ratings	Low Voltage Ratings	Dimensions					Transformer Total Weight in Lbs.	
		B ①	C ②	G	M	U	Oil	Inerteen
2400	480D	51.00	94.50	47.25	46.75	37.50	8550	9945
2400	480Y	54.00	85.50	42.75	49.75	36.50	8325	9660
4160	480D	51.00	98.00	49.00	46.75	37.00	8600	9935
4160	480Y	50.50	97.50	48.75	46.25	36.50	8100	9330
4800	480D	51.00	98.00	49.00	46.75	37.00	8225	9485
4800	480Y	53.50	83.50	40.75	49.25	36.50	8275	9520
6900	480D	53.50	90.50	45.25	49.25	37.50	8500	9880
6900	480Y	51.00	95.50	46.75	46.75	36.50	8675	10055
7200	480D	54.00	88.50	43.25	49.75	37.50	8600	9965
7200	480Y	54.00	92.00	45.00	49.75	37.00	8275	9625
12000	480D	52.50	93.00	45.50	48.25	38.00	8700	10080
12000	480Y	55.00	90.50	45.25	50.75	37.50	8425	9805
12470	480D	53.00	93.00	45.50	48.75	38.00	8025	9165
12470	480Y	52.50	90.50	45.25	48.25	37.50	8375	9725
13200	480D	53.50	93.00	45.50	49.25	38.00	8350	9715
13200	480Y	55.00	94.50	47.25	50.75	37.50	8500	9895
13800	480D	53.00	88.50	43.25	48.75	37.50	8725	10135
13800	480Y	53.00	90.50	45.25	48.75	37.50	8350	9685

Fixed Dimensions

A ③	D ③	J	N	Q
79.06	74.00	55.00	2.94	7.32

1500 Kva, 55°C

High Voltage Ratings	Low Voltage Ratings	Dimensions						Transformer Total Weight in Lbs.	
		A ③	B ①	C ②	G	M	U	Oil	Inerteen
2400	480D	79.06	53.50	94.00	47.00	49.25	37.00	9300	10860
2400	480Y	79.06	55.86	95.36	46.68	51.62	36.50	8900	10415
4160	480D	79.06	53.50	105.50	52.75	49.25	36.50	8850	10275
4160	480Y	79.06	54.00	103.50	50.75	49.75	36.50	8875	10300
4800	480D	79.06	54.50	102.00	51.00	50.25	37.00	8775	10200
4800	480Y	79.06	55.86	97.36	48.68	51.62	36.50	8675	10070
6900	480D	79.06	53.86	97.36	48.68	49.62	36.50	8950	10435
6900	480Y	79.06	55.36	97.86	48.94	51.12	37.00	9150	10665
7200	480D	79.06	55.36	102.36	51.18	51.12	37.50	8875	10360
7200	480Y	79.06	55.36	103.86	50.94	51.12	37.00	8775	10215
12000	480D	79.14	54.86	104.86	51.44	50.62	38.00	9050	10580
12000	480Y	79.14	55.86	106.36	53.18	51.62	37.50	8875	10375
12470	480D	79.14	54.50	111.00	55.50	50.25	38.00	9025	10540
12470	480Y	79.06	53.86	104.36	51.18	49.62	37.50	9100	10660
13200	480D	79.14	54.00	113.00	55.50	49.75	38.00	9325	10885
13200	480Y	79.06	53.50	114.00	57.00	49.25	37.00	9425	11030
13800	480D	79.14	54.50	113.00	55.50	50.25	38.00	9125	10655
13800	480Y	79.14	54.86	104.86	51.44	50.62	38.00	9325	10930

Fixed Dimensions

D ③	J	N	Q
74.00	55.00	2.94	7.32

① B Dimension ± 1.00

② C Dimension + 2.00

③ Nominal - will not exceed 90 inches.

Dimensions shown for Indoor or Outdoor Oil with OA Cooling.

For FA Cooling Add 4.75 Inches to "A" Dimension. For Inerteen Add 1.75 Inches to "A" Dimension.

Westinghouse Electric Corporation

South Boston Transformer Plant, Va.

Printed in USA

Westinghouse



Power Centers

Oil or Inerteen

Standardized, 500-2500 Kva
Three Phase, 60 Hertz

Dimensions in Inches (Approximate)
60 Hertz, Standard BIL, Standard Sound Level, Standard Impedance, Standard Losses, Standard Bushing Height, Aluminum Coils, Standard Taps

2000 Kva, 65°C

High Voltage Ratings	Low Voltage Ratings	Dimensions					Transformer Total Weight in Lbs.	
		B ^①	C ^②	G	M	U	Oil	Inerteen
4160	480D	54.86	96.86	47.44	50.62	38.00	9575	11075
4160	480Y	55.00	97.50	47.75	50.75	38.50	10000	11545
4800	480D	56.36	102.86	51.44	52.12	38.00	9450	10905
4800	480Y	56.00	101.50	49.75	51.75	38.50	9925	11425
6900	480D	58.50	91.00	45.50	54.25	38.00	10375	11950
6900	480Y	59.00	96.00	48.00	54.75	39.00	10375	11920
7200	480D	57.50	98.00	48.00	53.25	39.00	10150	11695
7200	480Y	58.50	98.00	48.00	54.25	39.00	10325	11885
12000	480D	58.00	94.00	46.00	53.75	39.00	10225	11830
12000	480Y	58.50	98.50	48.25	54.25	39.50	10475	12080
12470	480D	58.50	94.50	46.25	54.25	39.50	10325	11900
12470	480Y	57.00	94.50	46.25	52.75	39.50	10375	11995
13200	480D	58.50	94.00	46.00	54.25	39.00	10175	11750
13200	480Y	58.50	98.50	48.25	54.25	39.50	10375	11950
13800	480D	58.00	94.00	46.00	53.75	39.00	10400	12035
13800	480Y	60.00	92.50	46.25	55.75	39.50	10350	11925

Fixed Dimensions

A ^③	D ^③	J	N	Q
79.12	74.00	55.00	2.94	7.32

2000 Kva, 55°C

High Voltage Ratings	Low Voltage Ratings	Dimensions					Transformer Total Weight in Lbs.	
		B ^①	C ^②	G	M	U	Oil	Inerteen
4160	480D	56.50	105.00	51.50	52.25	38.00	10850	12590
4160	480Y	57.00	105.50	51.75	52.75	38.50	11050	12820
4800	480D	58.00	115.00	57.50	53.75	38.00	10600	12265
4800	480Y	59.00	109.50	53.75	54.75	38.50	10925	12590
6900	480D	59.50	109.00	53.50	55.25	38.00	11075	12830
6900	480Y	60.00	110.00	54.00	55.75	39.00	11100	12810
7200	480D	59.50	110.00	54.00	55.25	39.00	10900	12610
7200	480Y	59.50	110.00	54.00	55.25	39.00	11250	13005
12000	480D	59.00	110.00	54.00	54.75	39.00	11025	12780
12000	480Y	59.50	110.50	54.25	55.25	39.50	11050	12775
12470	480D	59.00	110.00	54.00	54.75	39.00	11100	12855
12470	480Y	59.00	108.50	54.25	54.75	39.50	11000	12695
13200	480D	59.00	108.00	54.00	54.75	39.00	11175	12975
13200	480Y	59.50	108.50	54.25	55.25	39.50	11275	13030
13800	480D	58.50	112.00	56.00	54.25	39.00	10950	12720
13800	480Y	60.00	104.50	52.25	55.75	39.50	11250	12990

Fixed Dimensions

A ^③	D ^③	J	N	Q
79.14	74.00	55.00	4.06	7.32

- ① B Dimension ± 1.00
- ② C Dimension + 2.00
- ③ Nominal — will not exceed 90 inches.

Dimensions shown for Indoor or Outdoor Oil with OA Cooling.
For FA Cooling Add 4.75 Inches to "A" Dimension. For Inerteen Add 1.75 Inches to "A" Dimension.

Power Centers

Oil or Inerteen

Standardized, 500-2500 Kva
Three Phase, 60 Hertz

Dimensions in Inches (Approximate)
60 Hertz, Standard BIL, Standard Sound Level, Standard Impedance, Standard Losses, Standard Bushing Height, Aluminum Coils, Standard Taps

2500 Kva, 65°C

High Voltage Ratings	Low Voltage Ratings	Dimensions					Transformer Total Weight in Lbs.	
		B ①	C ②	G	M	U	Oil	Inerteen
4160	480D	59.00	106.00	52.00	54.75	39.00	11600	13340
4160	480Y	61.00	103.00	50.50	56.75	40.00	12025	13780
4800	480D	60.50	98.00	50.50	56.25	39.00	11675	13445
4800	480Y	61.00	105.00	52.50	56.75	40.00	12200	13970
6900	480D	61.50	99.00	48.50	57.25	40.00	11900	13655
6900	480Y	63.00	97.50	48.75	58.75	40.50	12400	14185
7200	480D	61.00	105.00	52.50	56.75	40.00	11925	13695
7200	480Y	63.00	99.50	48.75	58.75	40.50	12375	14175
12000	480D	61.00	104.00	51.00	56.75	41.00	11900	13685
12000	480Y	63.00	98.50	49.25	58.75	41.50	12375	14220
12470	480D	61.00	101.00	50.50	56.75	40.00	11750	13535
12470	480Y	63.00	98.50	49.25	58.75	41.50	12500	14345
13200	480D	60.50	108.00	53.00	56.25	41.00	11950	13765
13200	480Y	63.00	96.50	47.25	58.75	41.50	12625	14470
13800	480D	61.00	104.00	51.00	56.75	41.00	11900	13685
13800	480Y	63.00	100.50	49.25	58.75	41.50	12550	14410

Fixed Dimensions

A ③	D ④	J	N	Q
79.12	74.00	55.00	4.06	7.32

2500 Kva, 55°C

High Voltage Ratings	Low Voltage Ratings	Dimensions					Transformer Total Weight in Lbs.	
		B ①	C ②	G	M	U	Oil	Inerteen
4160	480D	61.00	116.00	58.00	56.75	39.00	12525	14460
4160	480Y	62.50	107.50	52.75	58.25	40.50	13425	15450
6900	480D	62.00	112.50	56.25	57.75	39.50	12875	14870
6900	480Y	64.00	115.50	56.75	59.75	40.50	13375	15370
7200	480D	62.50	112.50	56.25	58.25	39.50	12700	14650
7200	480Y	64.00	112.00	55.00	59.75	41.00	13425	15435
12000	480D	62.50	114.00	57.00	58.25	41.00	12650	14630
12000	480Y	64.00	110.50	55.25	59.75	41.50	13325	15350
12470	480D	60.00	119.00	58.50	55.75	40.00	12900	14910
12470	480Y	63.50	105.00	51.50	59.25	42.00	13500	15540
13200	480D	61.50	112.00	55.00	57.25	41.00	12725	14705
13200	480Y	63.50	110.50	55.25	59.25	41.50	13750	15820
13800	480D	61.50	114.00	57.00	57.25	41.00	12850	14845
13800	480Y	63.00	116.50	57.25	58.75	41.50	13475	15530

Fixed Dimensions

A ③	D ④	J	N	Q
79.14	74.00	55.00	4.06	7.32

- ① B Dimension ± 1.00
- ② C Dimension + 2.00
- ③ Nominal - will not exceed 90 inches.

Dimensions shown for Indoor or Outdoor Oil with OA Cooling.
For FA Cooling Add 4.75 Inches to "A" Dimension. For Inerteen Add 1.75 Inches to "A" Dimension.

Westinghouse

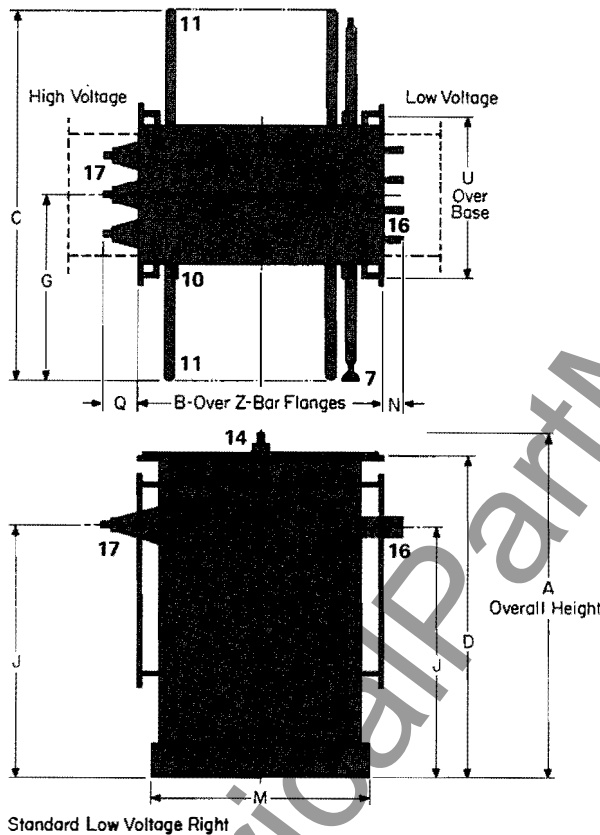


Power Centers

Oil or Inerteen

Standardized, 500-2500 Kva
Three Phase, 60 Hertz

Liquid Filled Power Center Transformers



Description: Numbers correspond to those on the drawing.

1. Tank
2. Cover — welded to tank
3. Base — jacking area at ends
4. Ground pad — 1 total
5. Drain valve — 1 inch valve for combination lower filter press connection, complete drain and provision for sampling
6. Diagram instruction plate
7. Dial type thermometer with alarm contacts when required
8. Magnetic liquid gauge with alarm contacts when required
9. Vacuum pressure gauge
10. Lifting hooks
11. Cooling tubes
12. Air test valve
13. 6½ inch dia. handhole — welded on cover or automatic reset mechanical relief device with alarm contacts
14. Tap changer operating mechanism with provision for padlocking
15. 1 inch upper filter & filling plug connection
16. L.V. bushing assembly
17. H.V. bushings — 3 total

General Information

The dimensions and weights in the following tables are for use with T. C. S. 47-376, page 1 for standard ratings as defined by standard electrical, mechanical, tests and accessories in Price List 47-320, pages 2 and 3. For specials, refer to South Boston Plant.

These Power Center Transformers are three phase, 60 Hertz, 65°C or 55°C (see tables) rise, indoor or outdoor with aluminum, rectangular sheet windings and 30°C average ambient with 40°C max. rise over 24 hours.

Outline as shown is for standard Z-Bar/Z-Bar flanges. When high voltage bus throat is required, add 9 inches to B dimension. When LV bus throat is required, add 8½ inches to B dimension. Dotted line indicates approximate location of Bus Throats if required.

Specification

Kva _____, H.V. _____, L.V. _____
 Liquid: Oil Inerteen, Rise _____ °C, Aluminum Windings,
 L.V. Right (Std.), L.V. Left, Total Transformer Weight _____

Dimensions

A	B	C	D	G	J	M	Q	N	U

Customer _____ Address _____ G.O. _____
 P.O. Number _____ Item _____ Line No. _____
 Job _____ Approval
 Reference
 Certification by South Boston only. _____ Date _____ Construction or Installation
 Other

Power Centers

Oil or Inerteen

Standardized, 500-2500 Kva
Three Phase, 60 Hertz

Dimensions in Inches (Approximate)

60 Hertz, Standard BIL, Standard Sound Level, Standard Impedance, Standard Losses, Standard Bushing Height, Aluminum Coils, Standard Taps

500 Kva, 65° C

High Voltage Ratings	Low Voltage Ratings	Dimensions					Transformer Total Weight in Lbs.	
		B ①	C ②	G	M	U	Oil	Inerteen
2400	480D	44.50	58.50	29.25	40.25	33.50	4725	5565
2400	480Y	44.50	58.00	29.00	40.25	33.00	4300	5095
2400	240D	44.50	57.50	28.75	40.25	32.50	4200	4965
2400	208Y	44.50	59.50	28.75	40.25	32.50	4325	5120
4160	480D	44.50	58.50	29.25	40.25	33.50	4675	5515
4160	480Y	44.50	58.00	29.00	40.25	33.00	4200	4980
4160	240D	44.50	57.50	28.75	40.25	32.50	4150	4900
4160	208Y	44.50	59.50	28.75	40.25	32.50	4350	5190
4800	480D	44.50	56.50	27.25	40.25	33.50	4750	5590
4800	480Y	44.50	54.00	27.00	40.25	33.00	4400	5195
4800	240D	44.50	57.50	28.75	40.25	32.50	4350	5160
4800	208Y	44.50	57.50	28.75	40.25	32.50	4375	5215
6900	480D	44.50	60.00	29.00	40.25	33.00	4600	5425
6900	480Y	44.50	61.00	29.50	40.25	34.00	4575	5430
6900	240D	44.50	59.00	29.50	40.25	34.00	4575	5415
6900	208Y	44.50	67.50	32.75	40.25	32.50	4475	5300
7200	480D	44.50	61.50	29.75	40.25	34.50	4725	5580
7200	480Y	44.50	60.00	29.00	40.25	33.00	4400	5195
7200	240D	44.50	53.50	24.75	40.25	32.50	4600	5440
7200	208Y	45.50	61.50	30.75	41.25	32.50	4450	5290
12000	480D	45.00	56.00	26.00	40.75	35.00	4950	5880
12000	480Y	45.00	62.00	30.00	40.75	35.00	4700	5600
12000	240D	45.00	61.50	29.75	40.75	34.50	4525	5380
12000	208Y	45.00	66.00	33.00	40.75	33.00	4500	5355
12470	480D	45.00	60.50	30.25	40.75	35.50	4825	5740
12470	480Y	45.00	58.50	29.25	40.75	33.50	4525	5365
12470	240D	45.00	61.50	29.75	40.75	34.50	4550	5420
12470	208Y	45.00	62.00	31.00	40.75	33.00	4725	5640
13200	480D	45.00	60.00	30.00	40.75	35.00	4850	5765
13200	480Y	45.00	58.50	29.25	40.75	33.50	4575	5430
13200	240D	45.00	61.50	29.75	40.75	34.50	4650	5535
13200	208Y	45.00	63.00	31.50	40.75	34.00	4525	5410
13800	480D	45.00	60.50	30.25	40.75	35.50	4850	5765
13800	480Y	45.00	61.50	29.75	40.75	34.50	4650	5535
13800	240D	45.00	59.50	29.75	40.75	34.50	4550	5405
13800	208Y	45.00	62.00	31.00	40.75	33.00	4700	5615

Fixed Dimensions

A ③	D ③	J	N	Q
79.06	74.00	55.00	2.94	7.32

- ① B Dimension ± 1.00
- ② C Dimension + 2.00
- ③ Nominal – will not exceed 90 inches.

Dimensions shown for Indoor or Outdoor Oil with OA Cooling.
For FA Cooling Add 4.75 Inches to "A" Dimension. For Inerteen Add 1.75 Inches to "A" Dimension.

Westinghouse



Power Centers

Oil or Inerteen

Standardized, 500-2500 Kva
Three Phase, 60 Hertz

Dimensions in Inches (Approximate)
60 Hertz, Standard BIL, Standard Sound Level, Standard Impedance, Standard Losses, Standard Bushing Height,
Aluminum Coils, Standard Taps

500 Kva, 55°C

High Voltage Ratings	Low Voltage Ratings	Dimensions					Transformer Total Weight in Lbs.	
		B ①	C ②	G	M	U	Oil	Inerteen
2400	480D	45.00	62.50	31.25	40.75	33.50	4800	5670
2400	480Y	44.50	64.00	31.00	40.25	33.00	4825	5730
2400	240D	44.50	64.00	31.00	40.25	33.00	4725	5580
2400	208Y	44.50	70.00	35.00	40.25	33.00	4775	5680
4160	480D	44.50	64.50	31.25	40.25	33.50	4875	5745
4160	480Y	44.50	66.00	33.00	40.25	33.00	4675	5530
4160	240D	44.50	66.00	33.00	40.25	33.00	4625	5465
4160	208Y	44.50	67.50	32.75	40.25	32.50	4650	5520
4800	480D	44.50	62.50	31.25	40.25	33.50	4825	5730
4800	480Y	44.50	62.00	31.00	40.25	33.00	4825	5680
4800	240D	45.00	61.50	30.75	40.75	32.50	4625	5495
4800	208Y	44.50	65.50	32.75	40.25	32.50	4900	5815
6900	480D	46.00	63.50	31.75	41.75	34.50	5050	5580
6900	480Y	45.00	67.00	33.50	40.75	34.00	5125	6070
6900	240D	44.50	64.00	31.25	40.25	33.50	5250	6210
6900	208Y	44.50	73.00	35.50	40.25	34.00	4825	5755
7200	480D	46.00	67.50	33.75	41.75	34.50	5000	5945
7200	480Y	44.50	67.00	33.50	40.25	34.00	4825	5730
7200	240D	45.00	67.00	33.50	40.75	34.00	4800	5705
7200	208Y	44.50	77.00	37.50	40.25	34.00	4700	5600
12000	480D	46.50	60.00	30.00	42.25	35.00	5100	6060
12000	480Y	45.00	70.00	34.00	40.75	35.00	4850	5780
12000	240D	45.00	71.50	35.75	40.75	34.50	4725	5625
12000	208Y	45.00	75.50	37.75	40.75	34.50	4800	5730
12470	480D	47.00	63.50	31.75	42.75	34.50	5000	5945
12470	480Y	45.00	70.00	34.00	40.75	35.00	4875	5805
12470	240D	45.00	65.50	31.75	40.75	34.50	4900	5830
12470	208Y	45.00	79.50	39.75	40.75	34.50	4850	5810
13200	480D	48.00	63.50	31.75	43.75	34.50	5150	6140
13200	480Y	45.00	65.50	31.75	40.75	34.50	4950	5880
13200	240D	45.00	69.50	33.75	40.75	34.50	4950	5910
13200	208Y	45.00	77.50	37.75	40.75	34.50	4825	5755
13800	480D	46.50	63.50	31.75	42.25	34.50	5075	6020
13800	480Y	45.00	66.00	32.00	40.75	35.00	4975	5905
13800	240D	45.00	65.50	31.75	40.75	34.50	5050	6040
13800	208Y	45.00	71.50	35.75	40.75	34.50	4950	5910

Fixed Dimensions

A ③	D ③	J	N	Q
79.06	74.00	55.00	2.94	7.32

- ① B Dimension ± 1.00
- ② C Dimension + 2.00
- ③ Nominal - will not exceed 90 inches.

Dimensions shown for Indoor or Outdoor Oil with OA Cooling.
For FA Cooling Add 4.75 Inches to "A" Dimension. For Inerteen Add 1.75 Inches to "A" Dimension.

June, 1971

Supersedes TCS 47-376, pages 3 and 4, dated January, 1967.
E, D/2082/DB

Power Centers

Oil or Inerteen

Standardized, 500-2500 Kva
Three Phase, 60 Hertz

Dimensions in Inches (Approximate)

60 Hertz, Standard BIL, Standard Sound Level, Standard Impedance, Standard Losses, Standard Bushing Height, Aluminum Coils, Standard Taps

750 Kva, 65° C

High Voltage Ratings	Low Voltage Ratings	Dimensions					Transformer Total Weight in Lbs.	
		B ①	C ②	G	M	U	Oil	Inerteen
2400	480D	45.00	77.50	37.75	40.75	34.50	5425	6355
2400	480Y	44.50	75.00	37.50	40.25	34.00	5250	6155
2400	240D	44.50	79.50	38.75	40.25	36.50	5500	6490
2400	208Y	45.00	81.50	40.75	40.75	36.50	5450	6410
4160	480D	45.50	75.50	37.75	41.25	34.50	5425	6370
4160	480Y	44.50	76.50	37.25	40.25	33.50	5250	6155
4160	240D	44.50	77.50	38.75	40.25	36.50	5325	6270
4160	208Y	44.50	81.50	40.75	40.25	36.50	5475	6435
4800	480D	45.00	75.50	37.75	40.75	34.50	5400	6330
4800	480Y	44.50	81.00	39.50	40.25	34.00	5200	6070
4800	240D	44.50	77.50	38.75	40.25	36.50	5525	6500
4800	208Y	44.50	79.50	38.75	40.25	36.50	5600	6620
6900	480D	46.50	73.00	36.50	42.25	36.00	5750	6770
6900	480Y	47.00	70.50	34.25	42.75	35.50	5625	6600
6900	240D	46.00	75.50	36.75	41.75	36.50	5675	6665
6900	208Y	46.00	77.50	38.75	41.75	36.50	5675	6695
7200	480D	47.50	69.00	34.50	43.25	36.00	5850	6885
7200	480Y	47.50	66.50	32.25	43.25	35.50	5825	6860
7200	240D	47.00	65.50	32.75	42.75	36.50	5750	6800
7200	208Y	46.00	77.50	38.75	41.75	36.50	5625	6630
12000	480D	46.50	73.00	36.50	42.25	36.00	5725	6745
12000	480Y	46.50	69.00	34.50	42.25	36.00	5600	6590
12000	240D	46.50	69.50	34.75	42.25	36.50	5625	6630
12000	208Y	46.00	77.50	38.75	41.75	36.50	5700	6720
12470	480D	46.50	73.00	36.50	42.25	36.00	5725	6715
12470	480Y	46.00	80.50	40.25	41.75	35.50	5500	6475
12470	240D	46.00	81.50	40.75	41.75	36.50	5575	6565
12470	208Y	45.50	75.50	36.75	41.25	36.50	5600	6605
13200	480D	47.00	67.00	32.50	42.75	36.00	5875	6910
13200	480Y	46.00	75.00	36.50	41.75	36.00	5600	6560
13200	240D	46.50	69.50	34.75	42.25	36.50	5550	6540
13200	208Y	45.50	75.50	36.75	41.25	36.50	5550	6540
13800	480D	46.50	71.00	34.50	42.25	36.00	5750	6755
13800	480Y	47.00	71.00	34.50	42.75	36.00	5775	6795
13800	240D	46.00	75.50	36.75	41.75	36.50	5725	6730
13800	208Y	46.00	77.50	38.75	41.75	36.50	5725	6760

Fixed Dimensions

A ③	D ③	J	N	Q
79.06	74.00	55.00	2.94	7.32

- ① B Dimension ± 1.00
- ② C Dimension + 2.00
- ③ Nominal — will not exceed 90 inches.

Dimensions shown for Indoor or Outdoor Oil with OA Cooling.
For FA Cooling Add 4.75 Inches to "A" Dimension. For Inerteen Add 1.75 Inches to "A" Dimension.

Westinghouse



Power Centers

Oil or Inerteen

Standardized, 500-2500 Kva
Three Phase, 60 Hertz

Dimensions in Inches (Approximate)
60 Hertz, Standard BIL, Standard Sound Level, Standard Impedance, Standard Losses, Standard Bushing Height,
Aluminum Coils, Standard Taps

750 Kva, 55° C

High Voltage Ratings	Voltage Voltage Ratings	Dimensions					Transformer Total Weight in Lbs.	
		B ①	C ②	G	M	U	Oil	Inerteen
2400	480D	47.50	83.00	41.50	43.25	34.00	6025	7090
2400	480Y	48.00	81.00	39.50	43.75	34.00	5850	6885
2400	240D	47.50	83.50	40.75	43.25	36.50	5975	7100
2400	208Y	47.00	85.50	42.75	42.75	36.50	6000	7110
4160	480D	48.00	81.00	39.50	43.75	34.00	6125	7220
4160	480Y	46.50	81.00	39.50	42.25	34.00	5925	6945
4160	240D	48.00	77.50	38.75	43.75	36.50	5925	7035
4160	208Y	47.50	85.50	42.75	43.25	36.50	5925	7005
4800	480D	46.50	85.50	41.75	42.25	34.50	5950	7000
4800	480Y	46.00	87.00	43.50	41.75	34.00	5725	6715
4800	240D	46.50	85.50	42.75	42.25	36.50	5975	7070
4800	208Y	47.50	83.50	40.75	43.25	36.50	6100	7210
6900	480D	48.00	82.50	40.25	43.75	35.50	6275	7400
6900	480Y	49.00	81.00	40.50	44.75	36.00	6075	7185
6900	240D	47.00	87.50	42.75	42.75	36.50	5850	6915
6900	208Y	47.50	85.50	42.75	43.25	36.50	6075	7200
7200	480D	49.00	79.00	38.50	44.75	36.00	6150	7275
7200	480Y	48.00	82.50	40.25	43.75	35.50	6125	7235
7200	240D	48.50	81.50	40.75	44.25	36.50	6150	7305
7200	208Y	47.50	83.50	40.75	43.25	36.50	6125	7265
12000	480D	49.50	83.00	40.50	45.25	36.00	6300	7455
12000	480Y	49.50	79.00	38.50	45.25	36.00	6050	7160
12000	240D	48.50	81.50	40.75	44.25	36.50	5950	7060
12000	208Y	47.50	87.50	42.75	43.25	36.50	6200	7340
12470	480D	48.00	83.00	40.50	43.75	36.00	6225	7350
12470	480Y	49.50	77.00	38.50	45.25	36.00	6100	7210
12470	240D	48.00	85.50	42.75	43.75	36.50	5850	6945
12470	208Y	48.50	81.50	40.75	44.25	36.50	6250	7405
13200	480D	49.50	81.00	40.50	45.25	36.00	6275	7430
13200	480Y	48.00	80.50	40.25	43.75	35.50	6225	7350
13200	240D	48.00	77.50	38.75	43.75	36.50	6200	7355
13200	208Y	48.00	85.50	42.75	43.75	36.50	6125	7265
13800	480D	49.50	77.00	38.50	45.25	36.00	6375	7530
13800	480Y	49.00	81.00	40.50	44.75	36.00	6125	7250
13800	240D	49.00	83.50	40.75	44.75	36.50	6150	7305
13800	208Y	48.00	85.50	42.75	43.75	36.50	6175	7330

Fixed Dimensions

A ③	D ②	J	N	Q
79.06	74.00	55.00	2.94	7.32

- ① B Dimension ± 1.00
- ② C Dimension + 2.00
- ③ Nominal - will not exceed 90 inches.

Dimensions shown for Indoor or Outdoor Oil with OA Cooling.

For FA Cooling Add 4.75 Inches to "A" Dimension. For Inerteen Add 1.75 Inches to "A" Dimension.

June, 1971

Supersedes TCS 47-376, pages 5 and 6, dated January, 1967.
E, D/2082/DB

Power Centers

Oil or Inerteen

Standardized, 500-2500 Kva
Three Phase, 60 Hertz

Dimensions in Inches (Approximate)

60 Hertz, Standard BIL, Standard Sound Level, Standard Impedance, Standard Losses, Standard Bushing Height, Aluminum Coils, Standard Taps

1000 Kva, 65°C

High Voltage Ratings	Low Voltage Ratings	Dimensions						Transformer Total Weight in Lbs.	
		B ①	C ②	G	M	U	N	Oil	Inerteen
2400	480D	47.50	84.00	42.00	43.25	35.00	2.94	6650	7745
2400	480Y	46.00	91.50	45.75	41.75	34.50	2.94	6225	7245
2400	240D	46.00	95.50	46.75	41.75	36.50	2.94	6525	7620
2400	208Y	51.50	81.50	40.75	47.25	36.50	4.06	6975	8265
4160	480D	49.00	78.50	38.25	44.75	35.50	2.94	6650	7760
4160	480Y	48.50	80.00	40.00	44.25	35.00	2.94	6500	7565
4160	240D	46.50	85.50	42.75	42.25	36.50	2.94	6375	7455
4160	208Y	53.00	71.50	34.75	48.75	36.50	4.06	7150	8425
4800	480D	48.00	80.00	40.00	43.75	35.00	2.94	6600	7710
4800	480Y	46.50	86.00	42.00	42.25	35.00	2.94	6425	7445
4800	240D	46.50	81.50	40.75	42.25	36.50	2.94	6375	7455
4800	208Y	51.50	81.50	40.75	47.25	36.50	4.06	6975	8250
6900	480D	50.50	81.50	40.75	46.25	36.50	2.94	6725	7880
6900	480Y	48.50	79.00	38.50	44.25	36.00	2.94	6650	7760
6900	240D	49.50	81.50	40.75	45.25	36.50	2.94	6675	7800
6900	208Y	53.50	75.50	36.75	49.25	36.50	4.06	6900	8130
7200	480D	50.00	81.00	40.50	45.75	36.00	2.94	6925	8110
7200	480Y	48.50	83.00	40.50	44.25	36.00	2.94	6575	7685
7200	240D	49.00	77.50	38.75	44.75	36.50	2.94	6700	7825
7200	208Y	53.00	75.50	36.75	48.75	36.50	4.06	6800	8000
12000	480D	50.50	81.50	40.75	46.25	36.50	2.94	6725	7880
12000	480Y	50.50	80.00	39.00	46.25	37.00	2.94	6750	7920
12000	240D	49.00	79.50	38.75	44.75	36.50	2.94	6675	7785
12000	208Y	53.00	81.50	40.75	48.75	36.50	4.06	6975	8235
12470	480D	49.50	79.50	38.75	45.25	36.50	2.94	6725	7880
12470	480Y	46.50	74.50	36.25	42.25	35.50	2.94	6975	8145
12470	240D	49.50	79.50	38.75	45.25	36.50	2.94	6775	7930
12470	208Y	53.00	79.50	38.75	48.75	36.50	4.06	7100	8390
13200	480D	50.00	85.50	42.75	45.75	36.50	2.94	6775	7945
13200	480Y	48.00	79.00	38.50	43.75	36.00	2.94	6600	7695
13200	240D	50.00	79.50	38.75	45.75	36.50	2.94	6700	7840
13200	208Y	53.50	77.50	38.75	49.25	36.50	4.06	6825	8040
13800	480D	50.00	81.50	40.75	45.75	36.50	2.94	6875	8060
13800	480Y	49.00	81.00	40.50	44.75	36.00	2.94	6800	7955
13800	240D	48.00	85.50	42.75	43.75	36.50	2.94	6525	7620
13800	208Y	53.00	71.50	34.75	48.75	36.50	4.06	6975	8190

Fixed Dimensions

A ③	D ③	J	Q
79.06	74.00	55.00	7.32

- ① B Dimension ± 1.00
- ② C Dimension + 2.00
- ③ Nominal — will not exceed 90 inches.

Dimensions shown for Indoor or Outdoor Oil with OA Cooling.
For FA Cooling Add 4.75 Inches to "A" Dimension. For Inerteen Add 1.75 Inches to "A" Dimension.

Westinghouse



Power Centers

Oil or Inerteen

Standardized, 500-2500 Kva
Three Phase, 60 Hertz

Dimensions in Inches (Approximate)
60 Hertz, Standard BIL, Standard Sound Level, Standard Impedance, Standard Losses, Standard Bushing Height,
Aluminum Coils, Standard Taps

1000 Kva, 55°C

High Voltage Ratings	Low Voltage Ratings	Dimensions						Transformer Total Weight in Lbs.	
		B ①	C ②	G	M	U	N	Oil	Inerteen
2400	480D	50.50	94.00	46.00	46.25	35.00	2.94	6875	8075
2400	480Y	50.50	91.50	45.75	46.25	34.50	2.94	6975	8190
2400	240D	50.50	93.50	46.75	46.25	36.50	4.06	7175	8465
2400	208Y	52.50	95.50	46.75	48.25	36.50	4.06	7375	8695
4160	480D	50.00	99.50	49.75	45.75	34.50	2.94	6850	8035
4160	480Y	50.50	94.00	46.00	46.25	35.00	2.94	6800	7985
4160	240D	50.00	93.50	46.75	45.75	36.50	4.06	6850	8065
4160	208Y	53.00	91.50	44.75	48.75	36.50	4.06	7650	9075
4800	480D	50.00	97.50	47.75	45.75	34.50	2.94	6875	8060
4800	480Y	51.50	99.50	48.75	44.75	36.50	2.94	6950	8150
4800	240D	49.00	99.50	48.75	44.75	36.50	4.06	6975	8220
4800	208Y	52.50	95.50	46.75	48.25	36.50	4.06	7325	8630
6900	480D	51.00	91.00	44.50	46.75	36.00	2.94	7075	8335
6900	480Y	51.50	93.00	46.50	47.25	36.00	2.94	7100	8360
6900	240D	50.50	93.50	46.75	46.25	36.50	4.06	7000	8230
6900	208Y	54.00	89.50	44.75	49.75	36.50	4.06	7675	9070
7200	480D	51.00	93.00	46.50	46.75	36.00	2.94	7275	8565
7200	480Y	51.50	88.50	44.25	47.25	35.50	2.94	7350	8670
7200	240D	51.00	99.50	48.75	46.75	36.50	4.06	7100	8360
7200	208Y	56.00	90.00	45.00	51.75	37.00	4.06	7650	9000
12000	480D	51.00	95.00	46.50	46.75	36.00	2.94	7175	8450
12000	480Y	51.00	95.00	46.50	46.75	36.00	2.94	7125	8370
12000	240D	51.00	95.50	46.75	46.75	36.50	4.06	7050	8310
12000	208Y	52.50	87.50	42.75	48.25	36.50	4.06	7750	9190
12470	480D	52.50	85.50	42.75	48.25	36.50	2.94	7325	8645
12470	480Y	51.00	93.00	46.50	46.75	36.00	2.94	7175	8450
12470	240D	51.50	87.50	42.75	47.25	36.50	4.06	7275	8580
12470	208Y	53.50	89.50	44.75	49.25	36.50	4.06	7525	8890
13200	480D	51.00	97.00	48.50	46.75	36.00	2.94	7075	8320
13200	480Y	51.00	99.00	48.50	46.75	36.00	2.94	7100	8360
13200	240D	51.00	95.50	46.75	46.75	36.50	4.06	7000	8230
13200	208Y	53.50	91.50	44.75	49.25	36.50	4.06	7550	8930
13800	480D	52.00	91.50	44.75	47.75	36.50	2.94	7250	8555
13800	480Y	51.00	93.00	46.50	46.75	36.00	2.94	7150	8425
13800	240D	51.00	99.50	48.75	46.75	36.50	4.06	7200	8475
13800	208Y	54.50	89.50	44.75	50.25	36.50	4.06	7675	9055

Fixed Dimensions

A ③	D ③	J	Q
79.06	74.00	55.00	7.32

- ① B Dimension ± 1.00
- ② C Dimension + 2.00
- ③ Nominal — will not exceed 90 inches.

Dimensions shown for Indoor or Outdoor Oil with OA Cooling.
For FA Cooling Add 4.75 Inches to "A" Dimension. For Inerteen Add 1.75 Inches to "A" Dimension.

Power Centers

Oil or Inerteen

Standardized, 500-2500 Kva
Three Phase, 60 Hertz

Dimensions in Inches (Approximate)
60 Hertz, Standard BIL, Standard Sound Level, Standard Impedance, Standard Losses, Standard Bushing Height,
Aluminum Coils, Standard Taps

1500 Kva, 65°C

High Voltage Ratings	Low Voltage Ratings	Dimensions					Transformer Total Weight in Lbs.	
		B ①	C ②	G	M	U	Oil	Inerteen
2400	480D	51.00	94.50	47.25	46.75	37.50	8550	9945
2400	480Y	54.00	85.50	42.75	49.75	36.50	8325	9660
4160	480D	51.00	98.00	49.00	46.75	37.00	8600	9935
4160	480Y	50.50	97.50	48.75	46.25	36.50	8100	9330
4800	480D	51.00	98.00	49.00	46.75	37.00	8225	9485
4800	480Y	53.50	83.50	40.75	49.25	36.50	8275	9520
6900	480D	53.50	90.50	45.25	49.25	37.50	8500	9880
6900	480Y	51.00	95.50	46.75	46.75	36.50	8675	10055
7200	480D	54.00	88.50	43.25	49.75	37.50	8600	9965
7200	480Y	54.00	92.00	45.00	49.75	37.00	8275	9625
12000	480D	52.50	93.00	45.50	48.25	38.00	8700	10080
12000	480Y	55.00	90.50	45.25	50.75	37.50	8425	9805
12470	480D	53.00	93.00	45.50	48.75	38.00	8025	9165
12470	480Y	52.50	90.50	45.25	48.25	37.50	8375	9725
13200	480D	53.50	93.00	45.50	49.25	38.00	8350	9715
13200	480Y	55.00	94.50	47.25	50.75	37.50	8500	9895
13800	480D	53.00	88.50	43.25	48.75	37.50	8725	10135
13800	480Y	53.00	90.50	45.25	48.75	37.50	8350	9685

Fixed Dimensions

A ③	D ③	J	N	Q
79.06	74.00	55.00	2.94	7.32

1500 Kva, 55°C

High Voltage Ratings	Low Voltage Ratings	Dimensions						Transformer Total Weight in Lbs.	
		A ③	B ①	C ②	G	M	U	Oil	Inerteen
2400	480D	79.06	53.50	94.00	47.00	49.25	37.00	9300	10860
2400	480Y	79.06	55.86	95.36	46.68	51.62	36.50	8900	10415
4160	480D	79.06	53.50	105.50	52.75	49.25	36.50	8850	10275
4160	480Y	79.06	54.00	103.50	50.75	49.75	36.50	8875	10300
4800	480D	79.06	54.50	102.00	51.00	50.25	37.00	8775	10200
4800	480Y	79.06	55.86	97.36	48.68	51.62	36.50	8675	10070
6900	480D	79.06	53.86	97.36	48.68	49.62	36.50	8950	10435
6900	480Y	79.06	55.36	97.86	48.94	51.12	37.00	9150	10665
7200	480D	79.06	55.36	102.36	51.18	51.12	37.50	8875	10360
7200	480Y	79.06	55.36	103.86	50.94	51.12	37.00	8775	10215
12000	480D	79.14	54.86	104.86	51.44	50.62	38.00	9050	10580
12000	480Y	79.14	55.86	106.36	53.18	51.62	37.50	8875	10375
12470	480D	79.14	54.50	111.00	55.50	50.25	38.00	9025	10540
12470	480Y	79.06	53.86	104.36	51.18	49.62	37.50	9100	10660
13200	480D	79.14	54.00	113.00	55.50	49.75	38.00	9325	10885
13200	480Y	79.06	53.50	114.00	57.00	49.25	37.00	9425	11030
13800	480D	79.14	54.50	113.00	55.50	50.25	38.00	9125	10655
13800	480Y	79.14	54.86	104.86	51.44	50.62	38.00	9325	10930

Fixed Dimensions

D ③	J	N	Q
74.00	55.00	2.94	7.32

① B Dimension ± 1.00

② C Dimension + 2.00

③ Nominal — will not exceed 90 inches.

Dimensions shown for Indoor or Outdoor Oil with OA Cooling.

For FA Cooling Add 4.75 Inches to "A" Dimension. For Inerteen Add 1.75 Inches to "A" Dimension.

Westinghouse



Power Centers

Oil or Inerteen

Standardized, 500-2500 Kva
Three Phase, 60 Hertz

**Dimensions in Inches (Approximate)
60 Hertz, Standard BIL, Standard Sound Level, Standard Impedance, Standard Losses, Standard Bushing Height,
Aluminum Coils, Standard Taps**

2000 Kva, 65°C

High Voltage Ratings	Low Voltage Ratings	Dimensions					Transformer Total Weight in Lbs.	
		B ●	C ②	G	M	U	Oil	Inerteen
4160	480D	54.86	96.86	47.44	50.62	38.00	9575	11075
4160	480Y	55.00	97.50	47.75	50.75	38.50	10000	11545
4800	480D	56.36	102.86	51.44	52.12	38.00	9450	10905
4800	480Y	56.00	101.50	49.75	51.75	38.50	9925	11425
6900	480D	58.50	91.00	45.50	54.25	38.00	10375	11950
6900	480Y	59.00	96.00	48.00	54.75	39.00	10375	11920
7200	480D	57.50	98.00	48.00	53.25	39.00	10150	11695
7200	480Y	58.50	98.00	48.00	54.25	39.00	10325	11885
12000	480D	58.00	94.00	46.00	53.75	39.00	10225	11830
12000	480Y	58.50	98.50	48.25	54.25	39.50	10475	12080
12470	480D	58.50	94.50	46.25	54.25	39.50	10325	11900
12470	480Y	57.00	94.50	46.25	52.75	39.50	10375	11995
13200	480D	58.50	94.00	46.00	54.25	39.00	10175	11750
13200	480Y	58.50	98.50	48.25	54.25	39.50	10375	11950
13800	480D	58.00	94.00	46.00	53.75	39.00	10400	12035
13800	480Y	60.00	92.50	46.25	55.75	39.50	10350	11925

Fixed Dimensions

A ③	D ③	J	N	Q
79.12	74.00	55.00	2.94	7.32

2000 Kva, 55°C

High Voltage Ratings	Low Voltage Ratings	Dimensions					Transformer Total Weight in Lbs.	
		B ①	C ②	G	M	U	Oil	Inerteen
4160	480D	56.50	105.00	51.50	52.25	38.00	10850	12590
4160	480Y	57.00	105.50	51.75	52.75	38.50	11050	12820
4800	480D	58.00	115.00	57.50	53.75	38.00	10600	12265
4800	480Y	59.00	109.50	53.75	54.75	38.50	10925	12590
6900	480D	59.50	109.00	53.50	55.25	38.00	11075	12830
6900	480Y	60.00	110.00	54.00	55.75	39.00	11100	12810
7200	480D	59.50	110.00	54.00	55.25	39.00	10900	12610
7200	480Y	59.50	110.00	54.00	55.25	39.00	11250	13005
12000	480D	59.00	110.00	54.00	54.75	39.00	11025	12780
12000	480Y	59.50	110.50	54.25	55.25	39.50	11050	12775
12470	480D	59.00	110.00	54.00	54.75	39.00	11100	12855
12470	480Y	59.00	108.50	54.25	54.75	39.50	11000	12695
13200	480D	59.00	108.00	54.00	54.75	39.00	11175	12975
13200	480Y	59.50	108.50	54.25	55.25	39.50	11275	13030
13800	480D	58.50	112.00	56.00	54.25	39.00	10950	12720
13800	480Y	60.00	104.50	52.25	55.75	39.50	11250	12990

Fixed Dimensions

A ③	D ③	J	N	Q
79.14	74.00	55.00	4.06	7.32

- ① B Dimension ± 1.00
- ② C Dimension + 2.00
- ③ Nominal – will not exceed 90 inches.

Dimensions shown for Indoor or Outdoor Oil with OA Cooling.
For FA Cooling Add 4.75 inches to "A" Dimension. For Inerteen Add 1.75 Inches to "A" Dimension.

Power Centers

Oil or Inerteen

Standardized, 500-2500 Kva
Three Phase, 60 Hertz

Dimensions in Inches (Approximate)
60 Hertz, Standard BIL, Standard Sound Level, Standard Impedance, Standard Losses, Standard Bushing Height, Aluminum Coils, Standard Taps

2500 Kva, 65°C

High Voltage Ratings	Low Voltage Ratings	Dimensions					Transformer Total Weight in Lbs.	
		B ①	C ②	G	M	U	Oil	Inerteen
4160	480D	59.00	106.00	52.00	54.75	39.00	11600	13340
4160	480Y	61.00	103.00	50.50	56.75	40.00	12025	13780
4800	480D	60.50	98.00	50.50	56.25	39.00	11675	13445
4800	480Y	61.00	105.00	52.50	56.75	40.00	12200	13970
6900	480D	61.50	99.00	48.50	57.25	40.00	11900	13655
6900	480Y	63.00	97.50	48.75	58.75	40.50	12400	14185
7200	480D	61.00	105.00	52.50	56.75	40.00	11925	13695
7200	480Y	63.00	99.50	48.75	58.75	40.50	12375	14175
12000	480D	61.00	104.00	51.00	56.75	41.00	11900	13685
12000	480Y	63.00	98.50	49.25	58.75	41.50	12375	14220
12470	480D	61.00	101.00	50.50	56.75	40.00	11750	13535
12470	480Y	63.00	98.50	49.25	58.75	41.50	12500	14345
13200	480D	60.50	108.00	53.00	56.25	41.00	11950	13765
13200	480Y	63.00	96.50	47.25	58.75	41.50	12625	14470
13800	480D	61.00	104.00	51.00	56.75	41.00	11900	13685
13800	480Y	63.00	100.50	49.25	58.75	41.50	12550	14410

Fixed Dimensions

A ③	D ③	J	N	Q
79.12	74.00	55.00	4.06	7.32

2500 Kva, 55°C

High Voltage Ratings	Low Voltage Ratings	Dimensions					Transformer Total Weight in Lbs.	
		B ①	C ②	G	M	U	Oil	Inerteen
4160	480D	61.00	116.00	58.00	56.75	39.00	12525	14460
4160	480Y	62.50	107.50	52.75	58.25	40.50	13425	15450
6900	480D	62.00	112.50	56.25	57.75	39.50	12875	14870
6900	480Y	64.00	115.50	56.75	59.75	40.50	13375	15370
7200	480D	62.50	112.50	56.25	58.25	39.50	12700	14650
7200	480Y	64.00	112.00	55.00	59.75	41.00	13425	15435
12000	480D	62.50	114.00	57.00	58.25	41.00	12650	14630
12000	480Y	64.00	110.50	55.25	59.75	41.50	13325	15350
12470	480D	60.00	119.00	58.50	55.75	40.00	12900	14910
12470	480Y	63.50	105.00	51.50	59.25	42.00	13500	15540
13200	480D	61.50	112.00	55.00	57.25	41.00	12725	14705
13200	480Y	63.50	110.50	55.25	59.25	41.50	13750	15820
13800	480D	61.50	114.00	57.00	57.25	41.00	12850	14845
13800	480Y	63.00	116.50	57.25	58.75	41.50	13475	15530

Fixed Dimensions

A ③	D ③	J	N	Q
79.14	74.00	55.00	4.06	7.32

- ① B Dimension ± 1.00
- ② C Dimension + 2.00
- ③ Nominal — will not exceed 90 inches.

Dimensions shown for Indoor or Outdoor Oil with OA Cooling.
For FA Cooling Add 4.75 Inches to "A" Dimension. For Inerteen Add 1.75 Inches to "A" Dimension.